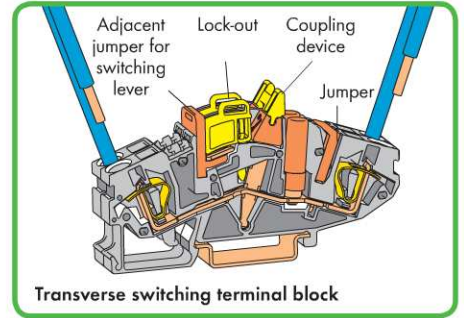
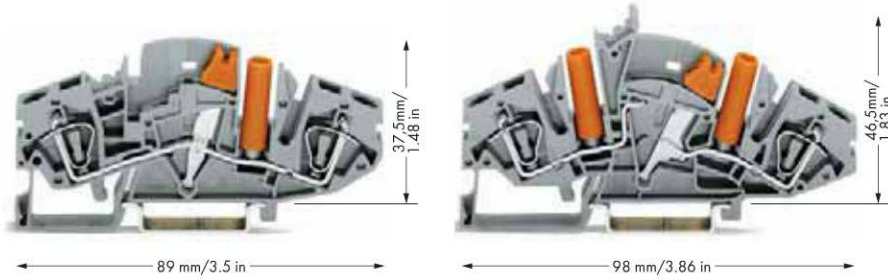


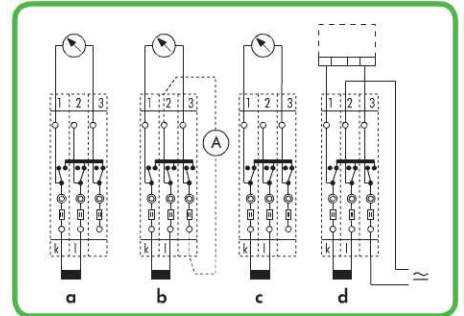
Transverse Switching Terminal Blocks and Longitudinal Switching Disconnect Terminal Blocks Series 282

<p>0.2 – 6 mm² 500 V/6 kV/3 I_N 30 A</p> <p>Terminal block width 8 mm / 0.315 in 12 – 13 mm / 0.49 in</p> <p>Approvals</p>	<p>AWG 24 – 10 600 V, 30 A</p>	<p>0.2 – 6 mm² 500 V/6 kV/3 I_N 30 A</p> <p>Terminal block width 8 mm / 0.315 in 12 – 13 mm / 0.49 in</p> <p>Approvals</p>	<p>AWG 24 – 10 600 V, 30 A</p>	<p>Application notes</p>
---	------------------------------------	---	------------------------------------	--------------------------

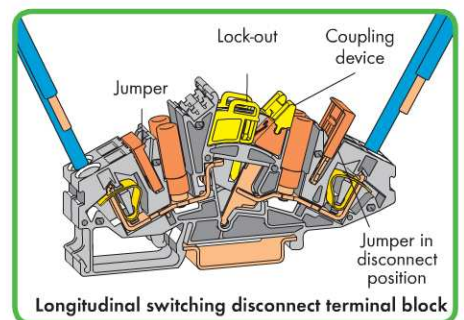


Color	Item No.	PU	Color	Item No.	PU
2-conductor transverse switching terminal block, with (orange) touchproof test socket Ø 4 mm/0.157 in gray			2-cond. longitudinal switching disc. term. block, with (orange) touchproof test sockets Ø 4 mm/0.157 in gray		
	282-811	20		282-821	20
End and separator plate, 1.5 mm/0.059 in thick			End and separator plate, 1.5 mm/0.059 in thick		
	orange 282-366	50 (2 x 25)		orange 282-365	50 (2 x 25)
	gray 282-361	50 (2 x 25)		gray 282-360	50 (2 x 25)
Accessories, Series 282 Appropriate marking systems: WMB/WSB/WCB/Miniature WSB					
Lock-out, for switching lever			Lock-out, for switching lever		
	yellow 282-370	100 (4 x 25)		yellow 282-370	100 (4 x 25)
Coupling device, yellow, to interlink several switching levers			Coupling device, yellow, to interlink several switching levers		
	2-way 282-372	50 (5 x 10)		2-way 282-372	50 (5 x 10)
	3-way 282-373	50 (5 x 10)		3-way 282-373	50 (5 x 10)
	4-way 282-374	50 (5 x 10)		4-way 282-374	50 (5 x 10)
Jumper, insulated, I _N 30 A, orange			Jumper, insulated, I _N 30 A, orange		
	2-way 282-432	50 (5 x 10)		2-way 282-432	50 (5 x 10)
	3-way 282-433	50 (5 x 10)		3-way 282-433	50 (5 x 10)
	10-way 282-440	50 (5 x 10)		10-way 282-440	50 (5 x 10)
Special version; e.g., 1–3–5 on request			Special version; e.g., 1–3–5 on request		
Adjacent jumper for switching lever, insulated, I _N 30 A,			Collective carrier for jumpers,		
	2-way 282-442	50 (5 x 10)		282-369	25
	3-way 282-443	50 (5 x 10)			
	4-way 282-444	50 (5 x 10)			
Protective warning marker, with high-voltage symbol, for 5 terminal blocks			Protective warning marker, with high-voltage symbol, for 5 terminal blocks		
	yellow 282-415	100 (4 x 25)		yellow 282-415	100 (4 x 25)
Banana plugs, only for protective extra-low voltage (42V)			Operating tool, with partially insulated shaft (5.5 x 0.8) mm/(0.21 x 0.031) in		
	black 215-311	50		210-721	1
	red 215-212	50			
	blue 215-711	50			
Other colors and technical data see page 181					
Operating sticker			Operating sticker		
	210-424	100		210-423	100
WMB Multi marking system, 10 strips with 10 markers,					
	with printing	blue	U/V (50 each)	794-5554/000-006	1 card
		yellow	k/I (50 each)	794-5553/000-002	1 card
		white	1...10 (10 each)	793-5502	5 cards
		white	11...20 (10 each)	793-5503	5 cards

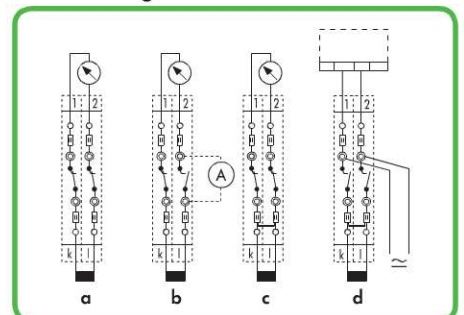
Current transformer circuit with transverse switching terminal blocks



a = Normal operation b = Measured value test
c = Transformer short-circuit d = Relay test



Current transformer circuit with longitudinal switching disconnect terminal blocks


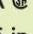




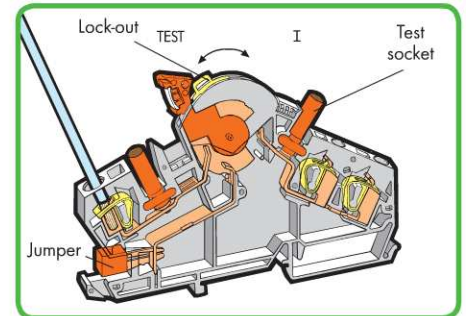
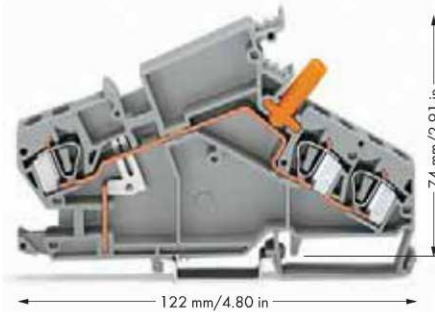
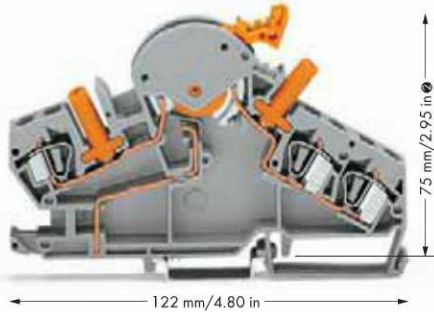
a = Normal operation b = Measured value test
c = Transformer short-circuit d = Relay test

Approvals are available online at: www.wago.com.

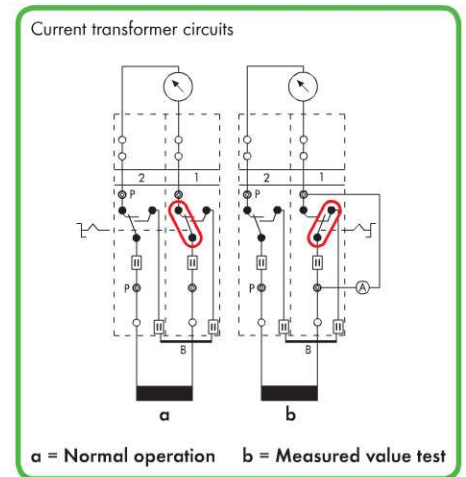
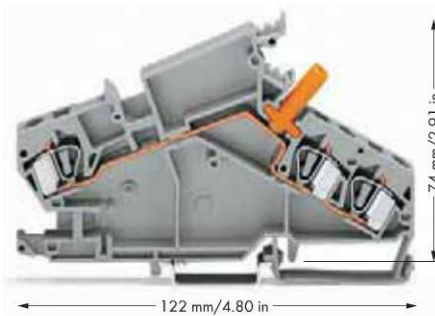
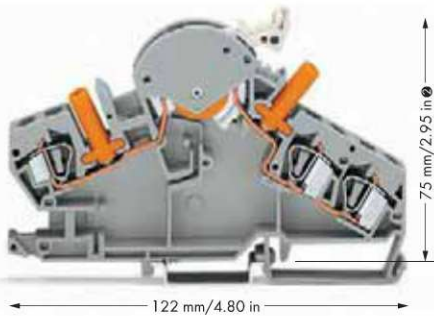
For technical explanations and abbreviations, see technical section.

Disconnect Terminal Blocks for Test and Measurement Series 282

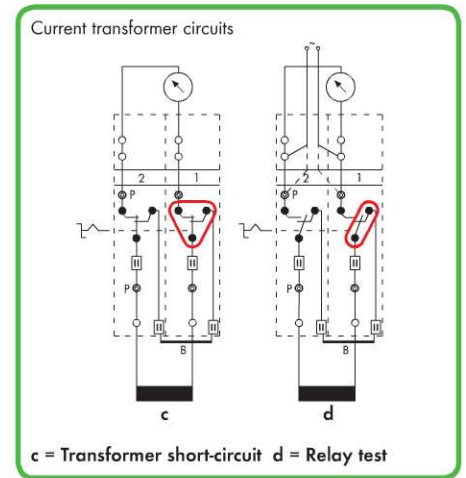
<p>0.2 – 6 mm² 500 V/6 kV/3 I_N 30 A</p> <p>Terminal block width 8 mm / 0.315 in 12 – 13 mm / 0.49 in</p> <p>① Approvals</p>	<p>AWG 24 – 10 600 V, 30 A  600 V, 30 A </p>	<p>0.2 – 6 mm² 500 V/6 kV/3 I_N 30 A</p> <p>Terminal block width 8 mm / 0.315 in 12 – 13 mm / 0.49 in</p> <p>① Approvals</p>	<p>AWG 24 – 10 600 V, 30 A  600 V, 30 A </p>	<p>Application notes</p>
---	--	---	--	--------------------------



Color	Item No.	PU	Color	Item No.	PU
Disconnect/test terminal block, for current transformer circuits, with (orange) touchproof test sockets, Ø 4 mm/0.157 in, orange disconnect link			Through terminal block, for current transformer circuits, with touchproof test socket, Ø 4 mm/0.157 in		
gray	282-870	20	gray	282-865	20



Color	Item No.	PU	Color	Item No.	PU
Disconnect/test terminal blocks, for current transformer circuits, with touchproof test sockets, Ø 4 mm/0.157 in, light gray disconnect link			Through terminal block, for current transformer circuits, with touchproof test socket, Ø 4 mm/0.157 in		
gray	282-860	20	gray	282-866	20
green-yellow	282-868	20			
(with ground foot)					
End plate, for disconnect/test terminal blocks, 1.5 mm/0.059 in thick			End plate, for through terminal blocks, 1.5 mm/0.059 in thick		
	orange	282-387 50 (5 x 10)		orange	282-385 50 (5 x 10)
	gray	282-392 50 (5 x 10)		gray	282-390 50 (5 x 10)



Accessories, Series 282		Appropriate marking systems: WMB/WSB			
Adjacent jumper	gray 282-402 100 (4 x 25) orange 282-424 100 (4 x 25)	Wire comming chain, insulated, black, 4 connections, 24 A, 2.5 mm ²	3 x 80 mm/3.15 in 709-110 1		
Lock-out,	for disconnect link yellow 282-384 100 (5 x 20)	Wire comming chain, insulated, black, 3 connections, 24 A, 2.5 mm ²	2 x 90 mm/3.54 in 709-111 1 2 x 150 mm/5.91 in 709-112 1		
Interlocking link, for mechanical locking of several fuse holders,	1 m/3'3" long, transparent 210-254 1	Protective warning marker, with high-voltage symbol, for 5 terminal blocks	yellow 282-415 100 (4 x 25)		
Locking cover, for mechanical locking of several links	transparent 1 pole 282-881 50 (5 x 10) : : 4 poles 282-884 50 (5 x 10)	Banana plugs, only for protective extra-low voltage (42V)	black 215-311 50 red 215-212 50 blue 215-711 50		
		Other colors and technical data see page 181			

- Terminal blocks and accessories required:
- 2 x disconnect/test terminal block 282-870
 - 1 x jumper, orange 282-424
 - 1 x end plate, orange 282-386
 - 1 x locking cover, transparent 282-882

In addition, locking covers, lock-outs

② max. height when rotating disconnect, incl. locking cover, is 92 mm/3.62 in. Please find the entire product range in our Full Line Catalog, Volume 1. More information at www.wago.com.