

With Pluggable Connector

To remove the connector



Locate the orange pull-tab on the connector ...

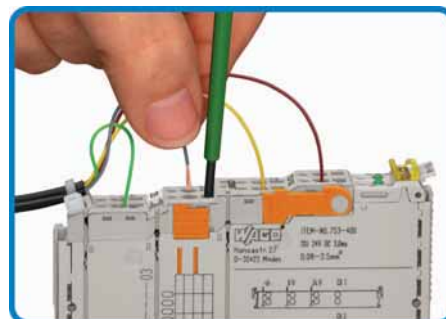


... pull toward the front of the connector ...

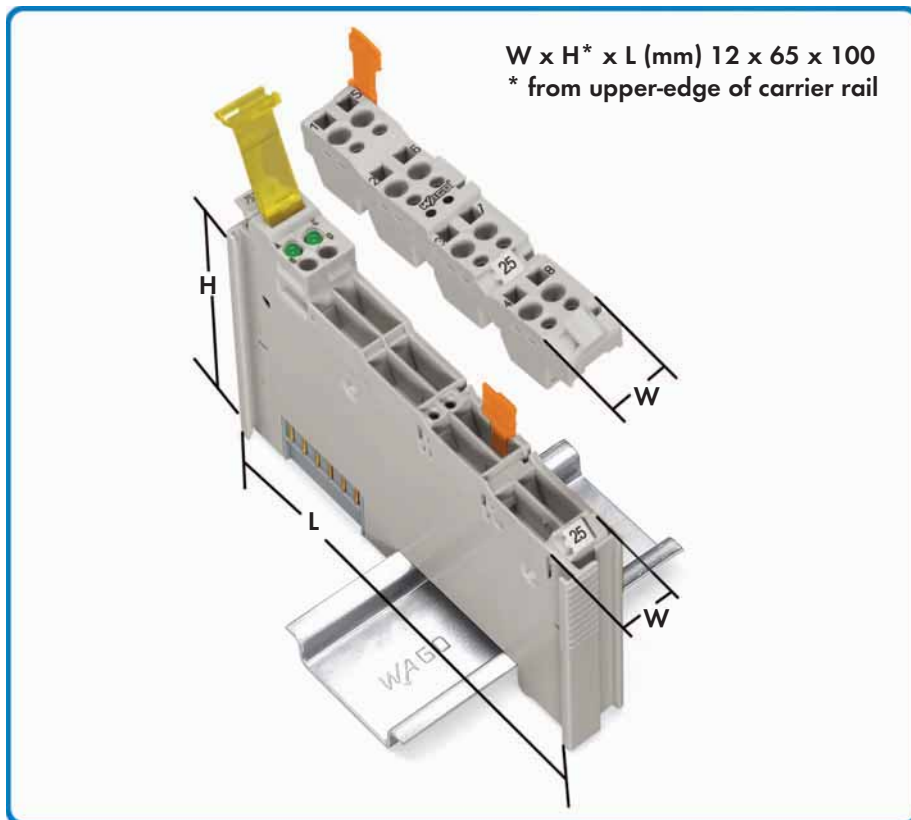


... the connector is automatically disengaged.

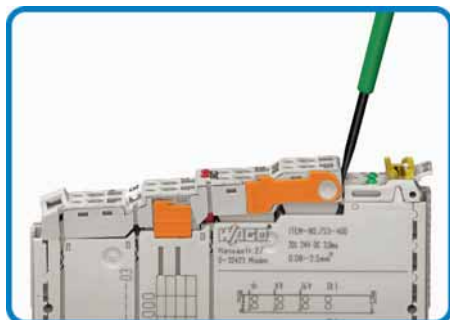
CAGE CLAMP® connection



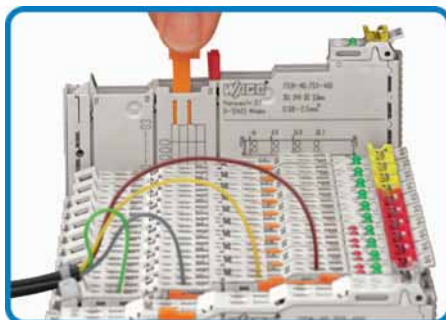
Vibration-proof, fast and maintenance-free wiring of 0.08 mm² - 2.5 mm² / AWG 28 - 14



Removal from the assembly



Alternatively, a standard screwdriver can be used to remove the connector from the I/O module.



Assembly on the rail ...



... removal from the assembly - without tool.

Built-in convenient features

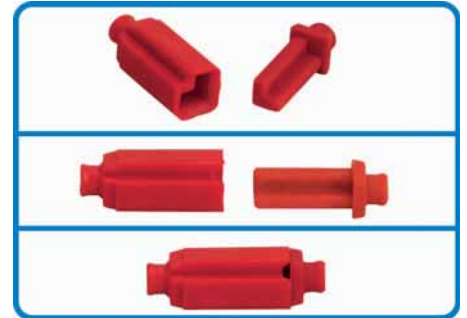


Securing the cable on the connector



Indication on both the connector and the I/O module is possible via miniature WSB marker tags

Coding



Connecting the coding pieces...



Molded marking of clamping units



- yellow – digital inputs
- red – digital outputs
- green – analog inputs
- blue – analog outputs
- colorless – supply and special function modules

Different functions marked by transparent colored group marker carriers



... place the coding piece into the I/O module ... (up to 16 different positions)



... place the connector into the I/O module.

Testing



Signal tracing with wired conductors

Status indication



LED diagnostic and status indication for start-up and system control



Coded connector can only fit in the corresponding coded I/O module