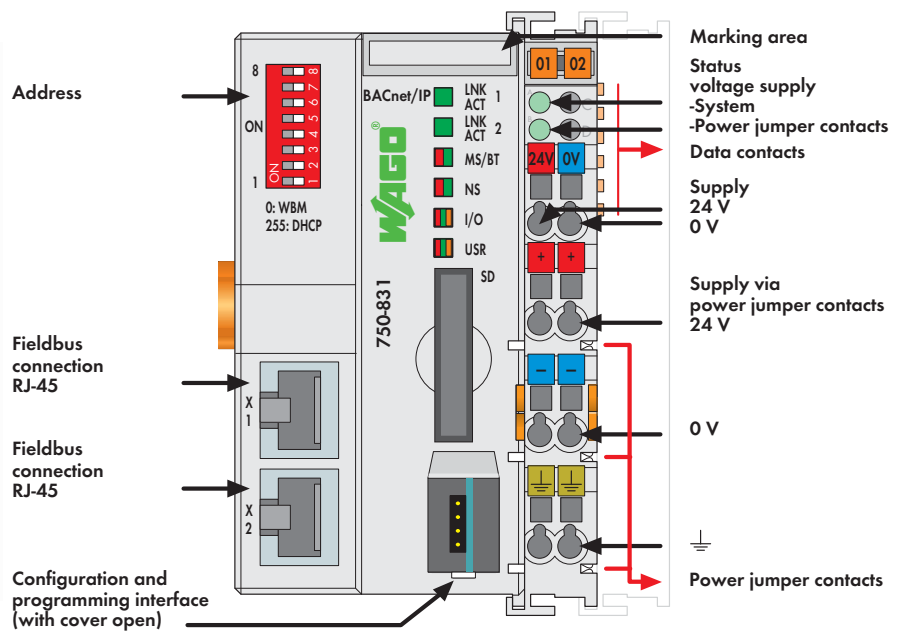


BACnet/IP Programmable Fieldbus Controller

32-bit CPU, multitasking



The 750-831 BACnet/IP Controller connects the WAGO I/O-SYSTEM to the BACnet protocol. The 750-830 Controller supports the B-BC BACnet device profile according to DIN EN ISO 16484-5. It communicates with other BACnet devices via BACnet/IP.

The controller provides the three following functionalities:

- 1. Native server: For each channel, appropriate BACnet objects are generated automatically for the digital/analog input and output modules that are connected to the controller.
- 2. Application server: Other supported BACnet objects can be created via IEC 61131-3 programming environment and made available to a BACnet network.
- 3. Application client: Using the client functionality, objects and their properties can be accessed by other BACnet devices.

Two ETHERNET interfaces and an integrated switch allow the fieldbus to be wired in a line topology. This eliminates additional network devices, such as switches or hubs. Both interfaces support Auto-Negotiation and Auto-MDI(X). The DIP switch configures the last byte of the IP address and may be used for IP address assignment.

An integrated Web server provides configuration options to the user, while displaying controller's status information.

The IEC 61131-3 programmable controller is multitasking-capable and features a battery-backed RTC. A data memory of 1 MB is available. The 750-831 Controller has a slot for a removable memory card, allowing device parameters or files (e.g., boot files) to be transferred from one controller to another. The memory card can be accessed via FTP and be used as an additional drive. Start-up and configuration of the BACnet networks is performed using the Windows-compliant WAGO BACnet Configurator.

Description	Item No.	Pack. Unit
BACnet/IP Controller	750-831	1
Accessories		
WAGO BACnet configurator	see Full Line Catalog AUTOMATION 2012/2013 Download: www.wago.com	
WAGO I/O-PRO V2.3, RS-232 kit	759-333	1
Miniature WSB Quick marking system		
plain	248-501	5
with marking	see Full Line Catalog AUTOMATION 2012/2013	
SD memory card, 1 GB	758-879/000-001	1
Approvals		
BACnet approvals		
WSPCert certification	pending	
BTL listing	pending	
Conformity marking	CE	

System Data	
No. of controllers connected to Master	limited by ETHERNET specification
Transmission medium	Twisted Pair S-UTP 100 Ω, Cat 5; Max. line length: 100 m
Baud rate	10/100 Mbit/s
Transmission performance	Class D acc. to EN 50173
Buscoupler connection	2 x RJ-45
Protocols	BACnet/IP, MODBUS/TCP (UDP), HTTP, BootP, DHCP, DNS, SNMP, FTP, SNMP
Programming	WAGO I/O-PRO V2.3
IEC 61131-3	IL, LD, FBD, ST, FC
SD card slot	Push-push mechanism, sealable cover lid
Type of memory card	SD and SDHC up to 32 GB (All guaranteed properties are only valid in connection with the WAGO 758-879/000-001 memory card.)
BACnet device profile	B-BC (BACnet Building Controller)
BACnet version	1.7

