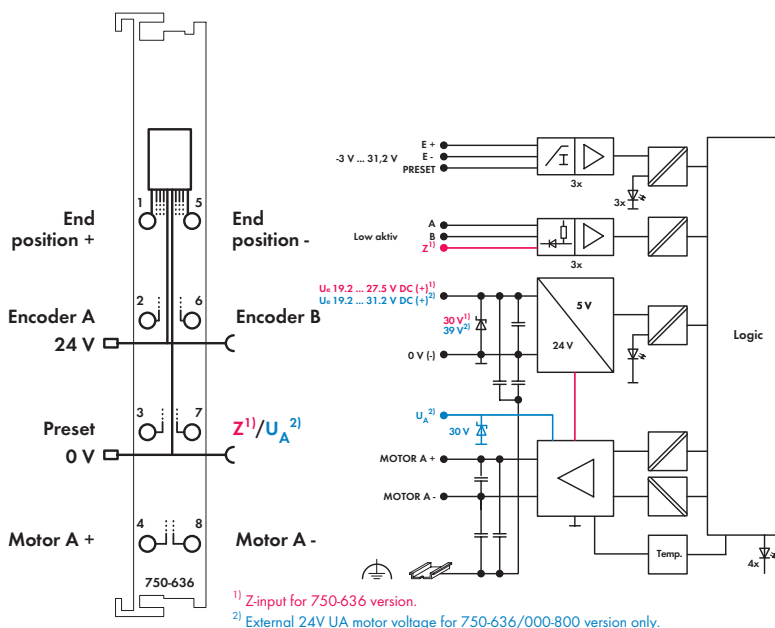
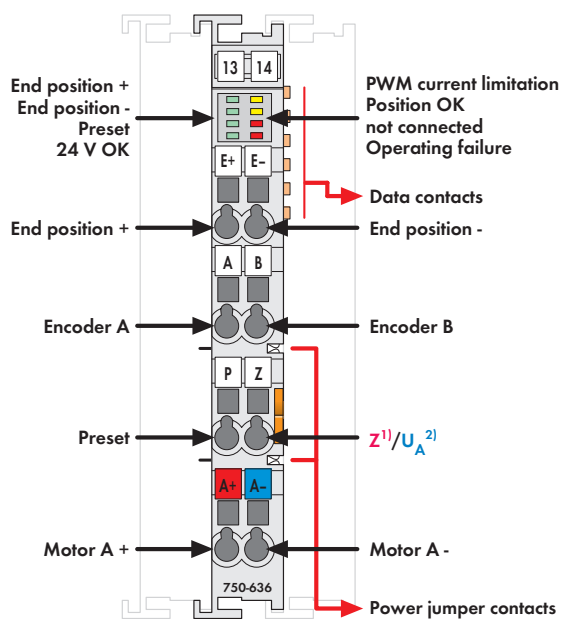


DC Drive Controller 24 V / 5 A



Delivered without miniature WSB markers

This module is a 1-channel intelligent positioning controller for 24VDC motors up to 5A with incremental position feedback. Three 24V inputs record the limit switches and a preset signal. An incremental encoder interface evaluates the signals from the position transmitter and determines actual value. If required, the positioning optimizes the pre-stop position depending on direction and takes backlash compensation into account. Bi-directional control of the DC motor is done via short-circuit proof and temperature-monitored H-bridge. Both switched operation and soft-start/stop or current reduction are possible through PWM control.

The field-side 24V supply voltage (20-28VDC) from the power contacts, which is monitored for undervoltage/overvoltage events, is looped through to adjacent modules.

Description	Item No.	Pack. Unit
DC Drive Controller 24V/5A	750-636	1
DC-Drive Controller 24V/5A/R*	750-636/000-800	1
DC Drive Controller 24V/5A/T	750-636/025-000	1
(Operating temperature -20 °C ... +60 °C)		
* /R: Interference-free for safety function applications (see manual)		
Accessories	Item No.	Pack. Unit
Miniature WSB Quick marking system		
plain	248-501	5
with marking	see pages 304 ... 305	
Approvals		
750 Series		
Conformity marking	CE	
Technical Data		
Wire connection	CAGE CLAMP®	
Cross sections	0.08 mm² ... 2.5 mm² / AWG 28 ... 14	
Stripped lengths	8 ... 9 mm / 0.33 in	
Width	12 mm	
Weight	50 g	
EMC CE-Immunity to interference	acc. to EN 61000-6-2 (2005)	
EMC CE-Emission of interference	acc. to EN 61000-6-3 (2007)	

Technical Data	
Outputs	
No. of outputs	1 channel
Motor current	5 A rated current at 33% ED, 15 A / 500 ms
Motor connection	A+, A-, H-bridge output; short-circuit protected
PWM frequency (typ.)	20 kHz
Inputs	
Digital inputs (E+, E-, Preset)	Type1 acc. to IEC61131; high-side switching
Input current (typ.)	2.7 mA at 24 V
Encoder connection	A, B, Zero low-side switching; 5 V ... 24 V DC / open collector
Signal voltage (0)	-3 V ... +1.5 V DC
Signal voltage (1)	2.4 V ... 30 V DC
Input current (typ.)	-3.2 mA at +0.3 V; 0 mA at >+5 V
Max. operating frequency	50 kHz
Quadrature decoder	1-fold, 2-fold, 4-fold report
Module	
Current consumption typ. (KBUS)	55 mA
Current consumption typ. (field side)	
750-636:	12 mA + load
750-636/000-800:	10 mA (fieldside) and 2 mA + load (motor)
Supply voltage	
750-636:	19.2 V ... 27.5 V DC
750-636/000-800:	19.2 V ... 27.5 V DC (V _A)
750-636/000-800:	19.2 V ... 31.2 V DC (fieldside)
Isolation	500 V system/supply
Data width process image	32 bits set/actual value; 16 bits control or status