

2-Conductor PCB Terminal Strips with Push-Buttons Pin Spacing 2.5 mm 2080 Series



- Compact terminal strips with PUSH WIRE® connection for solid conductors
- Each termination unit features an integrated push-button
- Double-conductor connection for commoning signals

Technical data:

Pin Spacing	2.5 mm 0.098 in				
Rating per	IEC/EN 60664-1				
Overvoltage category	III	III	II		
Pollution degree	3	2	2		
Rated voltage	160 V	160 V	320 V		
Rated surge voltage	2.5 kV	2.5 kV	2.5 kV		
Nominal current	2 A	2 A	2 A		
Approvals per	UL/CSA				
Use group UL 1059	B	C	D		
Rated voltage	-	-	-		
Nominal current UL	-	-	*		
Nominal current CSA	-	-	-		

Conductor and solder pin data:

Connection technology	PUSH WIRE®
Conductor size: solid	0.2 - 0.5 mm ²
AWG	24 - 20 "sol."
Strip length	6 - 7 mm / 0.24 - 0.28 in
Conductor entry angle	90° to PCB
Solder pin: length/width	3.4 mm / 0.5 x 0.8 mm
Solder pin: drilled hole diameter	1.1 ^{-0.1} mm

Material data:

Material group	I
Insulating material	Glass fiber-reinforced polyamide 6.6 (PA 6.6-GF)
Flammability rating per UL 94	V0
Lower/Upper temperature limit	-60°C / +105°C
Clamping spring material	Chrome nickel spring steel (CrNi)
Contact material	Electrolytic copper (E _{cu})
Contact plating	tin-plated

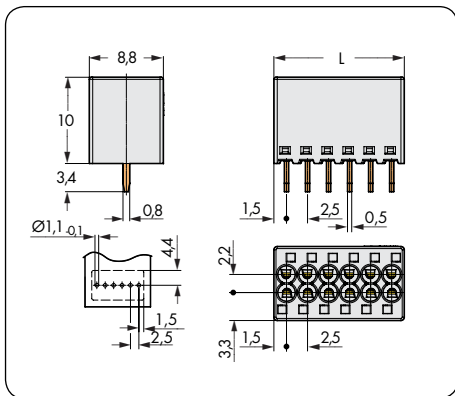
2080 Series accessories:

Page:

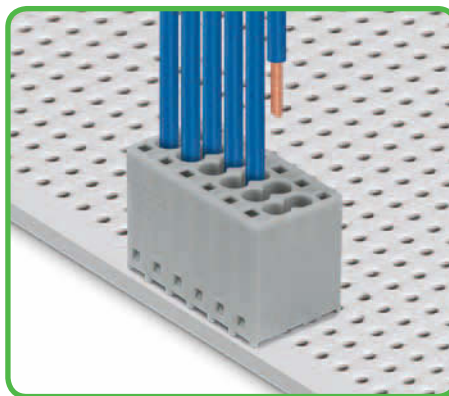
Operating tool (206-880)	528

Pin spacing 2.5 mm / 0.098 in

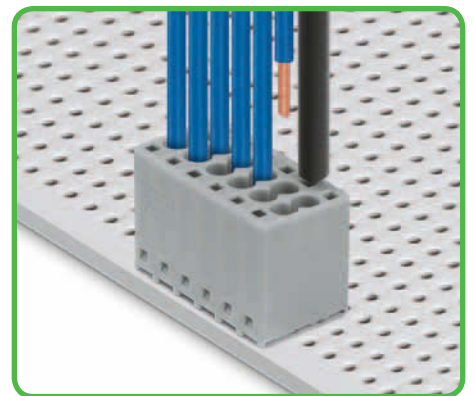
0.2 - 0.5 mm² "sol." | AWG 24 - 20 "sol."
 160 V/2.5 kV/2 2 A



$L = (\text{pole no.} \times \text{pin spacing}) + 0.4 \text{ mm}$



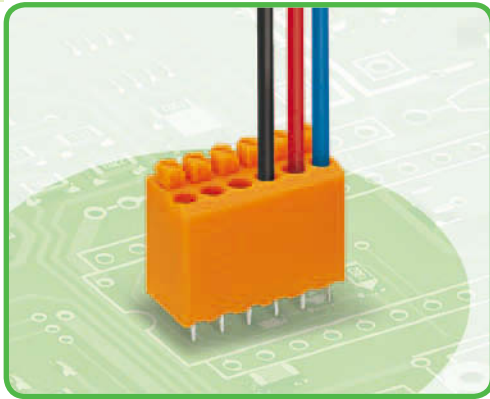
Inserting solid conductor via push-in termination.



Removing conductor via push-button and 1 mm Ø operating tool (206-880).

Pole No.	Item No.	Pack. Unit
2-conductor terminal strip with push-buttons, gray		
4	2080-504	
6	2080-506	

Compact PCB Terminal Blocks with Push-Buttons 1.5 mm² Pin Spacing 3.81 mm 735 Series



- Compact terminal blocks with push-buttons and PUSH WIRE® connection
- Top-of-unit, push-button actuation and conductor termination save space on the PCB
- Push-in termination of solid conductors
- Pin center spacing can be maintained in a terminal block assembly

Technical data*:

Pin Spacing	3.81 mm 0.15 in				
Rating per	IEC/EN 60664-1				
Overvoltage category	III	III	II		
Pollution degree	3	2	2		
Rated voltage	250 V	320 V	630 V		
Rated surge voltage	4 kV	4 kV	4 kV		
Nominal current	10 A	10 A	10 A		
Approvals per	UL/CSA				
Use group UL1059	B	C	D		
Rated voltage	300 V	-	300 V		
Nominal current UL	10 A	-	10 A		
Nominal current CSA	10 A	-	10 A		

Conductor and solder pin data:

Connection technology	PUSH WIRE®
Conductor size: solid	0.5 - 1.5 mm ²
AWG	20 - 16 "sol."
Strip length	8 - 9 mm / 0.31 - 0.35 in
Conductor entry angle	90° to PCB
Solder pin: length/width	3.5 mm / 0.4 x 0.9 mm
Solder pin: drilled hole diameter	1 ^{+0.1} mm

Material data:

Material group	I
Insulating material	Nylon 6.6 (PA 6.6)
Flammability rating per UL 94	V0
Lower/Upper temperature limit	-60°C / +105°C
Clamping spring material	Chrome-nickel spring steel (CrNi)
Contact material	Electrolytic copper (E _{cu})
Contact plating	tin-plated

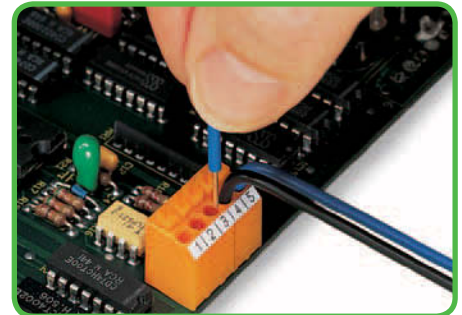
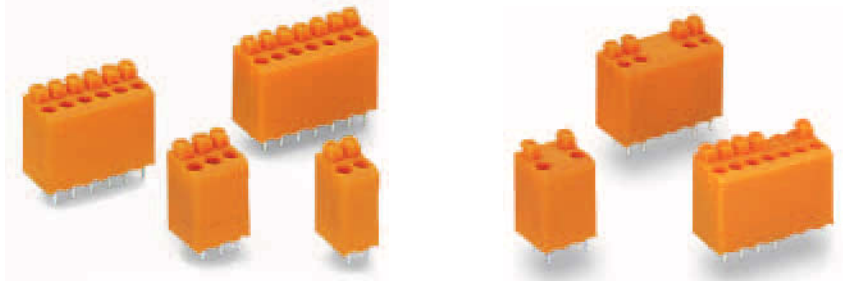
735 Series accessories:

Page:

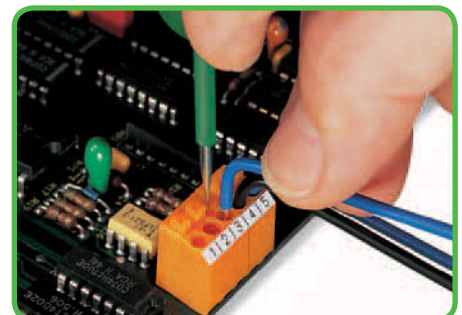
Marking accessories	540 - 543
Operating tools	526 - 528
Test pin	538

*For versions with staggered solder pins allowing increased clearances and creepage distances, please contact factory.

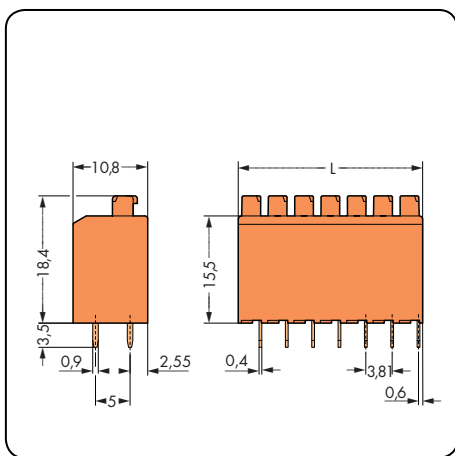
Pin spacing 3.81 mm / 0.15 in		With spacers, 1 x and 2 x pin spacing Pin spacing 3.81 mm / 0.15 in	
0.5 - 1.5 mm ² "sol."	AWG 20 - 16 "sol."	0.5 - 1.5 mm ² "sol."	AWG 20 - 16 "sol."
320 V/4 kV/2 10 A	300 V/10 A	320 V/4 kV/2 10 A	300 V/10 A



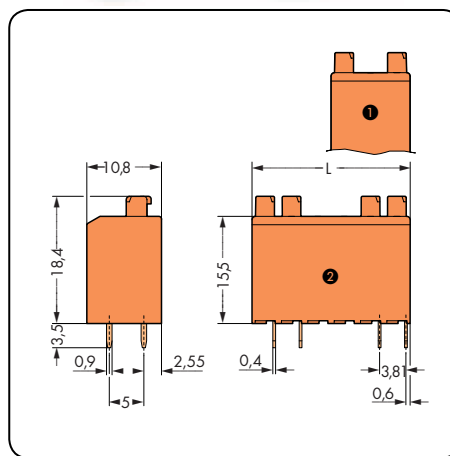
Wiring is simplified by pushing conductors into unit.



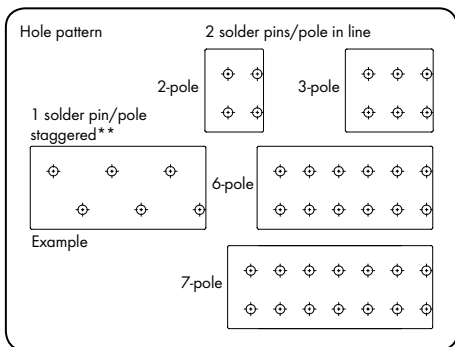
Removing conductor via push-button.



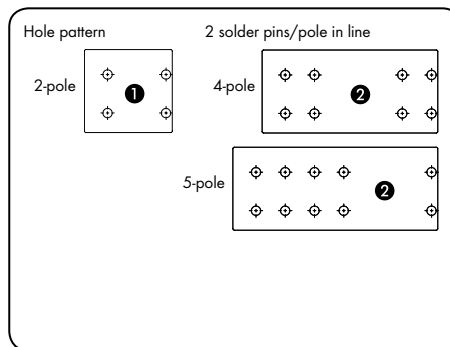
L for 2-pole 7.62 mm, L for 3-pole 11.43 mm
L for 6-pole 22.86 mm, L for 7-pole 26.67 mm



L for 2-pole 11.43 mm, L for 4-pole 22.86 mm
L for 5-pole 26.67 mm



** For versions with staggered solder pins that increase clearances and creepage distances, please contact factory.

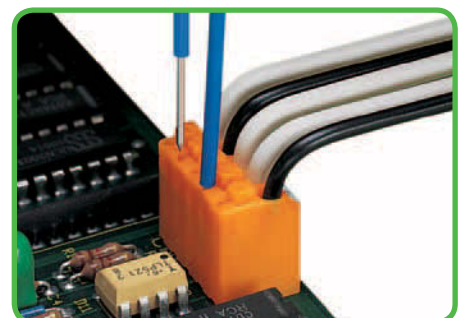


① Spacer of same width as 1 x pin spacing
② Spacer of same width as 2 x pin spacing



Pin center spacing can be maintained in an assembly.

Pole No.	Item No.	Pack. Unit	Pole No.	Item No.	Pack. Unit
Compact terminal block with push-buttons, 2 solder pins/pole in line, orange			Compact terminal block with push-buttons and spacer, 2 solder pins/pole in line, orange		
- high version -			- high version -		
2	735-122	660 (4 x 165)	2	735-123/001-000	440 (4 x 110)
3	735-123	440 (4 x 110)	4	735-126/001-000	220 (4 x 55)
6	735-126	220 (4 x 55)	5	735-127/001-000	180 (4 x 45)
7	735-127	180 (4 x 45)			



Testing with Ø 1 mm test pin.

Compact PCB Terminal Blocks with Push-Buttons 1.5 mm² Pin Spacing 5 mm 735 Series



- Compact terminal blocks with push-buttons and PUSH WIRE® connection
- Top-of-unit, push-button actuation and conductor termination save space on the PCB
- Push-in termination of solid conductors
- Pin center spacing can be maintained in a terminal block assembly

Technical data:

Pin Spacing	5 mm 0.197 in				
Rating per	IEC/EN 60664-1				
Overvoltage category	III	III	II		
Pollution degree	3	2	2		
Rated voltage	320 V	320 V	630 V		
Rated surge voltage	4 kV	4 kV	4 kV		
Nominal current	10 A	10 A	10 A		
Approvals per	UL/CSA				
Use group UL1059	B	C	D		
Rated voltage	300 V	-	300 V		
Nominal current UL	10 A	-	10 A		
Nominal current CSA	10 A	-	10 A		

Conductor and solder pin data:

Connection technology	PUSH WIRE®
Conductor size: solid	0.5 - 1.5 mm ²
AWG	20 - 16 "sol."
Strip length	8 - 9 mm / 0.31 - 0.35 in
Conductor entry angle	90° to PCB
Solder pin: length/width	3.5 mm / 0.4 x 0.9 mm
Solder pin: drilled hole diameter	1 ^{+0.1} mm

Material data:

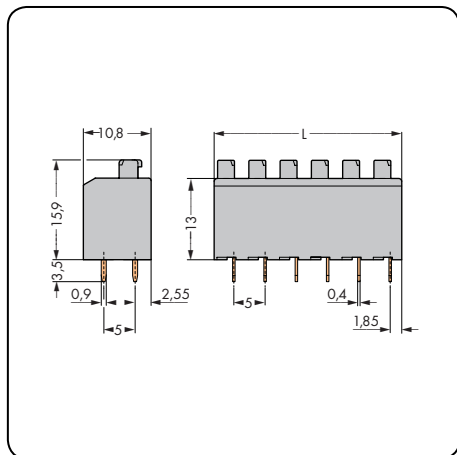
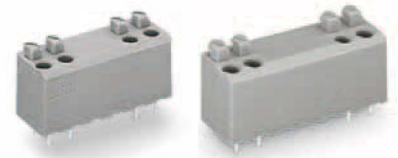
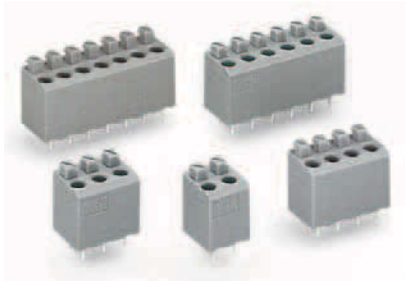
Material group	I
Insulating material	Nylon 6.6 (PA 6.6)
Flammability rating per UL 94	V0
Lower/Upper temperature limit	-60°C / +105°C
Clamping spring material	Chrome-nickel spring steel (CrNi)
Contact material	Electrolytic copper (E _{Cu})
Contact plating	tin-plated

735 Series accessories:

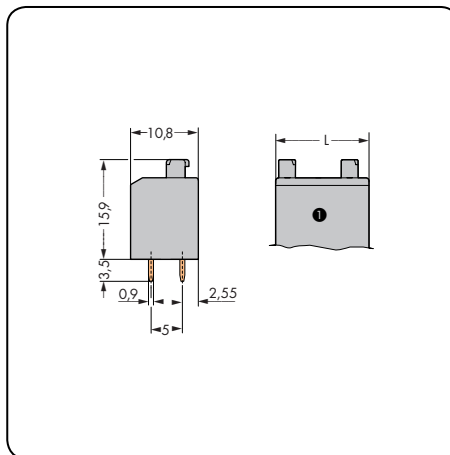
Page:

Marking accessories	540 - 543
Operating tools	526 - 528
Test pin	538

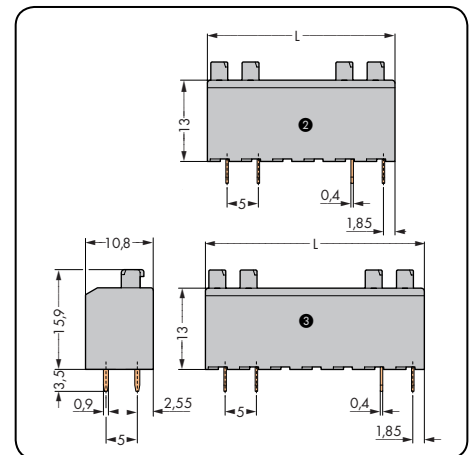
Pin spacing 5 mm / 0.197 in		With spacer, 1 x pin spacing Pin spacing 5 mm / 0.197 in		With spacer, 2 and 3 x pin spacing Pin spacing 5 mm / 0.197 in	
0.5 - 1.5 mm ² "sol."	AWG 20 - 16 "sol."	0.5 - 1.5 mm ² "sol."	AWG 20 - 16 "sol."	0.5 - 1.5 mm ² "sol."	AWG 20 - 16 "sol."
320 V/4 kV/2 10 A	300 V/10 A	320 V/4 kV/2 10 A	300 V/10 A	320 V/4 kV/2 10 A	300 V/10 A



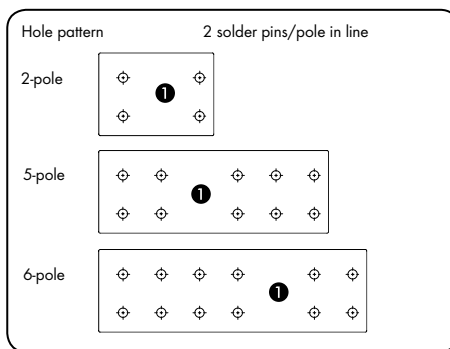
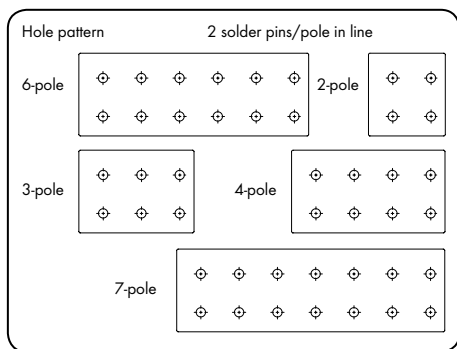
L for 2-pole 10 mm, L for 3-pole 15 mm
L for 4-pole 20 mm, L for 6-pole 30 mm
L for 7-pole 35 mm



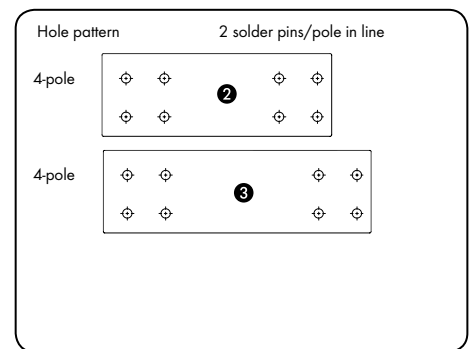
L for 2-pole/① x pin spacing 15 mm
L for 5-pole/① x pin spacing 30 mm
L for 6-pole/① x pin spacing 35 mm



L for 4-pole/② x pin spacing 30 mm
L with 4-pole/③ x pin spacing 35 mm



① Spacer of same width as 1 x pin spacing

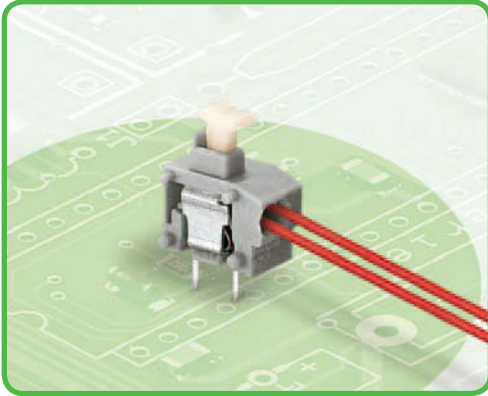


② Spacer of same width as 2 x pin spacing
③ Spacer of same width as 3 x pin spacing

Pole No.	Item No.	Pack. Unit	Pole No.	Item No.	Pack. Unit	Pole No.	Item No.	Pack. Unit
Compact terminal block with push-buttons, 2 solder pins/pole in line, low version, gray			Compact terminal block with push-buttons and spacer for 1 x pin spacing, 2 solder pins/pole in line, low version, gray			Compact terminal block with push-buttons and spacer for 2 x pin spacing, 2 solder pins/pole in line, low version, gray		
2	735-302	500 (4 x 125)	2	735-303/001-000	320 (4 x 80)	4	735-306/001-000	160 (4 x 40)
3	735-303	320 (4 x 80)						
4	735-304	240 (4 x 60)						
6	735-306	160 (4 x 40)	5	735-306/003-000	160 (4 x 40)	Compact terminal block with push-buttons and spacer for 3 x pin spacing, 2 solder pins/pole in line, low version, gray		
7	735-307	140 (4 x 35)	6	735-307/001-000	140 (4 x 35)	4	735-307/002-000	140 (4 x 35)

2-Conductor, Modular PCB Terminal Blocks with Push-Buttons 0.75 mm² Pin Spacing 5/5.08 mm, 7.5/7.62 mm, 10/10.16 mm

235 Series



- Modular terminal blocks with push-buttons and PUSH WIRE® connection, for custom terminal strip assemblies
- Double-conductor connection for commoning signals
- Push-in termination of solid conductors
- Easy conductor removal via push-button
- Set to metric or inch pin spacing by compressing terminal strips together or pulling them apart
- Versions with test slot can be found at www.wago.com
- For 235 Series without push-buttons, see page 157

Technical data:

Pin Spacing	5/5.08 mm 0.2 in			7.5/7.62 mm 0.3 in			10/10.16 mm 0.4 in		
	IEC/EN 60664-1			IEC/EN 60664-1			IEC/EN 60664-1		
Rating per	III	III	II	III	III	II	III	III	II
Overtoltage category	3	2	2	3	2	2	3	2	2
Pollution degree	3	2	2	3	2	2	3	2	2
Rated voltage	250 V	320 V	630 V	400 V	630 V	1000 V	630 V	1000 V	1000 V
Rated surge voltage	4 kV	4 kV	4 kV	6 kV	6 kV	6 kV	8 kV	8 kV	8 kV
Nominal current	10 A	10 A	10 A	10 A	10 A	10 A	10 A	10 A	10 A
Approvals per	UL/CSA			UL/CSA			UL/CSA		
Use group UL 1059	B	C	D	B	C	D	B	C	D
Rated voltage	300 V	-	300 V	300 V	-	300 V	300 V	-	300 V
Nominal current UL	10 A	-	10 A	10 A	-	10 A	10 A	-	10 A
Nominal current CSA	10 A	-	-	10 A	-	-	10 A	-	-

Conductor and solder pin data:

Connection technology	PUSH WIRE®
Conductor size: solid	2 x 0.2 - 0.75 mm ²
AWG	2 x 24 - 18 "sol."
Strip length	9 - 10 mm / 0.35 - 0.39 in
Conductor entry angle	0° to PCB
Solder pin: length/width	3.6 mm / 0.4 x 0.8 mm
Solder pin: drilled hole diameter	1 ^{+0.1} mm

Material data:

Material group	I
Insulating material	Nylon 6.6 (PA 6.6)
Flammability rating per UL 94	V0
Lower/Upper temperature limit	-60°C / +105°C
Clamping spring material	Chrome-nickel spring steel (CrNi)
Contact material	Electrolytic copper (E _{Cu})
Contact plating	tin-plated

235 Series accessories:

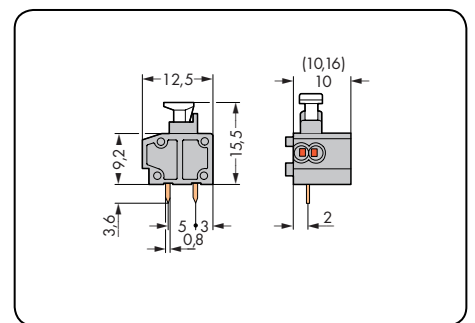
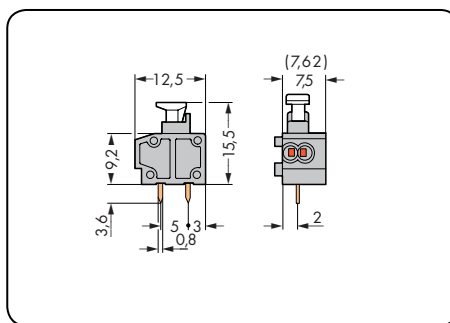
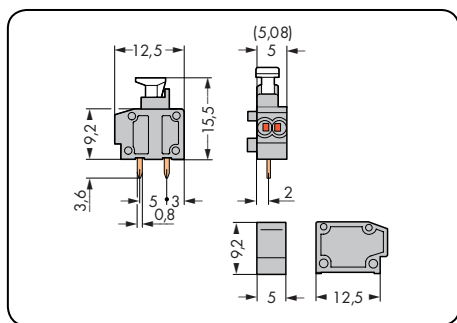
Page:

Marking accessories	540 - 543
Operating tools	526 - 528


2-Conductor, Modular PCB Terminal Blocks with Push-Buttons 0.75 mm²


PUSH WIRE®

Pin spacing 5/5.08 mm / 0.2 in		Pin spacing 7.5/7.62 mm / 0.3 in		Pin spacing 10/10.16 mm / 0.4 in	
2 x 0.25 – 0.75 mm ² "sol."	2 x AWG 24 – 18 "sol."	2 x 0.25 – 0.75 mm ² "sol."	2 x AWG 24 – 18 "sol."	2 x 0.25 – 0.75 mm ² "sol."	2 x AWG 24 – 18 "sol."
320 V/4 kV/2 10 A	300 V/10 A	630 V/6 kV/2 10 A	300 V/10 A	1000 V/8 kV/2 10 A	300 V/10 A

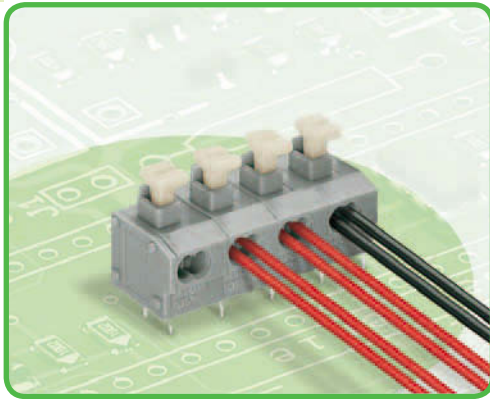


Color	Item No.	Pack. Unit	Color	Item No.	Pack. Unit	Color	Item No.	Pack. Unit
2-conductor modular terminal block with push-button, 2 solder pins/pole			2-conductor modular terminal block with push-button, 2 solder pins/pole			2-conductor modular terminal block with push-button, 2 solder pins/pole		
gray	235-711/331-000	800 (8 x 100)	gray	235-551/331-000	600 (6 x 100)	gray	235-851/331-000	400 (4 x 100)
dark gray	235-712/331-000	800 (8 x 100)	dark gray	235-722/331-000	600 (6 x 100)	dark gray	235-732/331-000	400 (4 x 100)
light gray	235-713/331-000	800 (8 x 100)	light gray	235-723/331-000	600 (6 x 100)	light gray	235-733/331-000	400 (4 x 100)
blue	235-714/331-000	800 (8 x 100)	blue	235-724/331-000	600 (6 x 100)	blue	235-734/331-000	400 (4 x 100)
orange	235-716/331-000	800 (8 x 100)	orange	235-726/331-000	600 (6 x 100)	orange	235-736/331-000	400 (4 x 100)
light green	235-717/331-000	800 (8 x 100)	light green	235-727/331-000	600 (6 x 100)	light green	235-737/331-000	400 (4 x 100)
			① Suitable for Ex i applications			① Suitable for Ex i applications		

Accessories	Item No.	Pack. Unit
Spacer for modular terminal blocks for doubling the pin spacing, gray		
	235-701	100

End plates for 235 Series, snap-on type, 1 mm/0.039 in thick	Color	Item No.	Pack. Unit
	gray	235-100	100
	dark gray	235-200	100
	light gray	235-300	100
	blue	235-400	100
	orange	235-600	100
	light green	235-700	100

2-Conductor PCB Terminal Strips with Push-Buttons 0.75 mm² Pin Spacing 5/5.08 mm, 7.5/7.62 mm, 10/10.16 mm 235 Series



- Terminal strips with push-buttons and PUSH WIRE® connection
- Double-conductor connection for commoning signals
- Push-in termination of solid conductors
- Easy conductor removal via push-button
- Set to metric or inch pin spacing by compressing terminal strips together or pulling them apart
- Versions with test slots can be found at www.wago.com
- For 235 Series without push-buttons, see page 159

Technical data:

Pin Spacing	5/5.08 mm 0.2 in			7.5/7.62 mm 0.3 in			10/10.16 mm 0.4 in		
	IEC/EN 60664-1			IEC/EN 60664-1			IEC/EN 60664-1		
Rating per	III	III	II	III	III	II	III	III	II
Overtoltage category	3	2	2	3	2	2	3	2	2
Pollution degree	3	2	2	3	2	2	3	2	2
Rated voltage	250 V	320 V	630 V	400 V	630 V	1000 V	630 V	1000 V	1000 V
Rated surge voltage	4 kV	4 kV	4 kV	6 kV	6 kV	6 kV	8 kV	8 kV	8 kV
Nominal current	10 A	10 A	10 A	10 A	10 A	10 A	10 A	10 A	10 A
Approvals per	UL/CSA			UL/CSA			UL/CSA		
Use group UL 1059	B	C	D	B	C	D	B	C	D
Rated voltage	300 V	-	300 V	300 V	-	300 V	300 V	-	300 V
Nominal current UL	10 A	-	10 A	10 A	-	10 A	10 A	-	10 A
Nominal current CSA	10 A	-	-	10 A	-	-	10 A	-	-

Conductor and solder pin data:

Connection technology	PUSH WIRE®
Conductor size: solid	2 x 0.2 - 0.75 mm ²
AWG	2 x 24 - 18 "sol."
Strip length	9 - 10 mm / 0.35 - 0.39 in
Conductor entry angle	0° to PCB
Solder pin: length/width	3.6 mm / 0.4 x 0.8 mm
Solder pin: drilled hole diameter	1 ^{+0.1} mm

Material data:

Material group	I
Insulating material	Nylon 6.6 (PA 6.6)
Flammability rating per UL 94	V0
Lower/Upper temperature limit	-60°C / +105°C
Clamping spring material	Chrome-nickel spring steel (CrNi)
Contact material	Electrolytic copper (E _{Cu})
Contact plating	tin-plated

235 Series accessories:

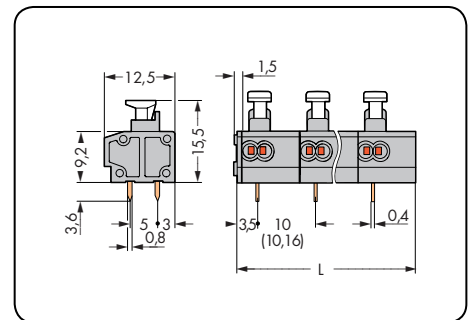
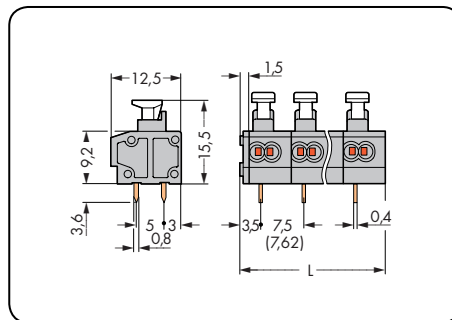
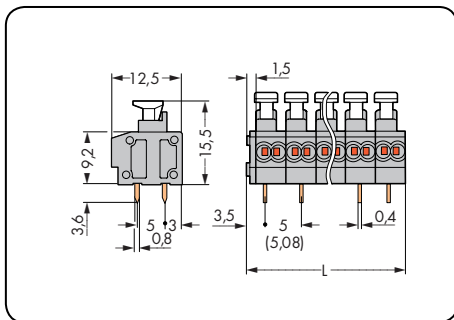
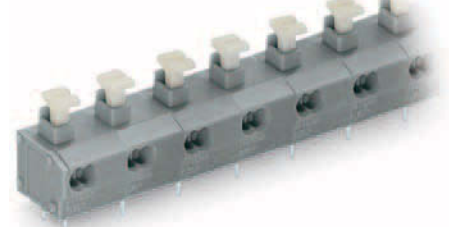
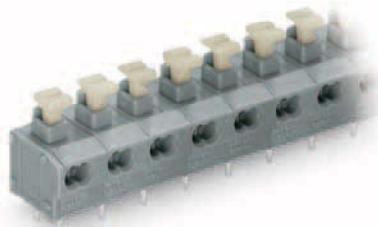
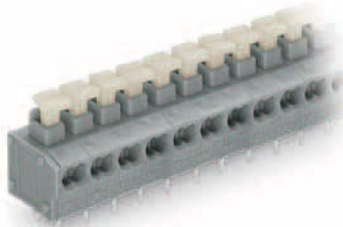
Page:

Marking accessories	540 - 543
Operating tools	526 - 528

2-Conductor PCB Terminal Strips with Push-Buttons 0.75 mm²

PUSH WIRE®

Pin spacing 5/5.08 mm / 0.2 in		Pin spacing 7.5/7.62 mm / 0.3 in		Pin spacing 10/10.16 mm / 0.4 in	
2 x 0.25 – 0.75 mm ² "sol."	2 x AWG 24 – 18 "sol."	2 x 0.25 – 0.75 mm ² "sol."	2 x AWG 24 – 18 "sol."	2 x 0.25 – 0.75 mm ² "sol."	2 x AWG 24 – 18 "sol."
320 V/4 kV/2 10 A	300 V/10 A	630 V/6 kV/2 10 A	300 V/10 A	1000 V/8 kV/2 10 A	300 V/10 A



Adjust pin spacing by pulling on the end blocks so that they expand to satisfy the hole centers required.
L = (pole no. x pin spacing) + 1.5 mm

Pole No.	Item No.	Pack. Unit	Pole No.	Item No.	Pack. Unit	Pole No.	Item No.	Pack. Unit
2-conductor terminal strip with push-buttons, 2 solder pins/pole, gray			2-conductor terminal strip with push-buttons, 2 solder pins/pole, gray			2-conductor terminal strip with push-buttons, 2 solder pins/pole, gray		
2	235-452/331-000	420 (4 x 105)	2	235-552/331-000	280 (4 x 70)	2	235-852/331-000	220 (4 x 55)
3	235-453/331-000	280 (4 x 70)	3	235-553/331-000	200 (4 x 50)	3	235-853/331-000	140 (4 x 35)
4	235-454/331-000	220 (4 x 55)	4	235-554/331-000	140 (4 x 35)	4	235-854/331-000	120 (4 x 30)
5	235-455/331-000	180 (4 x 45)	5	235-555/331-000	120 (4 x 30)	5	235-855/331-000	80 (4 x 20)
6	235-456/331-000	140 (4 x 35)	6	235-556/331-000	100 (4 x 25)	6	235-856/331-000	80 (4 x 20)
7	235-457/331-000	120 (4 x 30)	7	235-557/331-000	80 (4 x 20)	7	235-857/331-000	60 (4 x 15)
8	235-458/331-000	100 (4 x 25)	8	235-558/331-000	80 (4 x 20)	8	235-858/331-000	40 (4 x 10)
9	235-459/331-000	100 (4 x 25)	9	235-559/331-000	60 (4 x 15)	9	235-859/331-000	40 (4 x 10)
10	235-460/331-000	80 (4 x 20)	10	235-560/331-000	60 (4 x 15)	10	235-860/331-000	40 (4 x 10)
12	235-462/331-000	80 (4 x 20)	12	235-562/331-000	40 (4 x 10)	12	235-862/331-000	40 (4 x 10)
16	235-466/331-000	60 (4 x 15)	16	235-566/331-000	40 (4 x 10)	16	235-866/331-000	20 (4 x 5)
24	235-474/331-000	40 (4 x 10)	24	235-574/331-000	20 (4 x 5)	24	235-874/331-000	20 (4 x 5)
36	235-486/331-000	20 (4 x 5)						
48	235-498/331-000	20 (4 x 5)						

Item no. suffixes for colored terminal strips: (Production and prices depend on quantity required)

① blue	.../.../331-006	Ordering example: 2-conductor terminal strip, 7.5/7.62 mm pin spacing 16-pole, blue: 235-566/331-006
● dark gray	.../.../331-008	
○ light gray	.../.../331-009	
● orange	.../.../331-012	
● light green	.../.../331-017	
① Suitable for Ex i applications (only for 7.5/7.62 mm and 10/10.16 mm pin spacing)		

