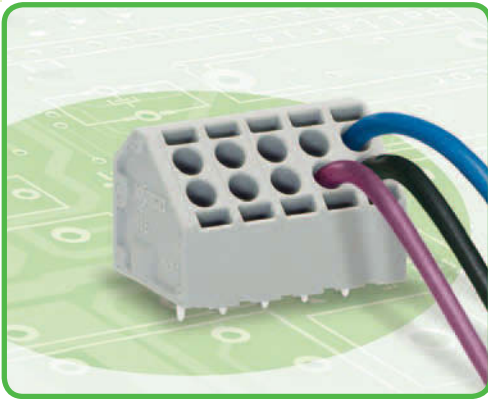


## 2-Conductor PCB Terminal Strips 1.5 mm<sup>2</sup> Pin Spacing 5 mm 816 Series



- 2-conductor terminal strips with screwdriver-actuated CAGE CLAMP®S
- Double entries for supply and power distribution
- Simple, reliable connection via clamping units featuring individual operating slots
- Push-in termination of solid and ferruled, fine-stranded conductors

### Technical data:

Pin Spacing	5 mm 0.197 in			
Rating per	IEC/EN 60664-1			
Overtension category	III	III	II	
Pollution degree	3	2	2	
Rated voltage	320 V	320 V	630 V	
Rated surge voltage	4 kV	4 kV	4 kV	
Nominal current	14 A	14 A	14 A	
Approvals per	UL/CSA			
Use group UL 1059	B	C	D	
Rated voltage	300 V	-	300 V	
Nominal current UL	10 A	-	10 A	
Nominal current CSA	8 A	-	-	

### Conductor and solder pin data:

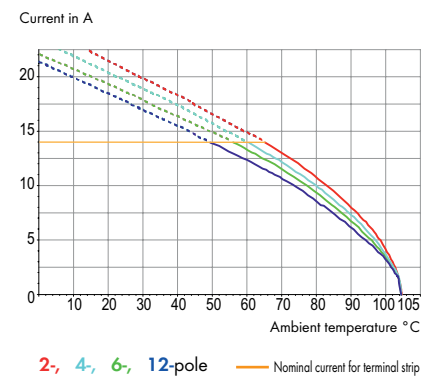
Connection technology	CAGE CLAMP®S
Conductor size: solid	0.2 - 1.5 mm <sup>2</sup>
Conductor size: fine-stranded	0.2 - 1.5 mm <sup>2</sup>
Conductor size: fine-stranded	0.2 - 1 mm <sup>2</sup> (with insulated ferrule)
Conductor size: fine-stranded	0.2 - 1.5 mm <sup>2</sup> (with uninsulated ferrule)
AWG	24 - 16
Strip length	9 - 10 mm / 0.35 - 0.39 in
Conductor entry angle	45° to PCB
Solder pin: length/width	3.5 mm/0.138 in. / 0.8 x 0.5 mm
Solder pin: drilled hole diameter	1.1 <sup>+0.1</sup> mm

### Material data:

Material group	I
Insulating material	Nylon 6.6 (PA 6.6)
Flammability rating per UL 94	V0
Lower/Upper temperature limit	-60°C / +105°C
Clamping spring material	Chrome-nickel spring steel (CrNi)
Contact material	Copper alloy
Contact plating	tin-plated

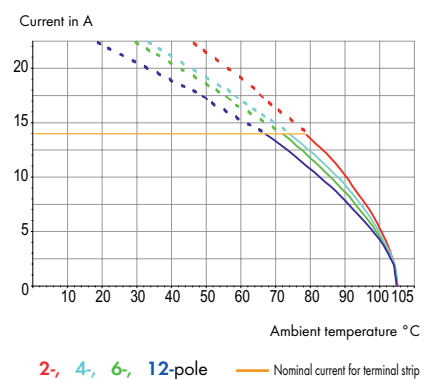
### Current-Carrying Capacity Curve: Conductor - Solder Pin

Pin spacing: 5 mm / Conductor size: 1.5 mm<sup>2</sup> "f-st"  
Based on: EN 60512-5-2 / Reduction factor: 1



### Current-Carrying Capacity: Conductor - Conductor

Pin spacing: 5 mm / Conductor size: 1.5 mm<sup>2</sup> "f-st"  
Based on: EN 60512-5-2 / Reduction factor: 1



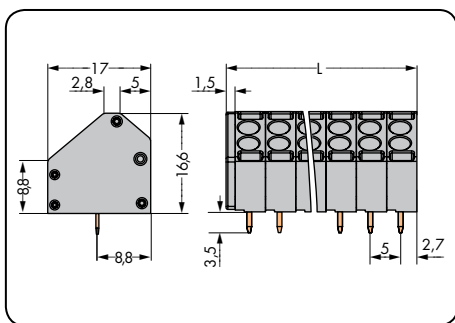
### 816 Series accessories:

### Page:

Marking accessories	540 - 543
Operating tools	526 - 529

# 2-Conductor PCB Terminal Strips 1.5 mm<sup>2</sup>

<b>Pin spacing 5 mm / 0.197 in</b>  2 x 0.2 - 1.5 mm <sup>2</sup>   2 x AWG 24 - 16 320 V/4 kV/2 14 A   300 V/10 A	<b>Handling</b>
---	-----------------



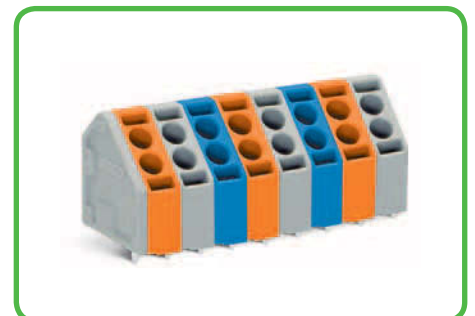
L = (pole no. x pin spacing) + 1.5 mm

Pole No.	Item No.	Pack. Unit	Item No. Suffixes: Colored Terminal Strips, 5 mm Pin Spacing
<b>2-conductor terminal strip, gray</b>			
2	<b>816-102</b>	400	● yellow ...-.../000-002
3	<b>816-103</b>	250	● blue ...-.../000-006
4	<b>816-104</b>	200	● orange ...-.../000-012
5	<b>816-105</b>	175	
6	<b>816-106</b>	150	
7	<b>816-107</b>	125	<b>Ordering example:</b>
8	<b>816-108</b>	100	Terminal strip, 5 mm pin spacing
9	<b>816-109</b>	100	8-pole, orange: <b>816-108/000-012</b>
10	<b>816-110</b>	80	
11	<b>816-111</b>	80	<b>(Production and prices depend on quantity required)</b>
12	<b>816-112</b>	60	



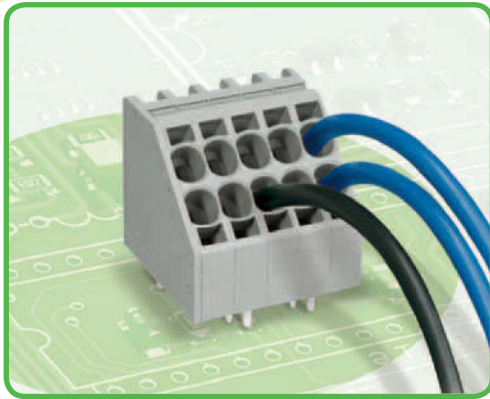
Open clamping unit via 3.5 mm screwdriver to insert/remove fine-stranded conductors.

Push in solid and ferruled, fine-stranded conductors until fully inserted.



Mixed-color terminal strips available upon request.

# 2-Conductor PCB Terminal Strips 10 mm<sup>2</sup> Pin Spacing 7.5 mm 746 Series



- 2-conductor terminal strips with screwdriver-actuated CAGE CLAMP®S
- Double entries for supply and distribution of potentials
- Simple, reliable connection via clamping units featuring individual operating slots
- 600 V to UL 1059
- Push-in termination of solid and ferruled, fine-stranded conductors
- Marker slot for miniature WSB and WMB markers

### Technical data:

Pin Spacing	7.5 mm 0.295 in		
Rating per	IEC/EN 60664-1		
Overvoltage category	III	III	II
Pollution degree	3	2	2
Rated voltage	800 V	1000 V	1000 V
Rated surge voltage	8 kV	8 kV	8 kV
Nominal current	50 A	50 A	50 A
Approvals per	UL/CSA		
Use group UL 1059	B	C	D
Rated voltage	600 V	600 V	-
Nominal current UL	50 A	50 A	-
Nominal current CSA	44 A	44 A	-

### Conductor and solder pin data:

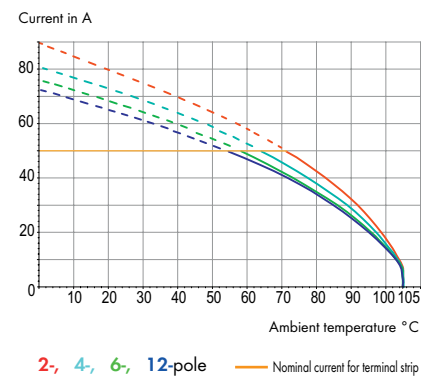
Connection technology	CAGE CLAMP®S
Conductor size: solid	0.5 - 10 mm <sup>2</sup>
Conductor size: fine-stranded	0.5 - 10 mm <sup>2</sup>
Conductor size: fine-stranded	0.5 - 6 mm <sup>2</sup> (with insulated ferrule)
Conductor size: fine-stranded	0.5 - 6 mm <sup>2</sup> (with uninsulated ferrule)
AWG	20 - 8
Strip length	13 - 15 mm / 0.51 - 0.59 in
Conductor entry angle	45° to PCB
Solder pin: length/width	4.4 mm / 1.6 x 1.2 mm
Solder pin: drilled hole diameter	2.2 <sup>+0.1</sup> mm

### Material data:

Material group	I
Insulating material	Nylon 6.6 (PA 6.6)
Flammability rating per UL 94	V0
Lower/Upper temperature limit	-60°C / +105°C
Clamping spring material	Chrome-nickel spring steel (CrNi)
Contact material	Electrolytic copper (E <sub>Cu</sub> )
Contact plating	tin-plated

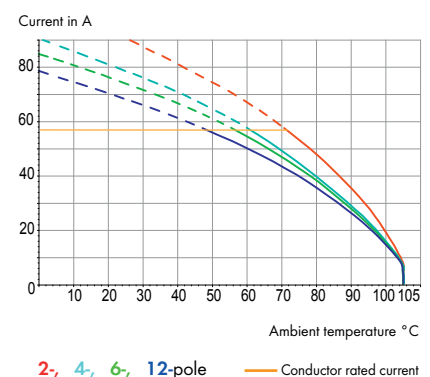
### Current-Carrying Capacity Curve: Conductor - Solder Pin

Pin spacing: 7.5 mm / Conductor size: 10 mm<sup>2</sup> "f-st"  
Based on: EN 60512-5-2 / Reduction factor: 1



### Current-Carrying Capacity: Conductor - Conductor

Pin spacing: 7.5 mm / Conductor size: 10 mm<sup>2</sup> "f-st"  
Based on: EN 60512-5-2 / Reduction factor: 1



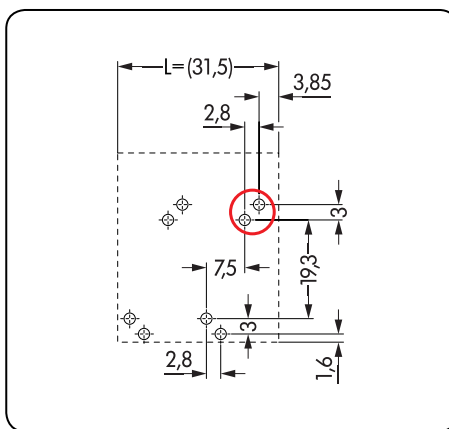
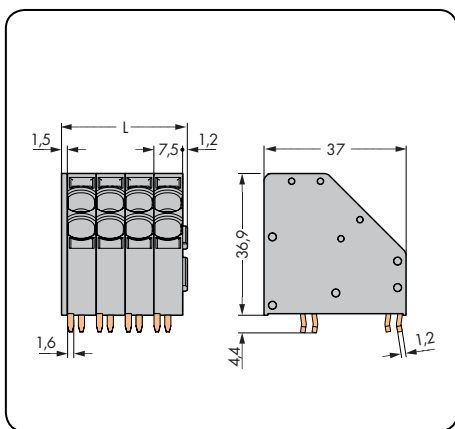
### 746 Series accessories:

### Page:

Marking accessories	540 - 543
Operating tools	526 - 528
Test plugs	538

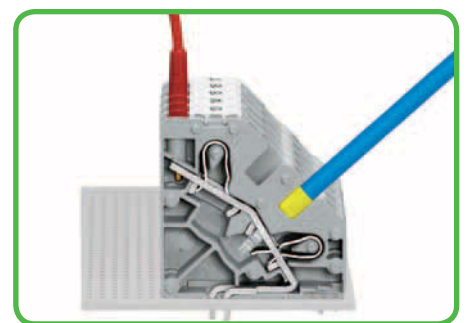
# 2-Conductor PCB Terminal Strips 10 mm<sup>2</sup>

<b>Pin spacing 7.5 mm / 0.295 in</b>  2 x 0.5 – 10 mm <sup>2</sup>   2 x AWG 20 – 8 1000 V/8 kV/2 50 A   600 V/50 A	<b>Handling</b>
--	-----------------



L = (pole no. x pin spacing) + 2.7 mm  
 ○ first solder pins, right rear side

Pole No.	Item No.	Pack. Unit	Item No. Suffixes: Colored Terminal Strips, 7.5 mm Pin Spacing
2-conductor terminal strip, 2 staggered solder pins/pole, gray			
2	746-2302	60	○ light gray . . . . . /000-009
3	746-2303	40	① blue . . . . . /000-006
4	746-2304	64	② green-yellow . . . . . /000-016
5	746-2305	48	③ light green . . . . . /000-017
6	746-2306	40	
7	746-2307	16	④ Suitable for Ex i applications
8	746-2308	32	
9	746-2309	24	<b>Ordering example:</b>
10	746-2310	24	Terminal strip, 7.5 mm pin spacing
12	746-2312	16	8-pole, light gray: <b>746-2308/000-009</b>
			<b>(Production and prices depend on quantity required)</b>



Inserting solid and ferruled, fine-stranded conductors by simply pushing them in. Testing with Ø 2 mm test plug.



Inserting fine-stranded conductors via 5.5 mm screwdriver.



Mixed-color terminal strips available upon request.