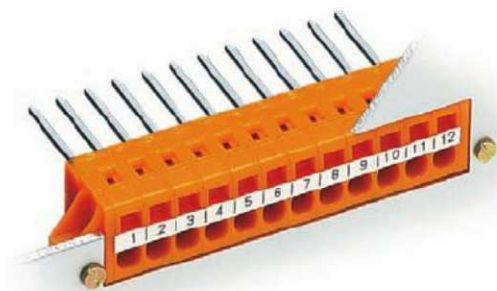
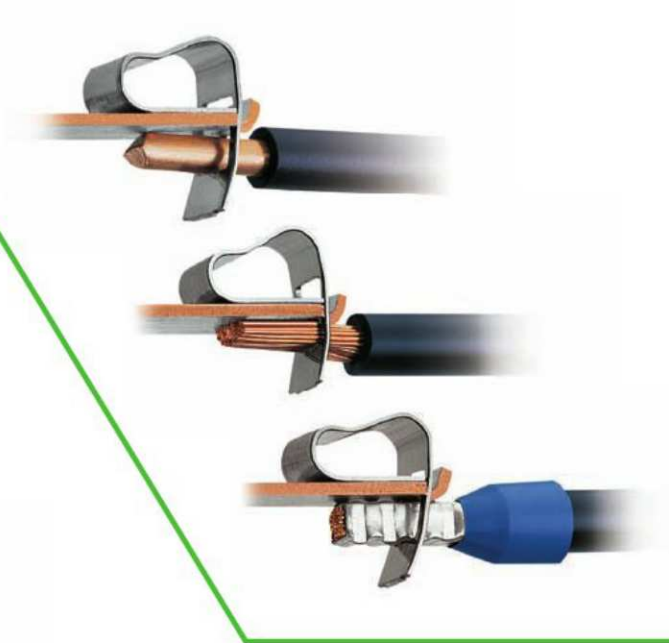


Connection Technology for Feedthrough Terminal Blocks and Strips

CAGE CLAMP®

The universal connection for solid, stranded and fine-stranded conductors.

Open clamping unit, insert the conductor, release clamp - done!



Product overview sorted by pin spacing, see pages 5 – 6



Feedthrough Terminal Blocks with Screwdriver Actuation, CAGE CLAMP®

Nominal Cross Section

4 mm²/AWG 12
4 mm²/AWG 12

Series

826
226

Pages

192 - 193
194 - 195



Feedthrough Terminal Strips with Push-Buttons, CAGE CLAMP®

2.5 mm²/AWG 12

741

196 - 203



Feedthrough Terminal Strips with Screwdriver Actuation, CAGE CLAMP®

2.5 mm²/AWG 14
2.5 mm²/AWG 14

231
731

204 - 207
204 - 207



Accessories, General – Section 10

488 - 505

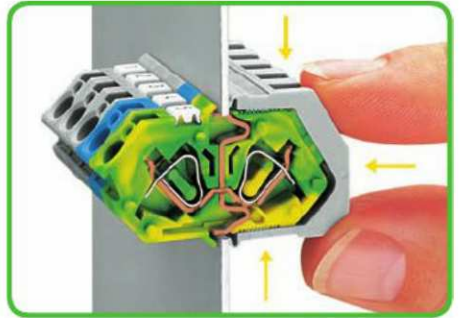
Description and Handling 826, 231, 731 and 226 Series



Insert the terminal strip into the cut-out until the stop hits the enclosure wall.

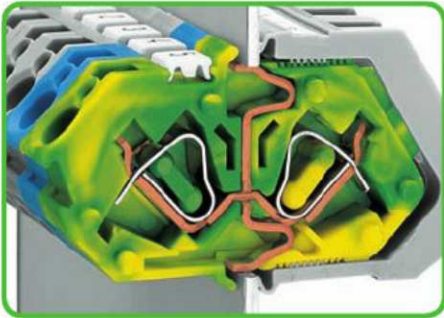


Secure the terminal strip to the inner side of the cut-out retaining clips ...



... push retaining clips until stop and press together in the direction of the terminal center.

Ground contact

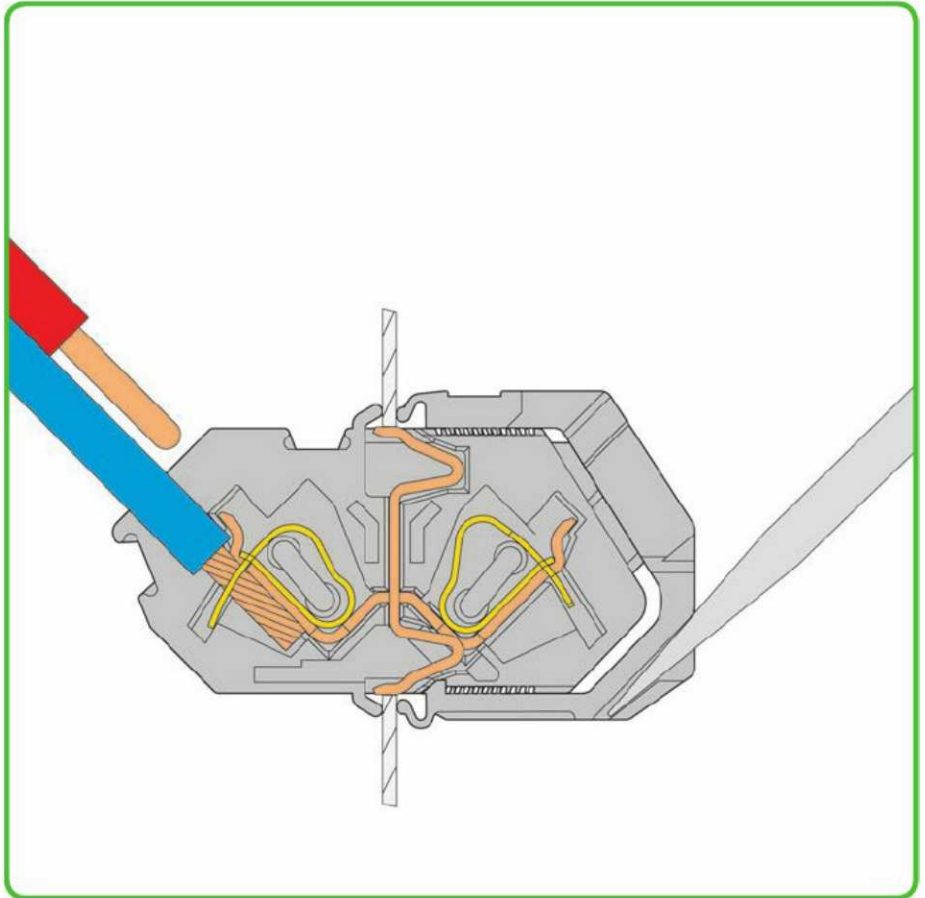


Automatic, double contact of the ground contact to the enclosure wall.



Inserting a conductor via screwdriver.

826 Series

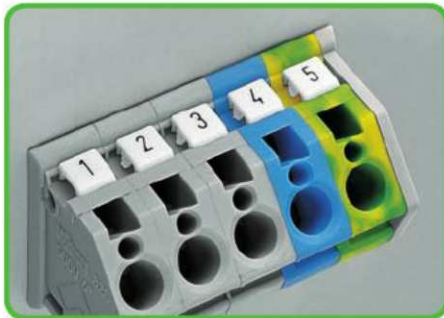


Testing



Testing with test plug, 2 mm or 2.3 mm Ø.

Marking



Marking via miniature WSB marking system, directly on the terminals.



Self-adhesive marking strips adhere directly on the retaining clips.



CAGE CLAMP® clamps the following copper conductors:*

solid



stranded



fine-stranded, also with tinned single strands

* For aluminum conductors, see notes in Section 11.



PCB feedthrough terminal strips.
Front-entry termination of conductors.

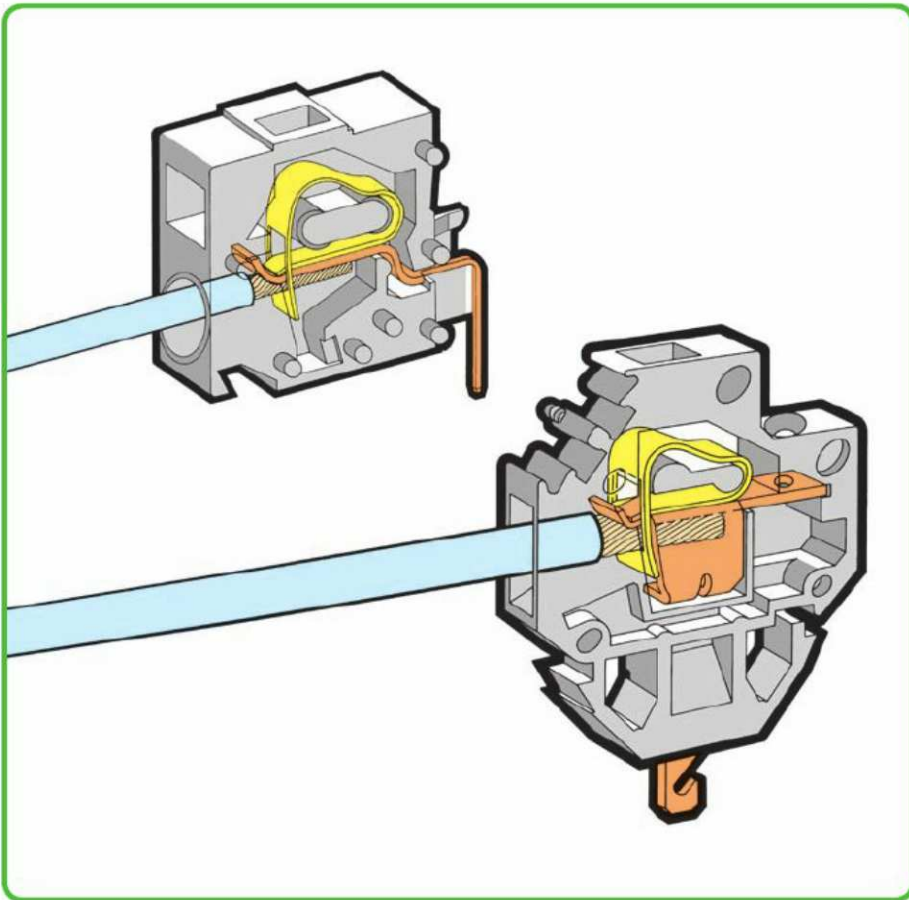


PCB feedthrough terminal strips can be used as front panel feedthrough for external conductor termination ...



... or with fixing flanges for mounting on the PCB or at the front panel. May be flush with enclosure or protrude.

231, 731 and 226 Series



Mounting

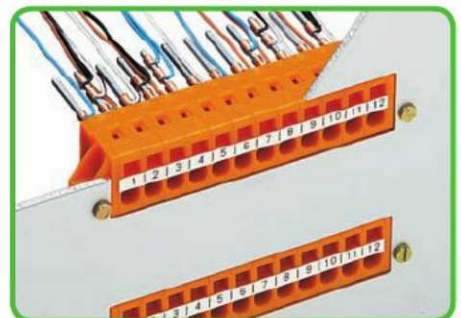


Snapping a 226 Series terminal block into the cut-out.

Testing



Testing with 2 mm Ø test plug, touch contact with current bar.



Feedthrough terminal strips with fixing flanges.



fine-stranded,
tip bonded



fine-stranded,
with crimped ferrule
(gas-tight)



fine-stranded,
with crimped pin
terminal (gas-tight)

Panel Feedthrough Terminal Blocks 4 mm² Pin spacing 7 mm 826 Series



- Panel feedthrough terminal blocks with screwdriver-actuated CAGE CLAMP®
- Easy, tool-free installation
- Makes direct ground contact with enclosure/panel
- Test ports available on both sides

Technical data:

Pin Spacing	7 mm 0.276 in		
Rating per	IEC/EN 60664-1		
Overvoltage category	III	III	II
Pollution degree	3	2	2
Rated voltage	320 V	320 V	630 V
Rated surge voltage	4 kV	4 kV	4 kV
Nominal current	32 A	32 A	32 A
Approvals per	UL/CSA		
Use group UL 1059	B	C	D
Rated voltage	300 V	150 V	300 V
Nominal current UL	20 A	20 A	10 A
Nominal current CSA	20 A	20 A	10 A

Conductor data:

Connection technology	CAGE CLAMP®
Conductor size: solid	0.08 - 4 mm ²
Conductor size: fine-stranded	0.08 - 4 mm ²
Conductor size: fine-stranded	0.25 - 2.5 mm ² (with insulated ferrule)
Conductor size: fine-stranded	0.25 - 2.5 mm ² (with uninsulated ferrule)
AWG	28 - 12
Strip length	9 - 10 mm / 0.35 - 0.39 in

Material data:

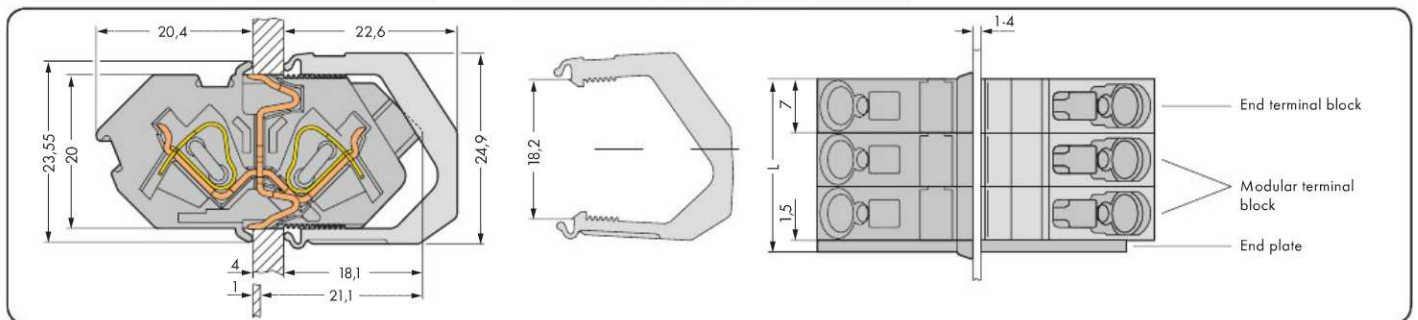
Material group	I
Insulating material	Nylon 6.6 (PA 6.6)
Temperature stability	-60°C to +105°C
Flammability rating per UL 94	V0
Clamping spring material	Chrome-nickel spring steel (CrNi)
Contact material	Electrolytic copper (E _{cu})
Contact plating	tin-plated

826 Series accessories:

Page:

Marking accessories	498 - 501
Operating tools	490 - 493
Test plugs	502

End and center terminal blocks Pin spacing 7 mm / 0.276 in		Modular terminal blocks Pin spacing 7 mm / 0.276 in		Compact terminal blocks Pin spacing 7 mm / 0.276 in	
0.08 - 4 mm ²	AWG 28 - 12	0.08 - 4 mm ²	AWG 28 - 12	0.08 - 4 mm ²	AWG 28 - 12
320 V/4 kV/2 32 A	300 V/10 A	320 V/4 kV/2 32 A	300 V/10 A	320 V/4 kV/2 32 A	300 V/10 A



Cut-out dimensions: H = 20.1^{+0.1} mm; L = (pole no. x 7 mm) + 1.6^{+0.1} mm

Color	Item No.	Pack. Unit	Color	Item No.	Pack. Unit	Pole No.	Item No.	Pack. Unit
Modular, panel feedthrough end terminal block			Modular, panel feedthrough terminal block, including end plate and retaining clips			Compact panel feedthrough terminal block, including end plate and retaining clips, gray		
● gray	826-159	50	● gray	826-161	50	2	826-162	50
						3	826-163	50
						4	826-164	50
						5	826-165	50
						6	826-166	50
Modular, panel feedthrough center terminal block						7	826-167	25
● gray	826-160	50				8	826-168	25
						9	826-169	25
						10	826-170	25
						11	826-171	10
						12	826-172	10

End plates for 826 Series, snap-on type, 1.5 mm/0.059 in thick	Color	Item No.	Pack. Unit
	gray	826-158	100 (4 x 25)
	blue	826-158/000-006	100 (4 x 25)
	green-yellow	826-158/000-016	100 (4 x 25)

Retaining clips for 826 Series, gray	Color	Item No.	Pack. Unit
	1-pole	826-155	50 (2 x 25)
	2-pole	826-156	50 (2 x 25)
	3-pole	826-157	50 (2 x 25)

Item no. suffixes for colored panel feedthrough and compact terminal blocks:

● blue/000-006	Ordering example: Compact terminal block, 7 mm pin spacing, 8-pole, blue: 826-168/000-016
● green-yellow/000-016	

Modular Feedthrough Terminal Blocks 4 mm² 226 Series



- Feedthrough terminal blocks with screwdriver-actuated CAGE CLAMP®
- Tool-free assembly via simple latching of terminal blocks to cut-out's inner side
- Conductor entry parallel to enclosure wall saves space

Technical data:	Quick connect/ solder contact:			Wire-wrap pin:			Pin:		
	2.8 mm 0.110 in	4.8 mm 0.189 in		1 x 1 mm 0.039 in x 0.039 in			0.8 x 1.6 mm 0.031 in x 0.063 in		
Rating per	IEC/EN 60664-1			IEC/EN 60664-1			IEC/EN 60664-1		
Overtoltage category	III	III	II	III	III	II	III	III	II
Pollution degree	3	2	2	3	2	2	3	2	2
Rated voltage	320 V	320 V	630 V	320 V	320 V	630 V	320 V	320 V	630 V
Rated surge voltage	4 kV	4 kV	4 kV	4 kV	4 kV	4 kV	4 kV	4 kV	4 kV
Nominal current (quick connect contact)	6 A	6 A	6 A	4 A	4 A	4 A	4 A	4 A	4 A
Nominal current (solder contact)	20 A	20 A	20 A	4 A	4 A	4 A	4 A	4 A	4 A
Approvals per	UL/CSA			UL/CSA			UL/CSA		
Use group UL 1059	B	C	D	B	C	D	B	C	D
Rated voltage	300 V	300 V	600 A	300 V	300 V	600 V	300 V	300 V	600 V
Nominal current UL (quick connect contact)	6 A	6 A	5 A	4 A	4 A	4 A	4 A	4 A	4 A
Nominal current UL (solder contact)	20 A	20 A	5 A	4 A	4 A	4 A	4 A	4 A	4 A
Nominal current CSA (quick connect contact)	6 A	6 A	5 A	4 A	4 A	4 A	4 A	4 A	4 A
Nominal current CSA (solder contact)	20 A	20 A	5 A	4 A	4 A	4 A	4 A	4 A	4 A

Conductor data:

Connection technology	CAGE CLAMP®
Conductor size: solid	0.08 - 4 mm ²
Conductor size: fine-stranded	0.08 - 4 mm ²
Conductor size: fine-stranded	0.25 - 2.5 mm ² (with insulated ferrule)
Conductor size: fine-stranded	0.25 - 2.5 mm ² (with uninsulated ferrule)
AWG	28 - 12
Strip length	9 - 10 mm / 0.35 - 0.39 in

Material data:

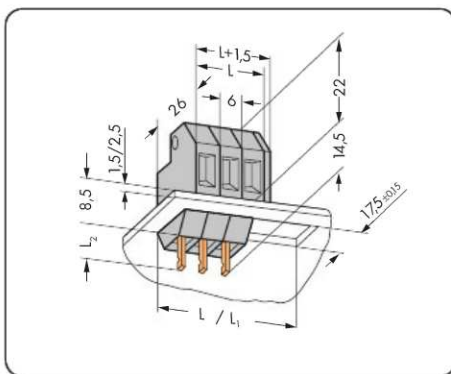
Material group	I
Insulating material	Nylon 6.6 (PA 6.6)
Temperature stability	-60°C to +105°C
Flammability rating per UL 94	V0
Clamping spring material	Chrome-nickel spring steel (CrNi)
Contact material	Electrolytic copper (E _{cu})
Contact plating	tin-plated

226 Series accessories:

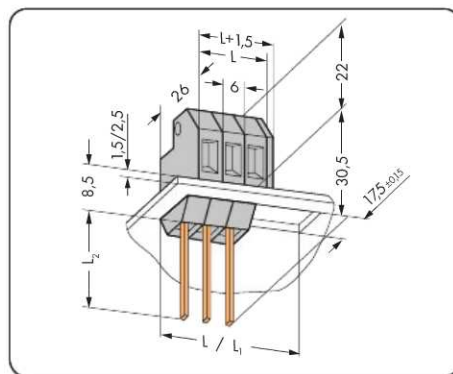
Page:

Marking accessories	498 - 501
Operating tools	490 - 493

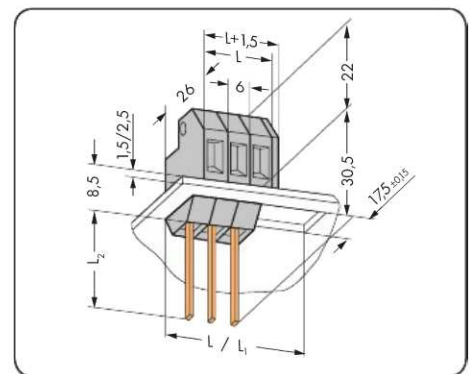
With quick connect/solder contact		With wire-wrap pin 1 x 1 mm		With pin 0.8 x 1.6 mm	
0.08 - 4 mm ²	AWG 28 - 12	0.08 - 4 mm ²	AWG 28 - 12	0.08 - 4 mm ²	AWG 28 - 12
320 V/4 kV/2 6/20 A	300 V 6/20 A	320 V/4 kV/2 4 A	300 V/4 A	320 V/4 kV/2 4 A	300 V/4 A



L = pole no. x 6 mm; L₁ = L + 1.5 mm
 Feedthrough terminal block L₂ = 6 mm
 Ground cond. feedthrough terminal block L₂ = 10.7 mm



L = pole no. x 6 mm
 L₁ = L + 1.5 mm
 Feedthrough terminal block L₂ = 22 mm



L = pole no. x 6 mm
 L₁ = L + 1.5 mm
 Feedthrough terminal block L₂ = 22 mm

Contact Dimensions	Item No.	Pack. Unit	Item No.	Pack. Unit	Item No.	Pack. Unit		
Modular feedthrough terminal block, thickness of mounting plate 1.5 mm quick connect/solder contact, gray			Modular feedthrough terminal block, thickness of mounting plate 1.5 mm wire-wrap pin 1 x 1 mm, gray			Modular feedthrough terminal block, thickness of mounting plate 1.5 mm pin 0.8 x 1.6 mm, gray		
2.8 x 0.8	226-101	200	226-102	150	226-103	150		
4.8 x 0.8	226-104	200						
Modular feedthrough terminal block, thickness of mounting plate 2.5 mm quick connect/solder contact, gray			Modular feedthrough terminal block, thickness of mounting plate 2.5 mm wire-wrap pin 1 x 1 mm, gray			Modular feedthrough terminal block, thickness of mounting plate 2.5 mm pin 0.8 x 1.6 mm, gray		
2.8 x 0.8	226-111	200	226-112	150	226-113	150		
4.8 x 0.8	226-114	200						
Ground cond. feedthrough terminal block, thickness of mounting plate 1.5 mm quick connect/solder contact, green-yellow								
4.8 x 0.8	226-107	200						
Ground cond. feedthrough terminal block, thickness of mounting plate 1.5 mm without quick connect/solder contact, with direct contact to metal enclosure, green-yellow								
	226-108	200						
Accessories			Item No.	Pack. Unit				
Spacer, 6 mm wide for 1.5 mm plate thickness, gray			226-109	25				
Spacer, 6 mm wide for 2.5 mm plate thickness, gray			226-119	25				
End plate, long: 1.5 mm wide for cut-out L ₁ , gray			226-110	25				
End plate, short: 1.5 mm wide for cut-out L, gray			226-120	25				