























Modular PCB Terminal Blocks and Terminal Strips 4 mm²/AWG 12 Pin Spacings 5 mm/0.197 in, 7.5 mm/0.295 in and 10 mm/0.394 in Series 745

Pin spacing 5 mm / 0.197 in 0.08 – 4 mm ² AWG 28 – 12 250 V/4 kV/3 300 V, 20 A I _N 20 A  8 – 9 mm / 0.33 in Approvals	Pin spacing 7.5 mm / 0.295 in 0.08 – 4 mm ² AWG 28 – 12 500 V/6 kV/3 300 V, 20 A I _N 20 A  8 – 9 mm / 0.33 in Approvals	Pin spacing 10 mm / 0.394 in 0.08 – 4 mm ² AWG 28 – 12 630 V/8 kV/3 300 V, 20 A I _N 20 A  8 – 9 mm / 0.33 in Approvals
--	---	--

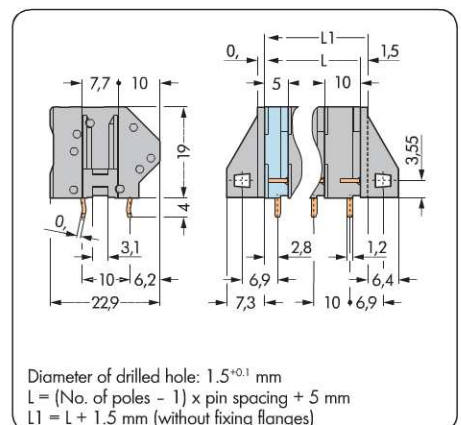
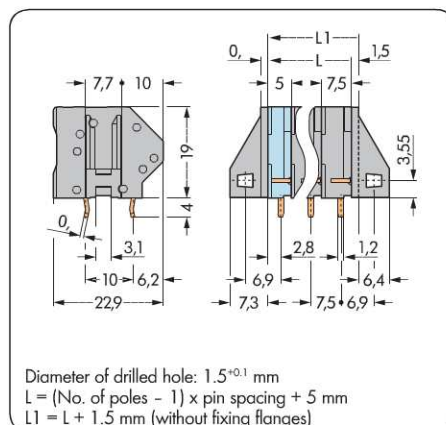
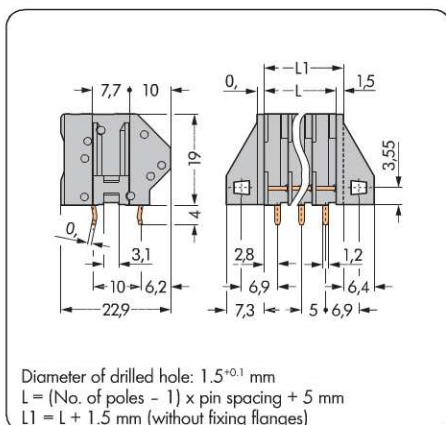
Color	Item No.	Color	Item No.	Color	Item No.
Modular terminal block, 2 solder pins/pole		Modular terminal block, 2 solder pins/pole		Modular terminal block, 2 solder pins/pole	
	gray 745-801		gray 745-811		gray 745-821
	light gray 745-803		light gray 745-813		light gray 745-823
	blue 745-804		blue 745-814		blue 745-824
	green-yellow 745-807		green-yellow 745-817		green-yellow 745-827
	light green 745-808		light green 745-818		light green 745-828
No. of poles	Item No.	No. of poles	Item No.	No. of poles	Item No.
Terminal strip without fixing flanges, gray, 2 solder pins/pole		Terminal strip without fixing flanges, gray, 2 solder pins/pole		Terminal strip without fixing flanges, gray, 2 solder pins/pole	
	2 745-102		2 745-152		2 745-202
	3 745-103		3 745-153		3 745-203
	4 745-104		4 745-154		4 745-204
	5 745-105		5 745-155		5 745-205
:	:	:	:	:	:
10	745-110	10	745-160	10	745-210
12	745-112	12	745-162	12	745-212

Accessories, Series 745

Appropriate marking systems: **WMB/Miniature WSB**

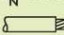
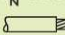
	End plate, snap-on type, 1.5 mm/0.059 in thick gray 745-100		End plate, snap-on type, 1.5 mm/0.059 in thick gray 745-100		End plate, snap-on type, 1.5 mm/0.059 in thick gray 745-100
	End plate with fixing flange gray 745-140		End plate with fixing flange gray 745-140		End plate with fixing flange gray 745-140
	End plate with fixing flange gray 745-145		End plate with fixing flange gray 745-145		End plate with fixing flange gray 745-145
	Test plug, with cable 500 mm/1'7.7" Ø 2 mm/0.079 in, red 210-136 Ø 2.3 mm/0.091 in, yel. 210-137		Operating tool, with partially insulated shaft, (3.5 x 0.5) mm/ (0.137 x 0.020) in 210-720		Test plug, with cable 500 mm/1'7.7" Ø 2 mm/0.079 in, red 210-136 Ø 2.3 mm/0.091 in, yel. 210-137
	Comb-style jumper bar 1 to 3 745-181		Comb-style jumper bar 1 to 3 745-191		Comb-style jumper bar 1 to 3 745-281
	2-way 745-182		2-way 745-192		2-way 745-282
	3-way 745-183		3-way 745-193		3-way 745-283
	4-way 745-184		4-way 745-194		4-way 745-284
	5-way 745-185		5-way 745-195		5-way 745-285
	10-way 745-180		10-way 745-190		10-way 745-280

Dimensions (in mm)

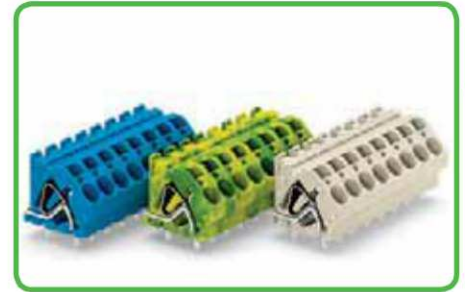



Approvals are available online at: www.wago.com.
 For technical explanations and abbreviations, see technical section.

Modular PCB Terminal Blocks and Terminal Strips 6 mm²/AWG 10, Pin Spacing 7.5 mm/0.295 in and 10 mm/0.394 in, Series 745

Pin spacing 7.5 mm / 0.295 in 0.2 – 6 mm ² AWG 24 – 10 400 V/6 kV/3 300 V, 30 A I _N 32 A  11 – 12 mm / 0.45 in Approvals	Pin spacing 10 mm / 0.394 in 0.2 – 6 mm ² AWG 24 – 10 630 V/8 kV/3 300 V, 30 A I _N 32 A  11 – 12 mm / 0.45 in Approvals
---	--











Color	Item No.	Color	Item No.
Modular terminal block, 2 solder pins/pole		Modular terminal block, 2 solder pins/pole	
	gray 745-831		gray 745-841
	light gray 745-833		light gray 745-843
	blue 745-834		blue 745-844
	green-yellow 745-837		green-yellow 745-847
	light green 745-838		light green 745-848



No. of poles	Item No.	No. of poles	Item No.
Terminal strip without fixing flanges, gray, 2 solder pins/pole		Terminal strip without fixing flanges, gray, 2 solder pins/pole	
	2 745-302		2 745-352
	3 745-303		3 745-353
	4 745-304		4 745-354
	5 745-305		5 745-355
:	:	:	:
10	745-310	10	745-360
12	745-312	12	745-362

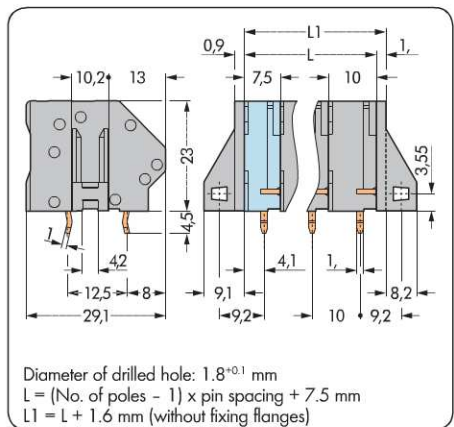
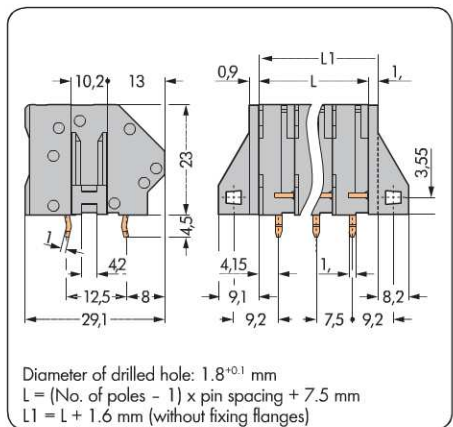
Additional item nos. for colored terminal strips and end plates:

blue	.../...-006
light gray	.../...-009
green-yellow	.../...-016
light green	.../...-017

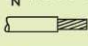
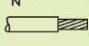
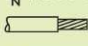
Accessories, Series 745		Appropriate marking systems: WMB/Miniature WSB	
	End plate, snap-on type, 1.6 mm /0.063 in thick gray 745-300		End plate, snap-on type, 1.6 mm /0.063 in thick gray 745-300
	End plate with fixing flange gray 745-340		End plate with fixing flange gray 745-340
	End plate with fixing flange gray 745-345		End plate with fixing flange gray 745-345
	Test plug, with cable 500 mm/1'7.7" Ø 2 mm/0.079 in, red 210-136 Ø 2.3 mm/0.091 in, yel. 210-137		Operating tool, with partially insulated shaft, (5.5 x 0.8) mm/ (0.217 x 0.031) in 210-721
	Comb-style jumper bar 1 to 3 745-381 2-way 745-382 3-way 745-383 4-way 745-384 5-way 745-385 10-way 745-380		Comb-style jumper bar 1 to 3 745-391 2-way 745-392 3-way 745-393 4-way 745-394 5-way 745-395 10-way 745-390






















Terminal strips with blue insulation are suitable for Ex i applications (only for pin spacing 7.5 mm/0.295 in and 10 mm/0.394 in)

Dimensions (in mm)



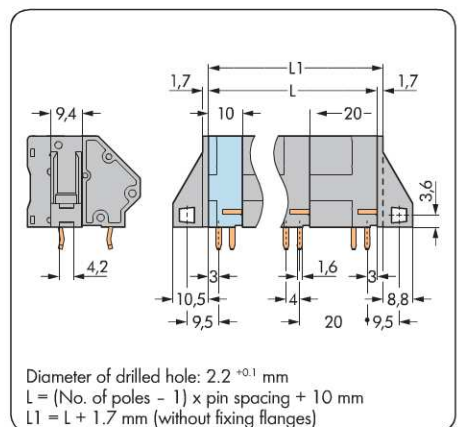
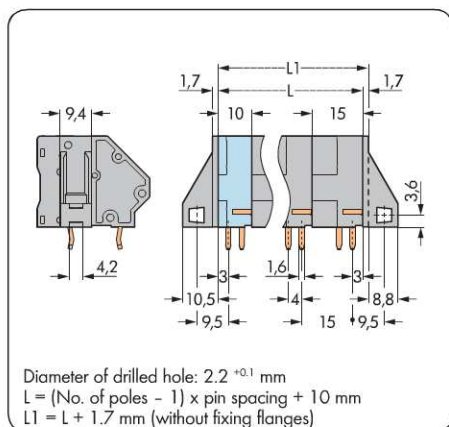
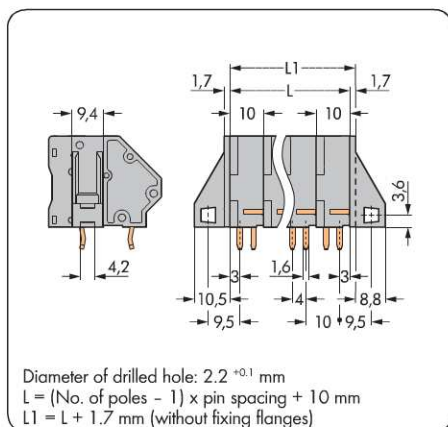
Modular PCB Terminal Blocks and Terminal Strips 16 mm²/AWG 6 Pin Spacings 10 mm/0.394 in, 15 mm/0.591 in and 20 mm/0.787 in Series 745

Pin spacing 10 mm / 0.394 in 0.2 – 16 mm ² AWG 24 – 6 250 V/4 kV/3 300 V, 65 A I _N 76 A ①  12 – 13 mm / 0.49 in ③ Approvals	Pin spacing 15 mm / 0.591 in 0.2 – 16 mm ² AWG 24 – 6 630 V/8 kV/3 300 V, 65 A I _N 76 A ①  12 – 13 mm / 0.49 in ③ Approvals	Pin spacing 20 mm / 0.787 in 0.2 – 16 mm ² AWG 24 – 6 1000 V/12 kV/3 600 V, 65 A I _N 76 A ①  12 – 13 mm / 0.49 in ③ Approvals
---	--	--

Color	Item No.	Color	Item No.	Color	Item No.
Modular terminal block, 2 solder pins/pole  <ul style="list-style-type: none"> gray 745-851/006-000 light gray 745-853/006-000 blue 745-854/006-000 green-yel. 745-857/006-000 light green 745-858/006-000 		Modular terminal block, 2 solder pins/pole  <ul style="list-style-type: none"> gray 745-871/006-000 light gray 745-873/006-000 blue 745-874/006-000 green-yel. 745-877/006-000 light green 745-878/006-000 		Modular terminal block, 2 solder pins/pole  <ul style="list-style-type: none"> gray 745-881/006-000 light gray 745-883/006-000 blue 745-884/006-000 green-yel. 745-887/006-000 light green 745-888/006-000 	
No. of poles Item No. Terminal strip without fixing flanges, gray, 4 solder pins/pole  <ul style="list-style-type: none"> 2 745-502/006-000 3 745-503/006-000 4 745-504/006-000 5 745-505/006-000 		No. of poles Item No. Terminal strip without fixing flanges, gray, 4 solder pins/pole  <ul style="list-style-type: none"> 2 745-602/006-000 3 745-603/006-000 4 745-604/006-000 5 745-605/006-000 		No. of poles Item No. Terminal strip without fixing flanges, gray, 4 solder pins/pole  <ul style="list-style-type: none"> 2 745-652/006-000 3 745-653/006-000 4 745-654/006-000 5 745-655/006-000 	
Accessories, Series 745 Appropriate marking systems: WMB/Miniature WSB					
 End plate, snap-on type, 1.7 mm/0.059 in thick, gray 745-500		 End plate, snap-on type, 1.7 mm/0.059 in thick, gray 745-500		 End plate, snap-on type, 1.7 mm/0.059 in thick, gray 745-500	
 End plate with fixing flange gray 745-540		 End plate with fixing flange gray 745-540		 End plate with fixing flange gray 745-540	
 End plate with fixing flange gray 745-545		 End plate with fixing flange gray 745-545		 End plate with fixing flange gray 745-545	
 Test plug, with cable 500 mm/1'7.7" Ø 2 mm/0.079 in, red 210-136 Ø 2.3 mm/0.091 in, yel. 210-137		 Operating tool, with partially insulated shaft, (5.5 x 0.8) mm/ (0.217 x 0.031) in 210-721		 Test plug, with cable 500 mm/1'7.7" Ø 2 mm/0.079 in, red 210-136 Ø 2.3 mm/0.091 in, yel. 210-137	
 Comb-style jumper bar 1 to 3 745-682		 Comb-style jumper bar 1 to 3 745-631		 Comb-style jumper bar 1 to 3 745-681	
 2-way 745-582		 2-way 745-632		 2-way 745-682	
 3-way 745-583		 3-way 745-633		 3-way 745-683	
 4-way 745-584		 4-way 745-634		 4-way 745-684	
 5-way 745-585		 5-way 745-635		 5-way 745-685	

② Terminal blocks with blue insulation are suitable for Ex i applications (only for pin spacing 15 mm/0.591 in and 10 mm/0.394 in)

Dimensions (in mm)



① Currents require an adapted PCB track design

Lever-Actuated Terminal Strips 16 mm²/AWG 6, without Jumper Slot, Pin Spacings 10 mm/0.394 in and 15 mm/0.591 in Series 2716



CAGE CLAMP®

Pin spacing 10 mm / 0.394 in 1.5 – 16 mm ² AWG 16 – 6 250 V/4 kV/3, 76 A 150 V, 55 A 500 V/4 kV/2, 76 A 300 V, 10 A	Pin spacing 15 mm / 0.591 in 1.5 – 16 mm ² AWG 16 – 6 630 V/8 kV/3, 76 A 600 V, 55 A 1000 V/8 kV/2, 76 A
Ⓢ Approvals	Ⓢ Approvals

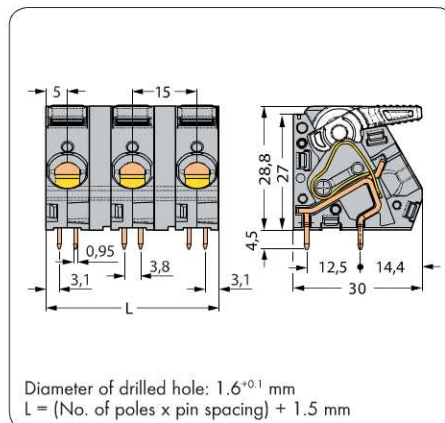
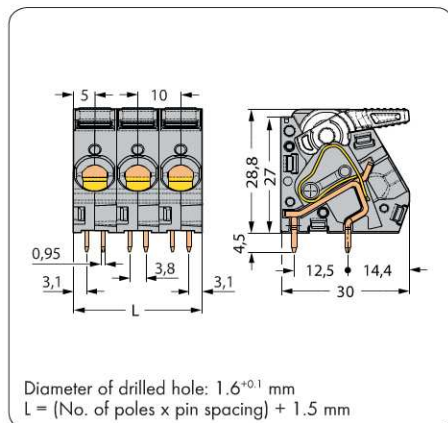


No. of poles Color	Item No.	PU	No. of poles Color	Item No.	PU
Terminal strip, gray, with actuating lever, without jumper slot			Terminal strip, gray, with actuating lever, without jumper slot		
2	2716-102	65	2	2716-202	50
3	2716-103	40	3	2716-203	30
4	2716-104	30	4	2716-204	20
5	2716-105	25	5	2716-205	15
6	2716-106	20	6	2716-206	15
7	2716-107	15	7	2716-207	10
8	2716-108	15	8	2716-208	10
For other lengths, please contact factory Additional item nos. for colored terminal blocks:			For other lengths, please contact factory Additional item nos. for colored terminal blocks:		
blue	.../000-006	●	blue	.../000-006	●
light gray	.../000-009	○	light gray	.../000-009	○
green-yellow	.../000-016	●	green-yellow	.../000-016	●
light green	.../000-017	●	light green	.../000-017	●

Accessories, Series 2716

Test plug, with cable 500 mm/1'7.7"  210-136 Ø 2 mm/0.079 in, red 210-137 Ø 2.3 mm/0.091 in, yel.	Test plug, with cable 500 mm/1'7.7"  210-136 Ø 2 mm/0.079 in, red 210-137 Ø 2.3 mm/0.091 in, yel.
---	---

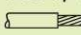

Dimensions (in mm)



Lever-Actuated Terminal Strips 16 mm²/AWG 6, with Jumper Slot

Pin spacings 10 mm/0.394 in and 15 mm/0.591 in

Series 2716

<p>Pin spacing 10 mm / 0.394 in 1.5 – 16 mm² AWG 16 – 6 250 V/4 kV/3, 76 A 150 V, 55 A 500 V/4 kV/2, 76 A 300 V, 10 A</p> <p> 12 – 13 mm / 0.49 in</p> <p>Approvals</p>	<p>Pin spacing 15 mm / 0.591 in 1.5 – 16 mm² AWG 16 – 6 630 V/8 kV/3, 76 A 600 V, 55 A 1000 V/8 kV/2, 76 A</p> <p> 12 – 13 mm / 0.49 in</p> <p>Approvals</p>
---	---

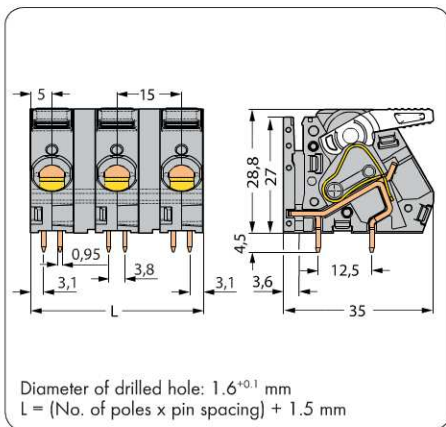
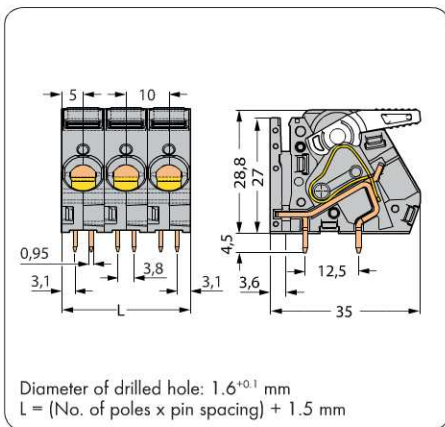


No. of poles Color	Item No.	PU	No. of poles Color	Item No.	PU
Terminal strip, gray, with actuating lever, with jumper slot			Terminal strip, gray, with actuating lever, with jumper slot		
2	2716-152	52	2	2716-252	40
3	2716-153	32	3	2716-253	24
4	2716-154	24	4	2716-254	16
5	2716-155	20	5	2716-255	12
6	2716-156	16	6	2716-256	12
7	2716-157	12	7	2716-257	8
8	2716-158	12	8	2716-258	8
For other lengths, please contact factory Additional item nos. for colored terminal blocks:			For other lengths, please contact factory Additional item nos. for colored terminal blocks:		
blue	.../000-006		blue	.../000-006	
light gray	.../000-009		light gray	.../000-009	
green-yellow	.../000-016		green-yellow	.../000-016	
light green	.../000-017		light green	.../000-017	

Accessories, Series 2716

 <p>Comb-style jumper bar 1 to 3 745-682 200 (4 x 50)</p> <p>2-way 745-582 200 (4 x 50) 3-way 745-583 200 (4 x 50) 4-way 745-584 200 (4 x 50) 5-way 745-585 200 (4 x 50)</p>	 <p>Comb-style jumper bar 1 to 3 745-631 200 (4 x 50)</p> <p>2-way 745-632 200 (4 x 50) 3-way 745-633 200 (4 x 50) 4-way 745-634 200 (4 x 50) 5-way 745-635 200 (4 x 50)</p>	 <p>Test plug, with cable 500 mm/1'7.7" 210-136 Ø 2 mm/0.079 in, red 210-137 Ø 2.3 mm/0.091 in, yel.</p>
---	---	--

Dimensions (in mm)



Approvals are available online at: www.wago.com.

For technical explanations and abbreviations, see technical section.