

# MULTI CONNECTION SYSTEM MIDI – 100% Protected against Mismatching Headers with Solder Pins; Male Connectors

## Pin Spacings 5 mm/0.197 in and 7.5 mm/0.295 in

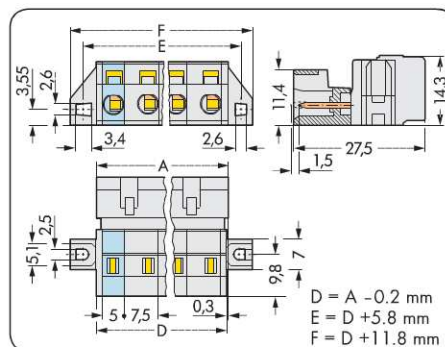
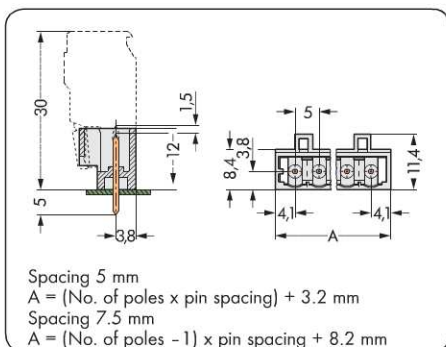
<b>Pin spacing 5 mm/0.197 in, light gray</b> 250 V/4 kV/3   300 V, 10 A $I_N$ 12 A   300 V, 15 A <b>Pin spacing 7.5 mm/0.295 in, light gray</b> 400 V/6 kV/3   300 V, 10 A $I_N$ 12 A   300 V, 15 A Approvals	0.08 – 2.5 mm <sup>2</sup>   AWG 28 – 12* <b>Pin spacing 5 mm/0.197 in, light gray</b> 250 V/4 kV/3, 12 A   300 V, 15 A <b>Pin spacing 7.5 mm/0.295 in, light gray</b> 400 V/6 kV/3   300 V, 15 A 7 mm / 0.28 in Approvals	<b>Accessories</b>
---	--	--------------------

### CAGE CLAMP®



No. of poles	Item No.	Item No.	No. of poles	Item No.	Item No.	Accessories, Series 721 and 723	Item No.
Header with solder pins, 100% protected against mismatching, light gray, solder pin (1 x 1) mm/(0.039 x 0.039) in			Male connector with CAGE CLAMP®, 100% protected against mismatching, light gray			Marker strips, 100 self-adhesive strips	
Pin spacing 5 mm/0.197 in			Pin spacing 5 mm/0.197 in			Spacing 5 mm/0.197 in	
	straight	angled			with fixing flanges	1-12 (300x) 210-331/0500-0103	
2	721-132/001-000	721-432/001-000	2	721-602	721-602/019-000	13-24 (300x) 210-331/0500-0104	
3	721-133/001-000	721-433/001-000	3	721-603	721-603/019-000	Spacing 7.5 mm/0.295 in	
4	721-134/001-000	721-434/001-000	4	721-604	721-604/019-000	1-16 (100x) 210-331/0750-0202	
5	721-135/001-000	721-435/001-000	5	721-605	721-605/019-000	Coding key, snap-on type,	
6	721-136/001-000	721-436/001-000	6	721-606	721-606/019-000	Spacing 5 mm/0.197 in	
7	721-137/001-000	721-437/001-000	7	721-607	721-607/019-000	light gray 231-129	
8	721-138/001-000	721-438/001-000	8	721-608	721-608/019-000	Spacing 7.5 mm/0.295 in	
9	721-139/001-000	721-439/001-000	9	721-609	721-609/019-000	light gray 231-130	
10	721-140/001-000	721-440/001-000	10	721-610	721-610/019-000	Insulation stop, 5 pcs/strip	
12	721-142/001-000	721-442/001-000	12	721-612	721-612/019-000	Spacing 5 mm/0.197 in	
14	721-144/001-000	721-444/001-000	14	721-614	721-614/019-000	0.08-0.2mm <sup>2</sup> ②	
16	721-146/001-000	721-446/001-000	16	721-616	721-616/019-000	white 231-670	
20	721-150/001-000	721-450/001-000	20	721-620	721-620/019-000	0.25-0.5 mm <sup>2</sup>	
Pin spacing 7.5 mm/0.295 in			Pin spacing 7.5 mm/0.295 in			light gray 231-671	
	straight	angled			with fixing flanges	0.75-1 mm <sup>2</sup>	
2	721-232/001-000	721-832/001-000	2	723-602	723-602/019-000	dark gray 231-672	
3	721-233/001-000	721-833/001-000	3	723-603	723-603/019-000	Spacing 7.5 mm/0.295 in	
4	721-234/001-000	721-834/001-000	4	723-604	723-604/019-000	0.08-0.2mm <sup>2</sup> ②	
5	721-235/001-000	721-835/001-000	5	723-605	723-605/019-000	white 231-673	
6	721-236/001-000	721-836/001-000	6	723-606	723-606/019-000	0.25-0.5 mm <sup>2</sup>	
7	721-237/001-000	721-837/001-000	7	723-607	723-607/019-000	light gray 231-674	
8	721-238/001-000	721-838/001-000	8	723-608	723-608/019-000	0.75-1 mm <sup>2</sup>	
9	721-239/001-000	721-839/001-000	9	723-609	723-609/019-000	dark gray 231-675	
10	721-240/001-000	721-840/001-000	10	723-610	723-610/019-000	② 0.2 mm <sup>2</sup> "s" (0.14 mm <sup>2</sup> "f-st")	
11	721-241/001-000	721-841/001-000	11	723-611	723-611/019-000	Fixing element, horizontal	
12	721-242/001-000	721-842/001-000	12	723-612	723-612/019-000	gray 231-193	

Dimensions (in mm) Diameter of drilled hole: 1.4 ±0.1 mm (solder pin 1 mm x 1 mm)



\* AWG 12: THHN, THWN

For technical explanations and abbreviations, see technical section.