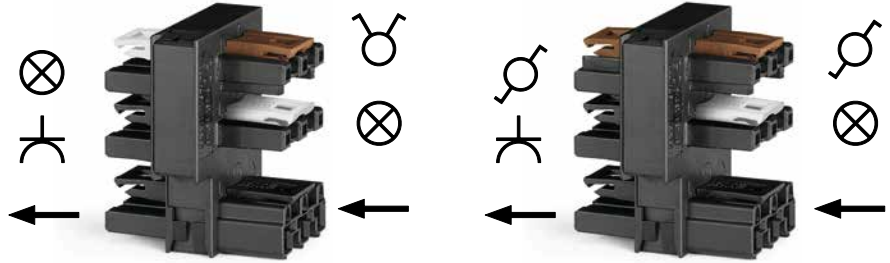


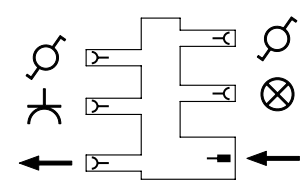
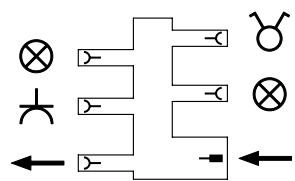
WINSTA® MIDI Distribution Connectors, 3-Pole

	<p>250 V/4 kV/3 I_N 25 A</p> <p>① Approvals</p>	<p>250 V/4 kV/3 I_N 25 A</p> <p>① Approvals</p>
--	---	---



Description	Color	Item No.	Pack. Unit	Color	Item No.	Pack. Unit
Distribution connectors, pluggable	Distribution connector for single-pole switch and series circuits, 1 x plug, coding A, LL ④ black/white			Distribution connector for single-pole switch and two-way circuits, 1 x plug, coding A, LL ④ black/white		
	2 x socket, coding A, LL ④ black/white			2 x socket, coding A, LL ④ black/white		
	2 x socket, coding A (lighting fixtures), LL ④ white/black			2 x socket, coding A (lighting fixtures), LL ④ white/black		
	1 x socket, coding S (switch), LL ④ brown			1 x socket, coding S (switch), LL ④ brown		
	● black	770-637	10	● black	770-638	10
○ white	770-687	10	○ white	770-688	10	

Item-Specific Accessories						
			Mounting plate, for distribution connectors		Mounting plate, for distribution connectors	
				black 770-623 25		black 770-623 25
				white 770-673 25		white 770-673 25
			Fixing pin, for mounting plates		Fixing pin, for mounting plates	
				② black 890-601 250		② black 890-601 250
				③ black 770-601 250		③ black 770-601 250
			Lockout cap, for socket, separable, 12-pole		Lockout cap, for socket, separable, 12-pole	
				black 770-201 100		black 770-201 100
				white 770-221 100		white 770-221 100
			Lockout cap, for plug, separable, 5-pole		Lockout cap, for plug, separable, 5-pole	
				yellow 770-360 100		yellow 770-360 100



① For "International Certification Organizations" and "Approvals – User Guide", see pages 300 to 303.

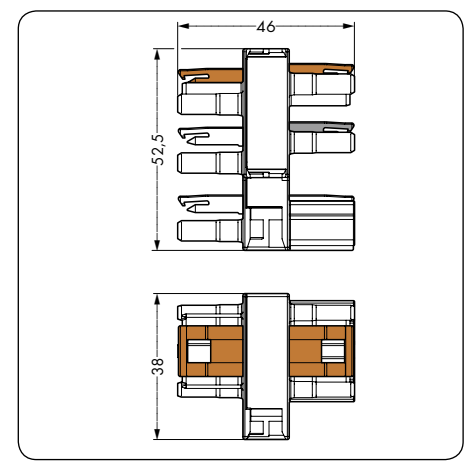
② 5.0 mm Ø, 0.2–1.2 mm plate thickness

③ 6.0 mm Ø, 1–2.5 mm plate thickness

④ LL = Locking lever

● black Coding A (L ⊕ N)
○ white Coding A (L ⊕ N)
● brown Coding S

For coding information, see pages 284 to 286.
Fire load data available upon request.



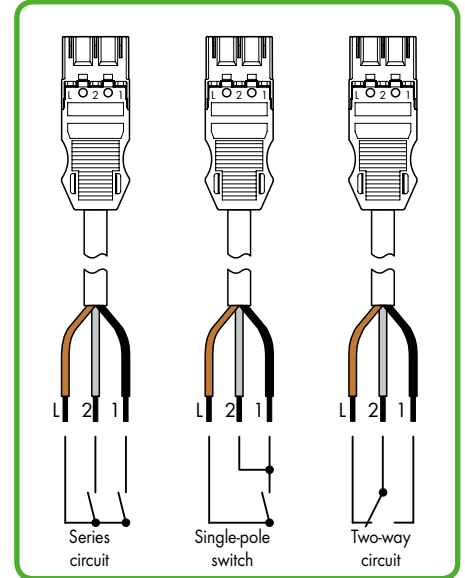
WINSTA® MIDI Shorting Plugs, 3-Pole

250 V/4 kV/3
I_N 25 A

Note:
Before finally connecting the switches, the shorting plugs may be used to switch on or off.

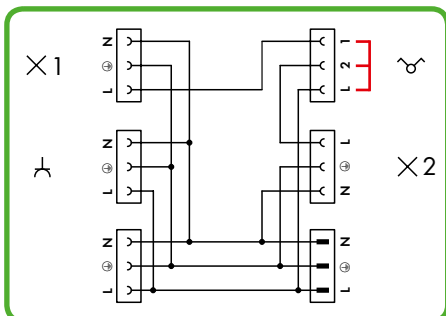
250 V/4 kV/3
I_N 25 A

Note:
If this shorting plug is connected to the 770-637 Distribution Connector as shown below, a motion sensor can be connected instead of the switch.

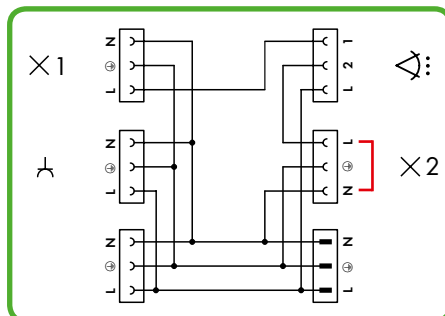


Cable assembly with coding S for connection to 770-637 and 770-638 Distribution Connectors.

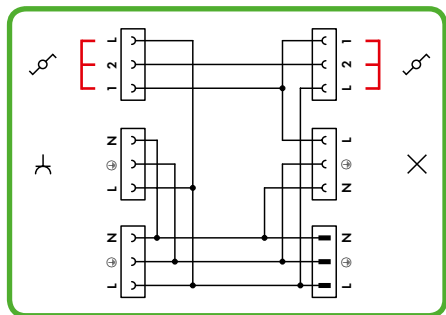
Marking	Item No.	Pack. Unit	Marking	Item No.	Pack. Unit
Shorting plug, brown plug with assembled strain relief housing			Shorting plug, coding A, black plug with assembled strain relief housing and bridge		
	770-1373/146-000	50		770-113/147-000	50
	770-1373/147-000	50			
	770-1373/148-000	50			
	770-1373/149-000	50			
Item-Specific Accessories					
Lockout cap, for plug, separable, 5-pole			Lockout cap, for plug, separable, 5-pole		
	yellow 770-360	100		yellow 770-360	100
Application Notes					



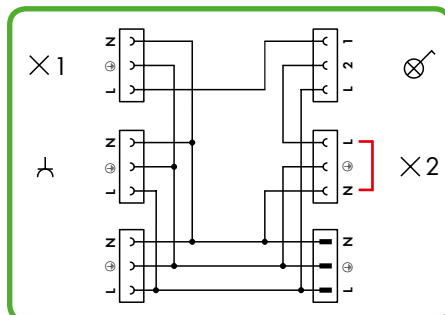
Internal circuit of 770-637 Distribution Connector with possible insertion position of 770-1373/14x-000 Shorting Plug.



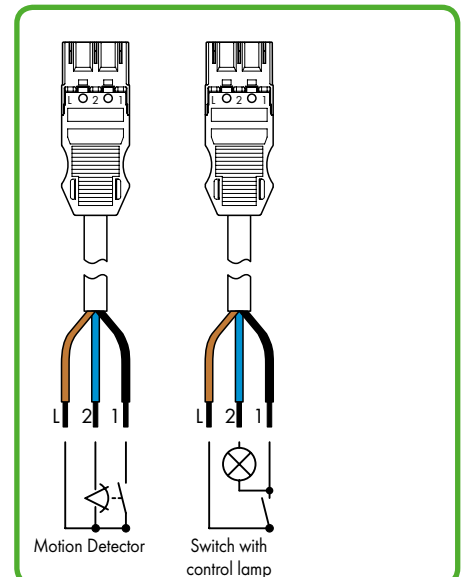
Internal circuit of 770-637 Distribution Connector with insertion position of 770-113/147-000 Shorting Plug for connecting a motion sensor.



Internal circuit of 770-638 Distribution Connector with possible insertion positions of 770-1373/14x-000 Shorting Plug.



Internal circuit of 770-637 Distribution Connector with insertion position of 770-113/147-000 Shorting Plug for connecting a switch with control lamp.



Cable assembly with coding S for connection to 770-637 Distribution Connector when using 770-113/147-000 Shorting Plug.

WINSTA® MIDI

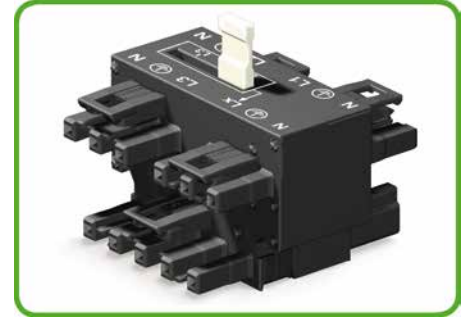
Three-Phase to Single-Phase Distribution Connectors with Phase Selection, 5-Pole

250 V/4 kV/3
400 V/6 kV/3
I_N 25 A

1 Approvals







The different jumper positions allow for a wide range of different tap-off options to be selected. In addition to the 3 set tap-offs (L1/L2/L3), the selectable 4th tap-off provides for a high degree of flexibility before, during and after installation.



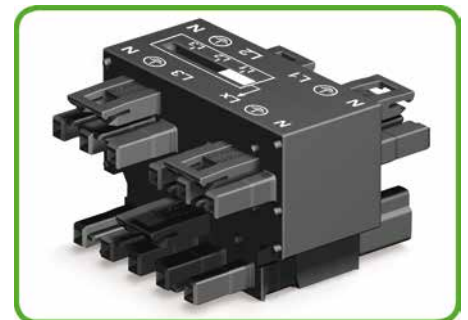
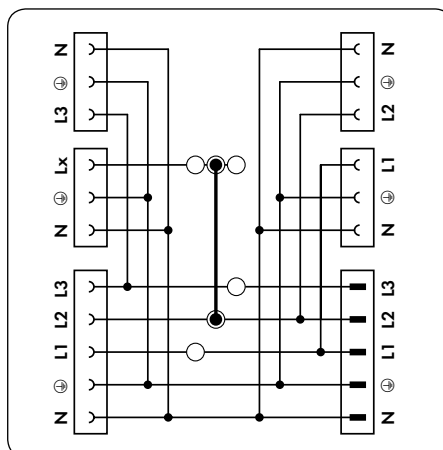
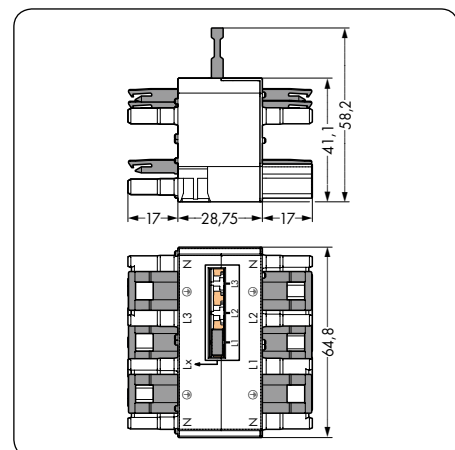
Movable jumper

Color	Item No.	Pack. Unit
Three-phase to single-phase distribution connector ②		
● black	770-640	10
○ white	770-690	10
● red	770-940	10

Item-Specific Accessories

Mounting plate , for distribution connectors  <ul style="list-style-type: none"> black 770-625 25 white 770-675 25 	Lockout cap , for socket, separable, 12-pole  <ul style="list-style-type: none"> black 770-201 100 white 770-221 100
Fixing pin , for mounting plates  <ul style="list-style-type: none"> ③ black 890-601 250 ④ black 770-601 250 	Lockout cap , for plug, separable, 5-pole  <ul style="list-style-type: none"> yellow 770-360 100

Dimensions and Internal Circuit



Jumper pushed down, flush with the housing (position L1).

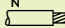


An additional h-distribution connector doubles L1. This results in the following connection options:
L1/L1/L2/L2/L3 with jumper in position L2
L1/L1/L2/L3/L3 with jumper in position L3



Additional h-distribution connectors double L1 and L3. This results in the following connection option:
L1/L1/L2/L2/L3/L3 with jumper in position L2
NOTICE: h-distribution connectors can only be plugged on L1 and L3.

WINSTA® MIDI Distribution Connectors with Phase Selection

	0.5–4 mm² ① 250 V/4 kV/3 400 V/6 kV/3 I _N 25 A  9 mm / 0.35 in.	20–12 AWG
② Approvals		



Lift jumper out of delivery position (L2) using a screwdriver and move it into the desired position.






Push down jumper in its new position (picture shows L3).



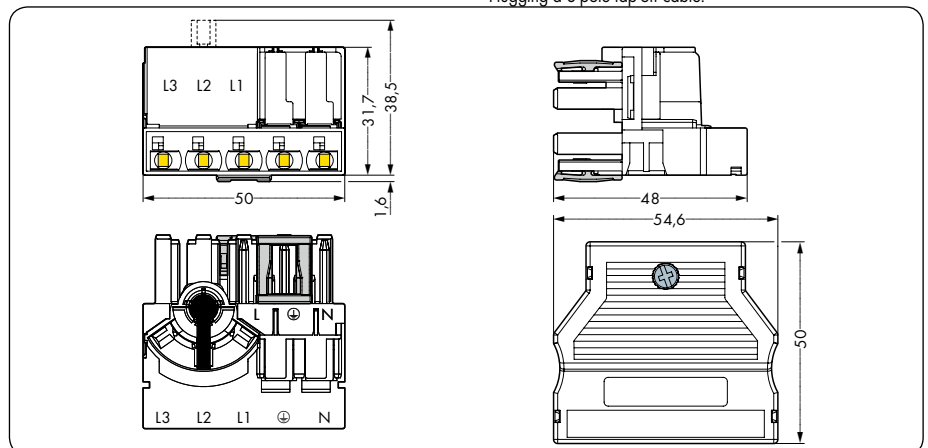
The 5-pole energy circuit can be extended using pluggable cable assemblies.


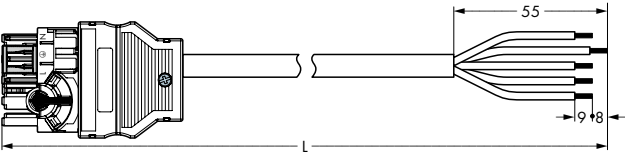

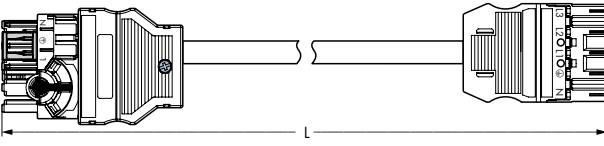







Plugging a 3-pole tap-off cable.

Description	Color	Item No.	Pack. Unit
Distribution connector with phase selection, with CAGE CLAMP® S connection,	Distribution connector with phase selection, with strain relief housing, for 9–13 mm cable diameter ④		
Tap-off: Socket, 3-pole, N ⊕ L			
Through contact: Socket, 5-pole, N ⊕ L1 L2 L3			
	● black	770-611	10
	○ white	770-661	10
Item-Specific Accessories			
	Mounting plate, for distribution connectors		
		black 770-625	25
		white 770-675	25
	Fixing pin, for mounting plates		
		⑤ black 890-601	250
		⑥ black 770-601	250
	Lockout cap, for socket, separable, 12-pole		
		black 770-201	100
		white 770-221	100
Info	Dimensions		

- ① Conductor sizes: 0.5–4 mm² "s + f-st"
0.5–2.5 mm² "stranded"
 - ② For "International Certification Organizations" and "Approvals – User Guide", see pages 300 to 303.
 - ③ Marine approvals (GL, LR, NV) relate exclusively to cables approved for marine applications.
 - ④ For more strain relief housings, see page 136.
 - ⑤ 5.0 mm Ø, 0.2–1.2 mm plate thickness
 - ⑥ 6.0 mm Ø, 1–2.5 mm plate thickness
- black Coding A (N ⊕ L1 L2 L3)
○ white Coding A (N ⊕ L1 L2 L3)
- For coding information, see pages 284 to 286.
Fire load data available upon request.



		PVC	H05VV-F 5G2.5					
		halogen-free	H05Z1Z1-F 5G2.5					
		250 V/4 kV/3	I _N 20 A					
		400 V/6 kV/3	I _N 20 A					
		Conductor ends, bonded: 9 mm						
		② ③ Approvals						
Distribution connectors with phase selection - free end		Length	Item No. black	Item No. white	Item No. black	Item No. white		
		● ○ Coding A	halogen-free					
N PE L1 L2 L3		1 m	771-8965/107-101	771-8965/107-102	771-8965/117-101	771-8965/117-102		
		2 m	771-8965/107-201	771-8965/107-202	771-8965/117-201	771-8965/117-202		
Distribution connectors with phase selection - plug		Length	Item No. black	Item No. white	Item No. black	Item No. white		
		● ○ Coding A	halogen-free					
		1 m	771-8965/007-101	771-8965/007-102	771-8965/017-101	771-8965/017-102		
		2 m	771-8965/007-201	771-8965/007-202	771-8965/017-201	771-8965/017-202		
		Accessories						
		Locking lever, for "flying leads",						
		manually operated						
			black	770-101	100	(4x25)		
			white	770-121	100	(4x25)		
		Locking lever, for "flying leads",						
		tool operated						
			black	770-111	100	(4x25)		
			white	770-131	100	(4x25)		
		Lockout cap, for socket, separable, 12-pole						
			black	770-201	100			
			white	770-221	100			
Coding pin, for plug (A and B coding)		Lockout cap, for plug, separable, 5-pole						
		gray	770-401	100				
						yellow	770-360	100

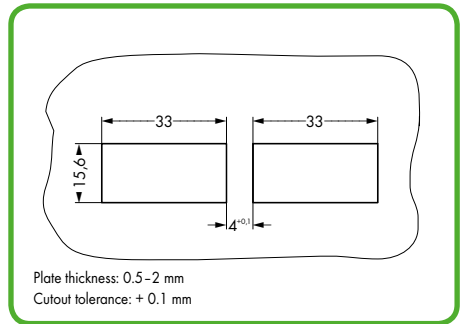
WINSTA® MIDI Strain Relief Housings, 6-Pole

Snap-on type strain relief housings for:
 - two 3-pole sockets
 - two 3-pole plugs
 - 3-pole socket and 3-pole plug




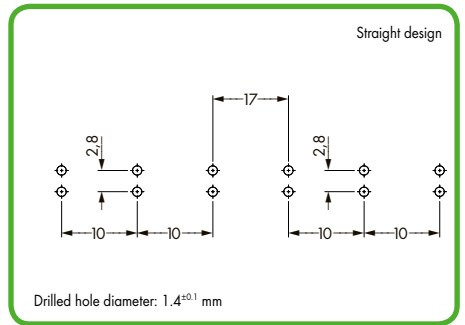
Application example: 6-pole connector

Description	Color	Item No.	Pack. Unit
Strain relief housing	Strain relief housing, for 2 cables, 8.5-13.5 mm diameter ①		
	black	770-506/029-000	50
	white	770-516/029-000	50

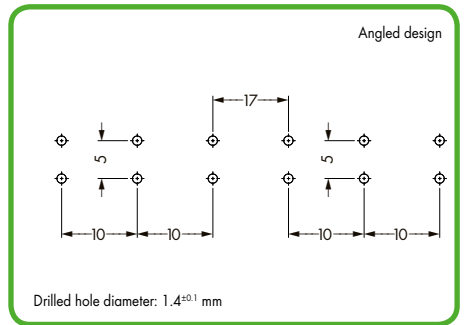


Using a 6-pole strain relief housing with snap-in connectors requires the cutout dimensions shown above.

Item-Specific Accessories	
	Marking strip , self-adhesive, on DIN A4 carrier card, 182 mm long  Strip height: 6 mm 210-333 100 Marking area: 62 x 6.5 mm
Info	Dimensions

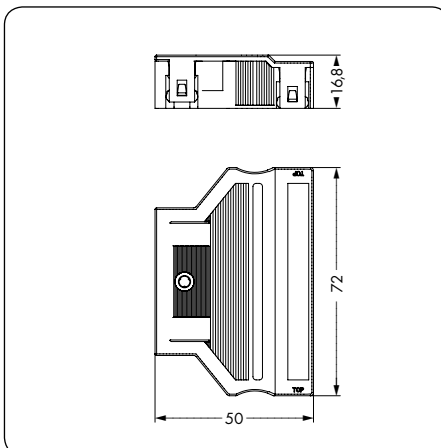


Using a straight, 6-pole PCB connector requires the hole patterns shown above.



Using an angled, 6-pole PCB connector requires the hole patterns shown above.

① For H05VV and NYM cables
 For other cables, please contact factory.



Fire load data available upon request.

WINSTA® MIDI

Strain Relief Housings, 7-Pole

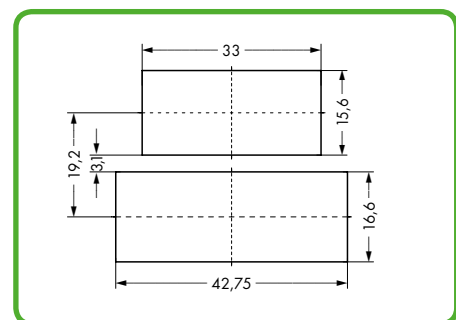
Snap-on type strain relief housings for:

- 3-pole socket or plug
- and
- 4-pole socket or plug



Application example: 7-pole connector

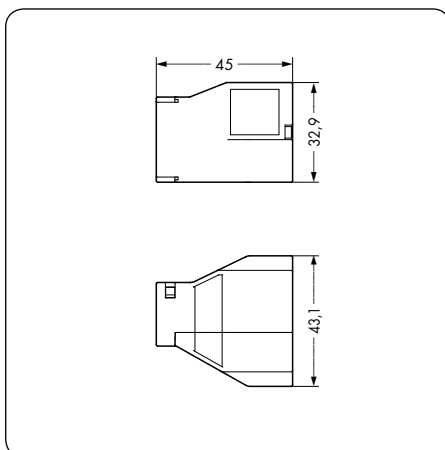
Description	Color	Item No.	Pack. Unit
Strain relief housing	Strain relief housing, for 1 cable, 8-15 mm diameter ①		
	black	770-507/047-000	200
	white	770-517/047-000	200
	Dimensions		



Using a 7-pole strain relief housing with snap-in connectors requires the cutout dimensions shown above.



„Flying leads“
(NOTICE: Only use locking levers on upper position)



„Flying leads“

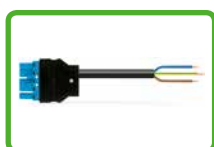
5



771 Series	
Plug – Lamp Socket	194
Plug – Cold Equipment Coupling	194
Socket – SCHUKO Plug	195
Plug – SCHUKO Coupler	195



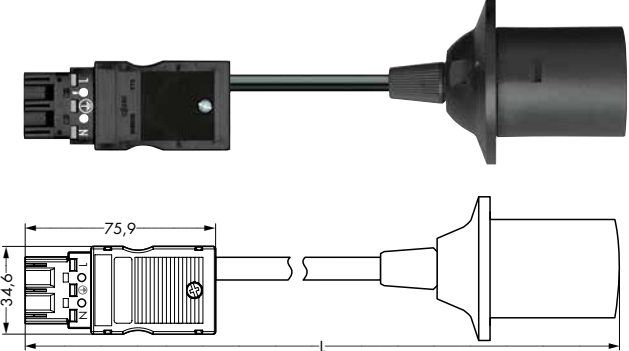
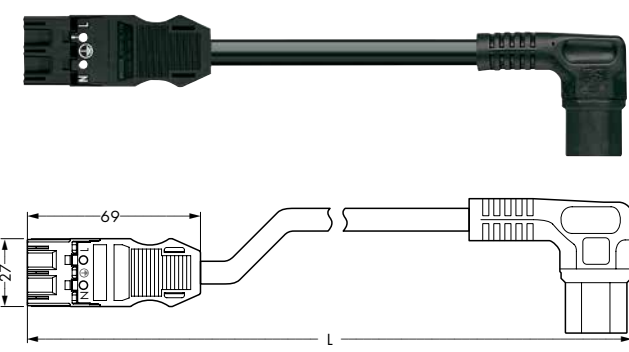
771 Series	
Connecting Cable for Distribution Connectors	196
Y-Cable	197



771 Series	
Adapter Cable for DALI	198

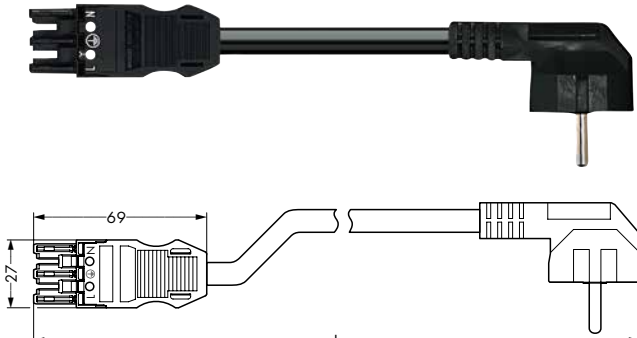
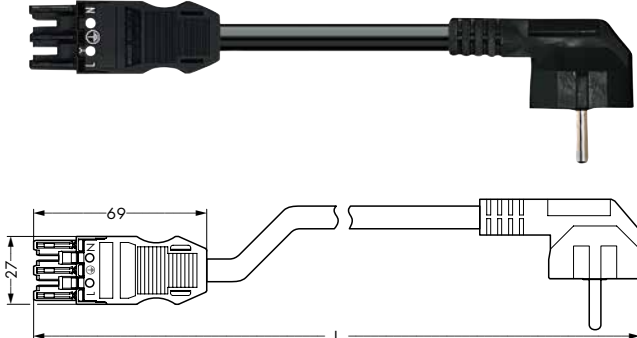
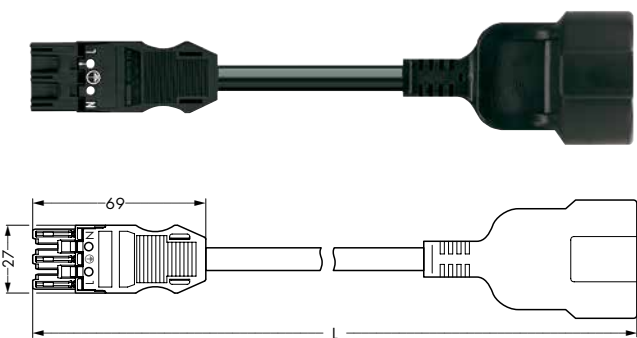









771 Series	
Y-Cable for DALI	199

	<p>PVC H03VVH2-F 2x0.75 I_N 4 A ② H05VV-F 3G1.0 I_N 10 A ③</p> <p>250 V/4 kV/3</p> <p>① Approvals</p>																		
<p>Plug – lamp socket E 27 ②</p>	<p>Length Item No. black</p>																		
	<p>● Coding A e.g., for temporary construction site lighting</p> <p>0.5 m 771-8993/1004-051</p> <p>For other lengths, please contact factory.</p>																		
<p>Interconnecting cable, plug – cold equipment coupling, angled ③</p>	<p>Length Item No. Item No. black white</p>																		
	<p>● ○ Coding A PVC</p> <table border="1"> <tr> <td>1 m</td> <td>771-9993/805-101</td> <td>771-9993/805-102</td> </tr> <tr> <td>2 m</td> <td>771-9993/805-201</td> <td>771-9993/805-202</td> </tr> <tr> <td>3 m</td> <td>771-9993/805-301</td> <td>771-9993/805-302</td> </tr> </table>	1 m	771-9993/805-101	771-9993/805-102	2 m	771-9993/805-201	771-9993/805-202	3 m	771-9993/805-301	771-9993/805-302									
1 m	771-9993/805-101	771-9993/805-102																	
2 m	771-9993/805-201	771-9993/805-202																	
3 m	771-9993/805-301	771-9993/805-302																	
<p>Info</p>	<p>Accessories</p>																		
<p>① For “International Certification Organizations” and “Approvals – User Guide”, see pages 300 to 303. Marine approvals (GL, LR, NV) relate exclusively to cables approved for marine applications. For other cables, please contact factory.</p> <p>● black Coding A (L ⊕ N) ○ white Coding A (L ⊕ N)</p> <p>For coding information, see pages 284 to 286. Fire load data available upon request.</p>	<p>Locking lever, for “flying leads”, manually operated</p> <table border="1"> <tr> <td>black</td> <td>770-101</td> <td>100 (4x25)</td> </tr> <tr> <td>white</td> <td>770-121</td> <td>100 (4x25)</td> </tr> </table> <p>Locking lever, for “flying leads”, tool operated</p> <table border="1"> <tr> <td>black</td> <td>770-111</td> <td>100 (4x25)</td> </tr> <tr> <td>white</td> <td>770-131</td> <td>100 (4x25)</td> </tr> </table> <p>Lockout cap, for plug, separable, 5-pole</p> <table border="1"> <tr> <td>yellow</td> <td>770-360</td> <td>100</td> </tr> </table> <p>Coding pin, for plug (A and B coding)</p> <table border="1"> <tr> <td>gray</td> <td>770-401</td> <td>100</td> </tr> </table>	black	770-101	100 (4x25)	white	770-121	100 (4x25)	black	770-111	100 (4x25)	white	770-131	100 (4x25)	yellow	770-360	100	gray	770-401	100
black	770-101	100 (4x25)																	
white	770-121	100 (4x25)																	
black	770-111	100 (4x25)																	
white	770-131	100 (4x25)																	
yellow	770-360	100																	
gray	770-401	100																	

WINSTA® MIDI

Cable assemblies 3 x 1.5 mm² / 3 x 2.5 mm²


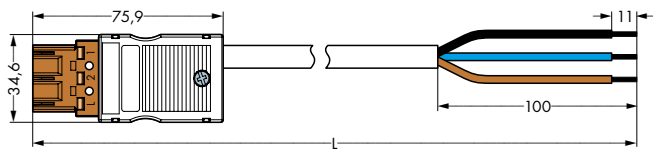
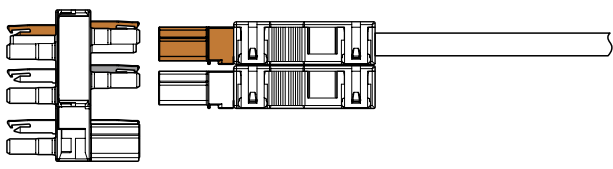
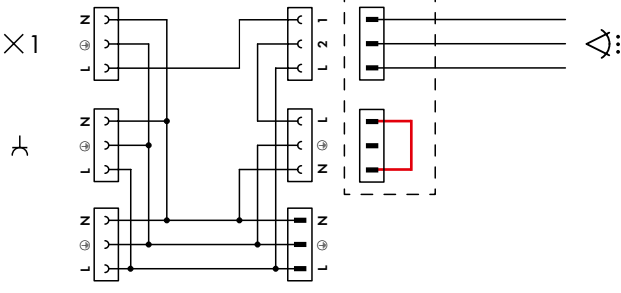
	<p>PVC</p> <p>H05VV-F 3x1.5 H05VV-F 3x2.5</p> <p>I_N 16 A I_N 20 A ④</p> <p>250 V/4 kV/3</p> <p>① Approvals</p>
<p>Connecting cable, socket - SCHUKO plug, angled</p> 	<p>Length Item No. black Item No. white</p> <p>● ○ Coding A PVC</p> <p>1 m 771-9993/306-101 771-9993/306-102</p> <p>2 m 771-9993/306-201 771-9993/306-202</p> <p>3 m 771-9993/306-301 771-9993/306-302</p>
<p>Connecting cable, socket - SCHUKO plug, angled ④</p> 	<p>Length Item No. black Item No. white</p> <p>● ○ Coding A PVC</p> <p>1 m 771-9993/307-101 771-9993/307-102</p> <p>2 m 771-9993/307-201 771-9993/307-202</p> <p>3 m 771-9993/307-301 771-9993/307-302</p>
<p>Connecting cable, plug - SCHUKO coupler</p> 	<p>● ○ Coding A PVC</p> <p>1 m 771-9993/406-101 771-9993/406-102</p> <p>2 m 771-9993/406-201 771-9993/406-202</p> <p>3 m 771-9993/406-301 771-9993/406-302</p>
	<p>Accessories</p> <p>Locking lever, for "flying leads", manually operated</p> <p> black 770-101 100 (4x25)</p> <p> white 770-121 100 (4x25)</p> <p>Locking lever, for "flying leads", tool operated</p> <p> black 770-111 100 (4x25)</p> <p> white 770-131 100 (4x25)</p> <p>Lockout cap, for socket, separable, 12-pole</p> <p> black 770-201 100</p> <p> white 770-221 100</p> <p>Lockout cap, for plug, separable, 5-pole</p> <p> yellow 770-360 100</p>

WINSTA® MIDI

Cable Assemblies 3 x 1.5 mm², Suitable for 770-637 Distribution Connectors

PVC	H05VV-F 3x1.5
halogen-free	H05Z1Z1-F 3x1.5
250 V/4 kV/3	I _N 16 A
Conductor ends, bonded: 11 mm	
📌 Approvals	

Connecting cable, socket – plug

Info

📌 For “International Certification Organizations” and “Approvals – User Guide”, see pages 300 to 303.
 Marine approvals (GL, LR, NV) relate exclusively to cables approved for marine applications.
 For other cables, please contact factory.





● black Coding A (L ⊕ N)
 ● brown Coding S (L 2 1)

For coding information, see pages 284 to 286.
 Fire load data available upon request.

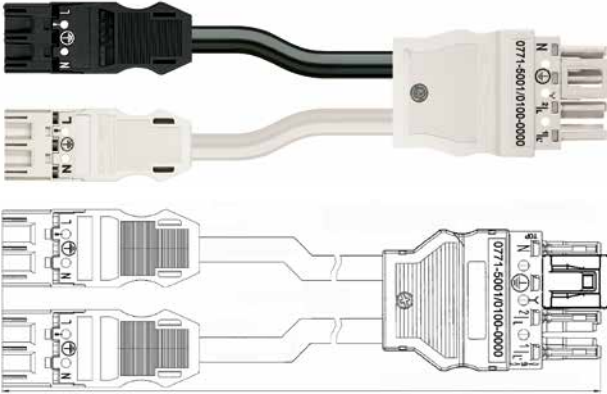
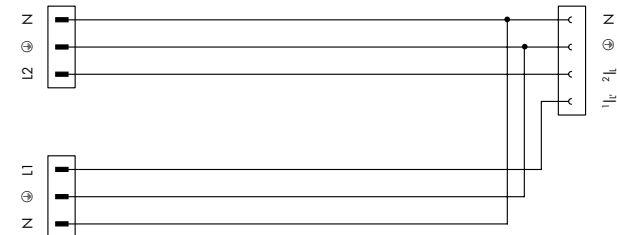
Length	Item No.	Item No.
● Coding S		
● Coding A		
PVC		halogen-free
3 m	771-5001/106-000	771-5001/131-000
4 m	771-5001/107-000	771-5001/132-000

This cable combines a standard S-coded cable with an A-coded shorting plug. Both strain relief housings are locked together.
 A motion detector or switch with signal lamp can be directly connected using a cable equipped with 770-637 distribution connector.

Accessories

	manually operated		
	black	770-101	100 (4x25)
	white	770-121	100 (4x25)
	tool operated		
	black	770-111	100 (4x25)
	white	770-131	100 (4x25)
	black	770-201	100
	white	770-221	100
		yellow	770-360

WINSTA® MIDI Cable Assemblies 3 x 1.5 mm²

	<p>PVC H05VV-F 3x1.5 I_N 16 A</p> <p>250 V/4 kV/3</p> <p>① Approvals</p>						
<p>Y-cable, 1 x 4-pole, 2 x 3-pole</p>	<p>Length Item No. Item No.</p>						
 <p>Black plug: Continuous phase for battery</p> <p>White plug: Light with backup power function</p>  <p>White plug: Switched phase for the light ("on/off")</p>	<p>● ○ Coding A</p> <p>PVC halogen-free</p> <p>0.6 m 771-5001/100-000 771-5001/110-000</p> <p>This cable connects lights with backup power function (AkkuPack). The black 3-pole plug connects the continuous phase for the battery, while the white 3-pole plug connects the switched phase for the light ("on/off").</p> <p>The white 4-pole socket can be directly plugged into the light.</p>						
	<p>Accessories</p>						
	<p>Locking lever, for "flying leads", manually operated</p> <table border="1"> <tr> <td>black</td> <td>770-101</td> <td>100 (4x25)</td> </tr> <tr> <td>white</td> <td>770-121</td> <td>100 (4x25)</td> </tr> </table>	black	770-101	100 (4x25)	white	770-121	100 (4x25)
black	770-101	100 (4x25)					
white	770-121	100 (4x25)					
	<p>Locking lever, for "flying leads", tool operated</p> <table border="1"> <tr> <td>black</td> <td>770-111</td> <td>100 (4x25)</td> </tr> <tr> <td>white</td> <td>770-131</td> <td>100 (4x25)</td> </tr> </table>	black	770-111	100 (4x25)	white	770-131	100 (4x25)
black	770-111	100 (4x25)					
white	770-131	100 (4x25)					
	<p>Lockout cap, for plug, separable, 5-pole</p> <table border="1"> <tr> <td>yellow</td> <td>770-360</td> <td>100</td> </tr> </table>	yellow	770-360	100			
yellow	770-360	100					
	<p>Coding pin, for plug (A and B coding)</p> <table border="1"> <tr> <td>gray</td> <td>770-401</td> <td>100</td> </tr> </table>	gray	770-401	100			
gray	770-401	100					

WINSTA® MIDI
Cable Assemblies 2 x 1.5 mm² / 3 x 1.5 mm²

PVC halogen-free	H05VV-F 3G1.5 ② H05Z1Z1-F 3G1.5 ②	H05VV-F 2x1.5 ③ H05Z1Z1-F 2x1.5 ③
250 V/4 kV/3 I _N 16 A		
① Approvals		

Connecting cable, plug – free end ②

Length	Item No. black	Item No. black
● Coding I		
	PVC	halogen-free
1 m	771-5001/148-000	771-5001/156-000
2 m	771-5001/149-000	771-5001/157-000
3 m	771-5001/150-000	771-5001/158-000
4 m	771-5001/151-000	771-5001/159-000
5 m	771-5001/152-000	771-5001/160-000
6 m	771-5001/153-000	771-5001/161-000
7 m	771-5001/154-000	771-5001/162-000
8 m	771-5001/155-000	771-5001/163-000

Connecting cable, plug – free end ③

Length	Item No. black	Item No. black
● Coding I		
	PVC	halogen-free
1 m	771-5001/164-000	771-5001/172-000
2 m	771-5001/165-000	771-5001/173-000
3 m	771-5001/166-000	771-5001/174-000
4 m	771-5001/167-000	771-5001/175-000
5 m	771-5001/168-000	771-5001/176-000
6 m	771-5001/169-000	771-5001/177-000
7 m	771-5001/170-000	771-5001/178-000
8 m	771-5001/171-000	771-5001/179-000

Info

① For "International Certification Organizations" and "Approvals – User Guide", see pages 300 to 303.
 Marine approvals (GL, LR, NV) relate exclusively to cables approved for marine applications.
 For other cables, please contact factory.

● blue Coding I (N ⊕ L DA- DA+)

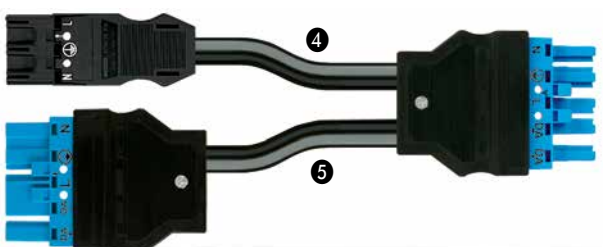
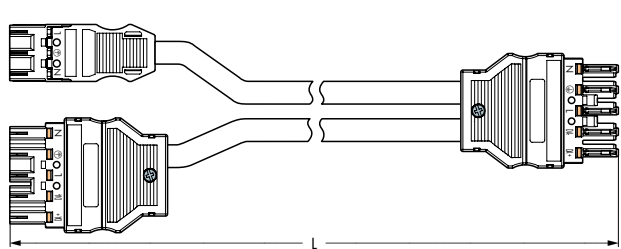
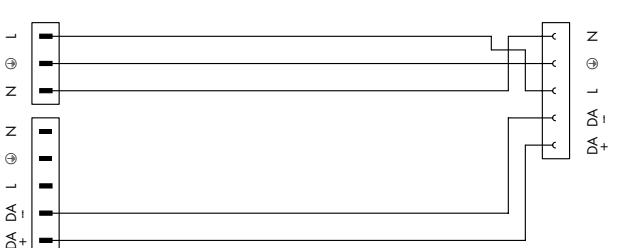
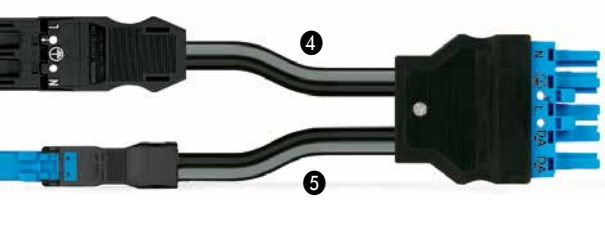
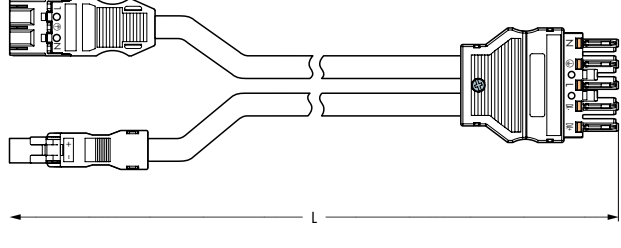
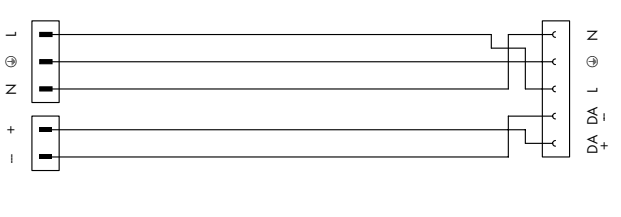
For coding information, see pages 284 to 286.
 Fire load data available upon request.

Accessories

	Locking lever, for "flying leads", manually operated		
	black	770-101	100 (4x25)
	white	770-121	100 (4x25)
	Locking lever, for "flying leads", tool operated		
	black	770-111	100 (4x25)
	white	770-131	100 (4x25)
	Lockout cap, for plug, separable, 5-pole		
	yellow	770-360	100
	Coding pin, for plug (A and B coding)		
	gray	770-401	100

WINSTA® MIDI

Cable assemblies 2 x 1.5 mm² / 3 x 2.5 mm²

	<p>PVC H05VV-F 3G2.5 ④ H05VV-F 2x1.5 ⑤ halogen-free H05Z1Z1-F 3G2.5 ④ H05Z1Z1-F 2x1.5 ⑤</p> <p>250 V/4 kV/3 I_N 16 A</p> <p>① Approvals</p>
<p>Y-cable, DALI mains center supply</p>   	<p>Length Item No. black</p> <p>Item No. black</p> <p>● ● Coding A + I</p> <p>PVC halogen-free</p> <p>0.5 m 771-5001/180-000 771-5001/181-000</p>
<p>Y-cable, mains supply + DALI</p>   	<p>Length Item No. black</p> <p>Item No. black</p> <p>● ● Coding A + I</p> <p>PVC halogen-free</p> <p>0.5 m 771-5001/182-000 771-5001/183-000</p>

WINSTA® IDC, 772 Series Handling:

Module positioning and contacting



Insert flat cable into base (observe coding!).

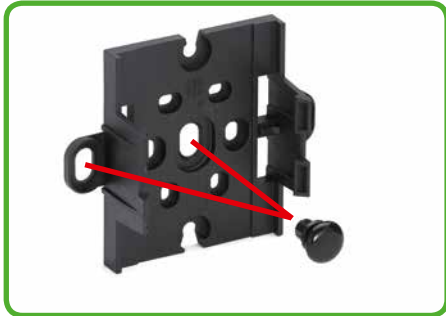


Mount IDC module flush with the base. Should the IDC module jam during mounting, turn the upper part by 180° and remount it.



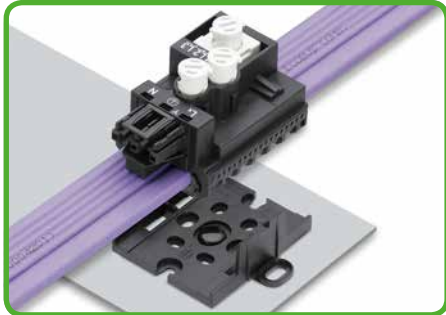
Screw down contact elements until element stops.

Mounting plate installation



The mounting plate can be centrally mounted, or attached via outboard attachment points using 770-601 Fixing Pins.

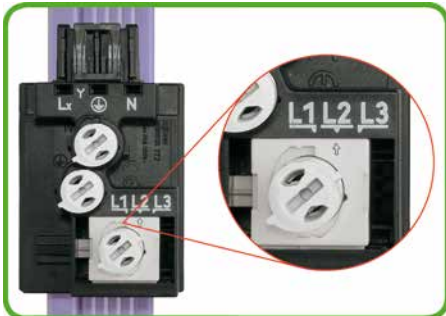
Snapping on distribution connector



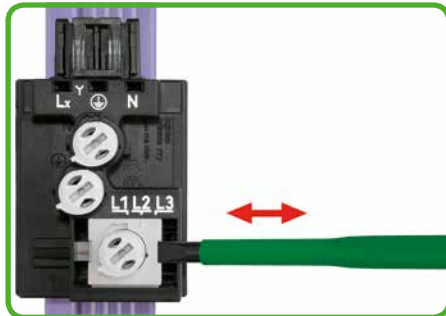
The distribution connectors snap together when attached to the mounting plate.



Phase selection



The phase selector is in position L2 (center) when delivered.



Move the phase selector into position L1 or L3 if required.



After connecting the flat cable, the IDC module is locked and can no longer be moved, even after unscrewing the contact element.



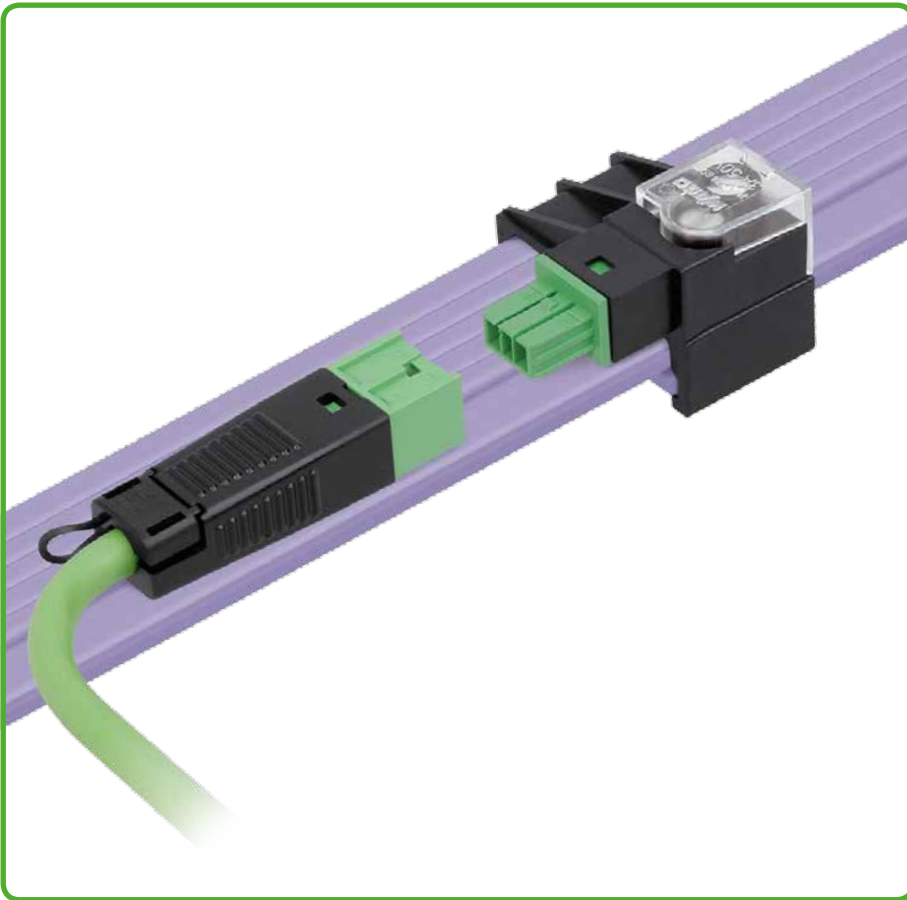
Connecting an installation cable to the supply module. Stripped, solid conductors are simply pushed into unit. Open clamp via screwdriver to insert stripped, fine-stranded conductors.



Secure supply cable via strain relief housing.



Tighten strain relief screw using a screwdriver.



Contact is made with the flat cable by tightening the screws. Observe 1 Nm of tightening torque!



Snapping on transparent protective cover.



NOTICE: Should it be necessary to tap another phase, this must be done in a different location. To do so, the contact elements must be unscrewed and brought back to their original position.



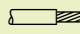
Lift contact element to unlock phase selector and select the new phase. NOTICE: Do not reuse in the same location of the flat cable.

Insulating tape



After removing the module, the contact holes in the flat cable must be sealed using insulating tape.

WINSTA® IDC Supply Modules with Strain Relief Housing, 5-Pole ① 772 Series

	2 x 0.5–4 mm² ② 400 V/6 kV/3 I _N 25 A	2 x 20–12 AWG
	 9 mm / 0.35 in.	
	③ Approvals	




① NOTICE:

Only use identically coded supply and tap-off modules on the same cable!

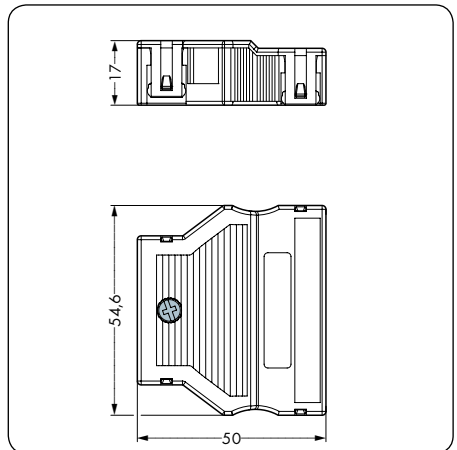
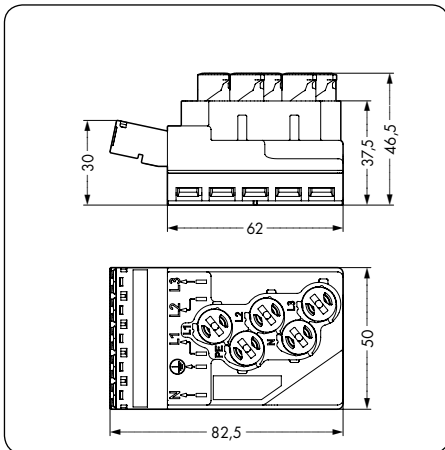
- Coding A and P (N ⊕ L1 L2 L3) are designed for a 400 V three-phase current cable configuration.
- Coding I (N ⊕ L DA- DA+) is designed for up to 230 V and dimming cable configurations.
- Coding B (N ⊕ L1 L2 L3) is designed for custom cable configurations. Only modules with the same pole marking shall be used within an application.



Description	Color	Item No.	Pack. Unit
Supply module, 5-pole		Supply module with strain relief housing ④,	
Tap-off module with phase selection, 3-pole		9- 13 mm cable diameter	
Tap-off module, 5-pole			
	black	772-261	10
	gray ⑥	772-264/060-000	10
	red	772-267	10
	blue	772-271	10
		For suitable flat cables,	
		see pages 226 and 227	

Item-Specific Accessories			
		Mounting plate, for supply and tap-off modules	
		black	772-260 10
		Fixing pin, for mounting plates	
		⑤ black	770-601 250
		Operating tool, with insulated shaft,	
		(6.5 x 1.2) mm blade	
		green	210-636 1
Info	Dimensions		

- ② Conductor sizes: 0.5–4 mm² "s + f-st"
0.5–2.5 mm² "stranded"
 - ③ For "International Certification Organizations" and "Approvals – User Guide", see pages 300 to 303.
 - ④ Strain relief housings for larger cable diameters, see pages 136 and 137.
 - ⑤ 6.0 mm Ø, 1–2.5 mm plate thickness
 - ⑥ Full rated current can only be applied to a maximum of 3 poles!
- Processing temperature: +5 °C to +40 °C
- black Coding A (N ⊕ L1 L2 L3)
 - gray Coding B (N ⊕ L1 L2 L3)
 - blue Coding I (N ⊕ L DA- DA+)
 - red Coding P (N ⊕ L1 L2 L3)
- For coding information, see pages 284 to 286.
Fire load data available upon request.











WINSTA® IDC Tap-Off Modules, 3- and 5-Pole ① 772 Series

<p>400 V/6 kV/3 250 V/4 kV/3 I_N 25 A</p> <p>③ Approvals</p>	<p>400 V/6 kV/3 I_N 25 A</p> <p>③ Approvals</p>
---	--

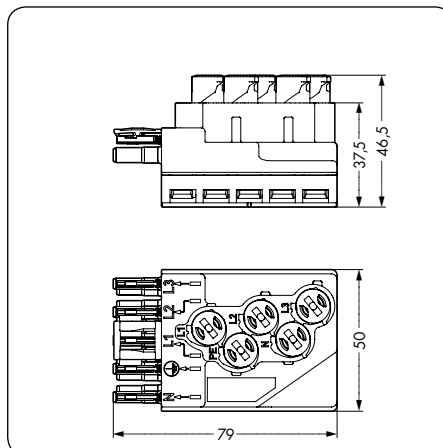
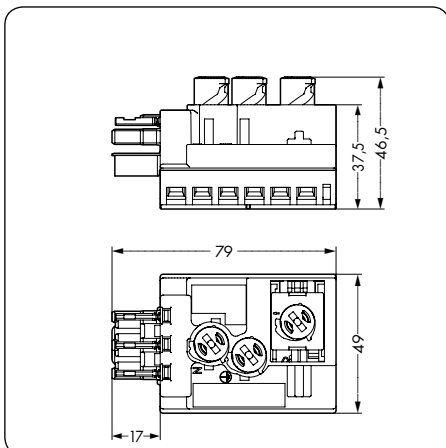


Color	Item No.	Pack. Unit	Color	Item No.	Pack. Unit
Tap-off module with phase selection, 3-pole, for WINSTA® MIDI plug-in and distribution connectors, supply position L2			Tap-off module, 5-pole, for WINSTA® MIDI plug-in and distribution connectors		
● black	772-263	10	● black	772-262	10
● gray	772-266/060-000	10	● gray ⑥	772-265/060-000	10
● red	772-269	10	● red	772-268	10
			● blue	772-272	10
For suitable flat cables, see pages 226 and 227			For suitable flat cables, see pages 226 and 227		

Item-Specific Accessories

<p>Mounting plate, for supply and tap-off modules</p>  <p>black 772-260 10</p>	<p>Mounting plate, for supply and tap-off modules</p>  <p>black 772-260 10</p>
<p>Fixing pin, for mounting plates</p>  <p>⑤ black 770-601 250</p>	<p>Fixing pin, for mounting plates</p>  <p>⑤ black 770-601 250</p>
<p>Lockout cap, for socket, separable, 12-pole</p>  <p>black 770-201 100 white 770-221 100</p>	<p>Lockout cap, for socket, separable, 12-pole</p>  <p>black 770-201 100 white 770-221 100</p>
<p>Operating tool, with insulated shaft, (6.5 x 1.2) mm blade</p>  <p>green 210-636 1</p>	<p>Operating tool, with insulated shaft, (6.5 x 1.2) mm blade</p>  <p>green 210-636 1</p>

Dimensions



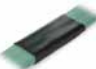







WINSTA® IDC Flat Cables 5 x 2.5 mm² 897 Series

	<p>Flat cable 5 x 2.5 mm² 3L + N + PE halogen-free 0.6/1kV</p> <p>① Approvals</p>	<p>Flat cable 5 x 2.5 mm² 3L + N + PE PVC 0.6/1kV</p> <p>① Approvals</p>
--	--	---

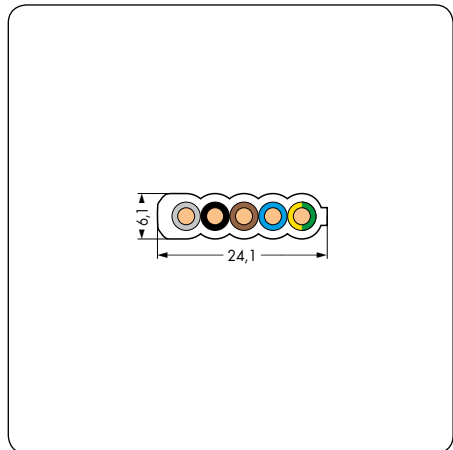
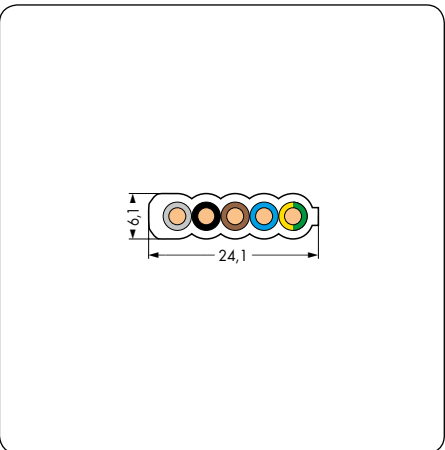


Description	Color	Item No.	Color	Item No.
Flat cables, halogen-free or PVC, 5- and 7-pole	Flat cable 5 x 2.5 mm ² , halogen-free		Flat cable 5 x 2.5 mm ² , PVC	
	gray	897-252	light green	897-251

Item-Specific Accessories				
	<p>Flat cable end cover, plastic. Every cable end must be fitted with an end cover.</p> <p> transparent 897-250 10</p>	<p>Flat cable end cover, plastic. Every cable end must be fitted with an end cover.</p> <p> transparent 897-250 10</p>		
	<p>Insulating tape for flat cables, for sealing contact holes in flat cables.</p> <p> black 897-900 10</p>	<p>Insulating tape for flat cables, for sealing contact holes in flat cables.</p> <p> black 897-900 10</p>		
	<p>Fixing clamp, plastic, for screw mounting</p> <p> gray 897-878 100</p>	<p>Fixing clamp, plastic, for screw mounting</p> <p> gray 897-878 100</p>		
	<p>Stripping pliers</p> <p> 897-971 1</p> <p>Cutter 897-972 1</p>	<p>Stripping pliers</p> <p> 897-971 1</p> <p>Cutter 897-972 1</p>		
Info	Dimensions			

① For "International Certification Organizations" and "Approvals – User Guide", see pages 300 to 303.

Fire load data available upon request.



WINSTA® IDC













Flat Cables 5 x 4 mm² and 5 x 2.5 mm² + 2 x 1.5 mm² 897 Series

<p>Flat cable 5 x 4 mm² 3L + N + PE halogen-free 0.6/1kV</p> <p>📌 Approvals</p>	<p>Flat cable 5 x 2.5 mm² + 2 x 1.5 mm² 3L + N + PE + 2 Bus halogen-free 0.6/1kV</p> <p>📌 Approvals</p>	<p>Flat cable 5 x 2.5 mm² + 2 x 1.5 mm² 3L + N + PE + 2 Bus PVC 0.6/1kV</p> <p>📌 Approvals</p>
--	---	--

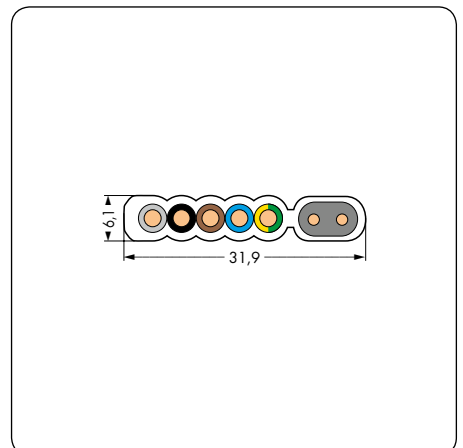
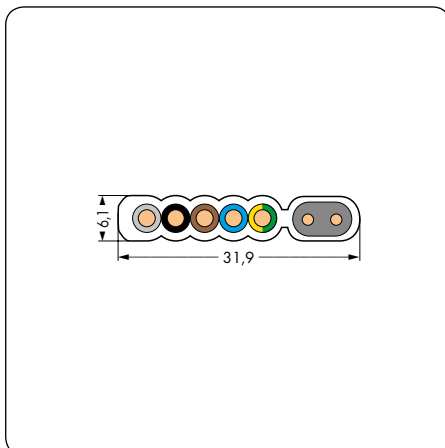
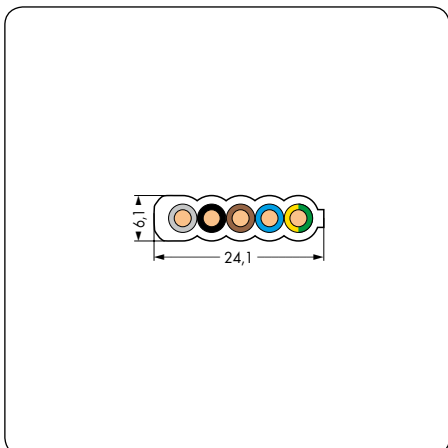


Color	Item No.	Color	Item No.	Color	Item No.
Flat cable 5 x 4 mm ² , halogen-free		Flat cable 5 x 2.5 mm ² + 2 x 1.5 mm ² halogen-free		Flat cable 5 x 2.5 mm ² + 2 x 1.5 mm ² , PVC	
black	897-453	violet	897-262	violet	897-261

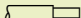
Item-Specific Accessories

<p>Flat cable end cover, plastic. Every cable end must be fitted with an end cover.</p>  <p>transparent 897-250 10</p>	<p>Flat cable end cover, plastic. Every cable end must be fitted with an end cover.</p>  <p>transparent 897-260 10</p>	<p>Flat cable end cover, plastic. Every cable end must be fitted with an end cover.</p>  <p>transparent 897-260 10</p>
<p>Insulating tape for flat cables, for sealing contact holes in flat cables.</p>  <p>black 897-900 10</p>	<p>Insulating tape for flat cables, for sealing contact holes in flat cables.</p>  <p>black 897-900 10</p>	<p>Insulating tape for flat cables, for sealing contact holes in flat cables.</p>  <p>black 897-900 10</p>
<p>Fixing clamp, plastic, for screw mounting</p>  <p>gray 897-878 100</p>	<p>Fixing clamp, plastic, for screw mounting</p>  <p>gray 897-878 100</p>	<p>Fixing clamp, plastic, for screw mounting</p>  <p>gray 897-878 100</p>
<p>Stripping pliers</p>  <p>897-971 1 Cutter 897-972 1</p>	<p>Stripping pliers</p>  <p>897-971 1 Cutter 897-972 1</p>	<p>Stripping pliers</p>  <p>897-971 1 Cutter 897-972 1</p>

Dimensions



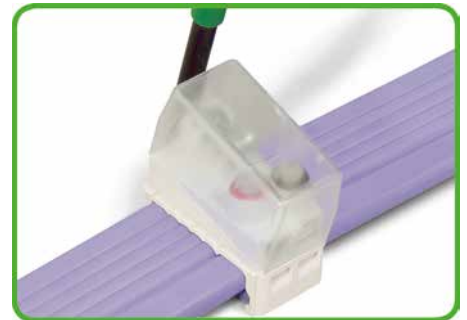
WINSTA® IDC Supply Module, 2-Pole, for 7-Core Flat Cable 893 Series

	<p>0.5–1.5 mm² 50 V/0.8 kV/3 I_N 3 A</p> <p> 5–6 mm / 0.22 in.</p> <p>1 Approvals</p>
--	--



The IDC module can only be mounted if the two codings match each other. Should the IDC module jam during mounting, turn the module by 180° and remount it, flush with the base.

Description	Color	Item No.	Pack. Unit
Supply module, 2-pole	Supply module,		
Tap-off module, 2-pole, with screw connection	1 Nm tightening torque		
	gray	893-261	25
	For suitable flat cables,		
	see page 230.		



Remove transparent cover using a screwdriver.



Contact with the flat cable is made by tightening the screws that are marked in red and black. Observe 1 Nm of tightening torque!

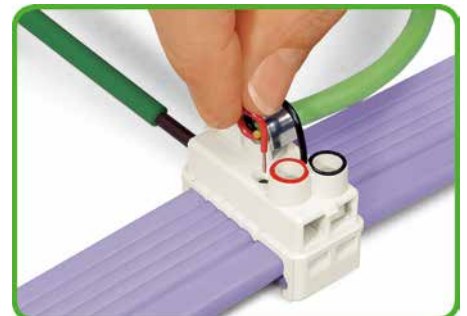
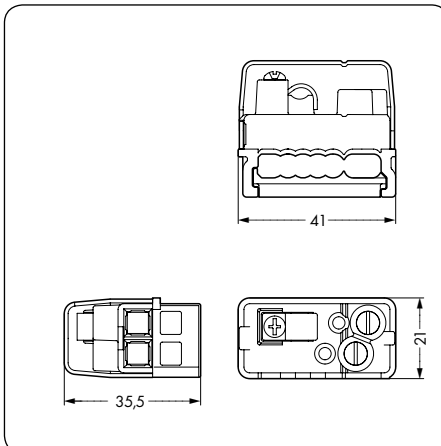
Info	Dimensions
------	------------

1 For “International Certification Organizations” and “Approvals – User Guide”, see pages 300 to 303.

Processing temperature: +5 °C to +40 °C

● green	Coding E	(1+ 2-)
○ light gray	Coding F	(1+ 2-)

For coding information, see pages 284 to 286.
Fire load data available upon request.



Secure bus cable via strain relief and terminate stripped conductors as shown in the picture.

WINSTA® IDC

Tap-Off Modules, 2-Pole, for 7-Core Flat Cable

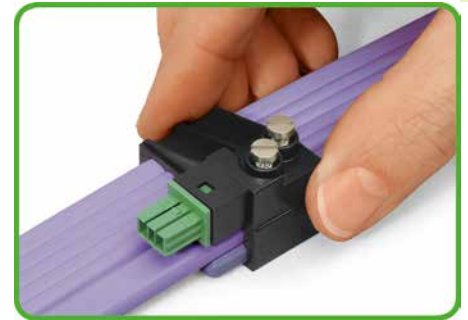
893 Series

FIT CLAMP®

9

229

<p>50 V/0.8 kV/3 I_N 3 A</p> <p>❶ Approvals</p>	<p>50 V/0.8 kV/3 I_N 3 A</p> <p>❶ Approvals</p>
---	---



The IDC module can only be mounted if the two codings match each other. Should the IDC module jam during mounting, turn the module by 180° and remount it, flush with the base.

Color	Item No.	Pack. Unit	Color	Item No.	Pack. Unit
Tap-off module, 2-pole, for connectors and cable assemblies, coding E, KNX, 1 Nm tightening torque			Tap-off module, 2-pole, for connectors and cable assemblies, coding F, 1 Nm tightening torque		
● green	893-262	25	○ light gray	893-269	25
For suitable flat cables, see page 230.			For suitable flat cables, see page 230.		

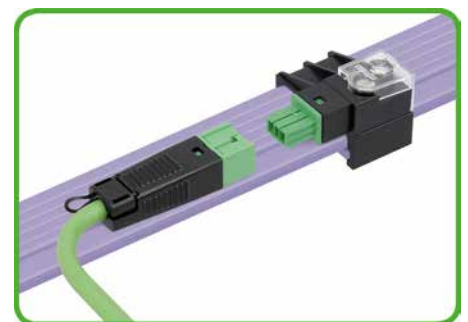
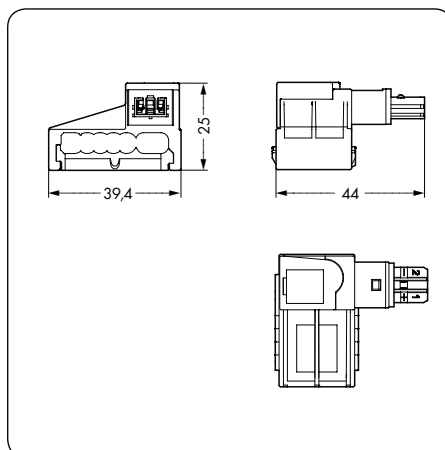
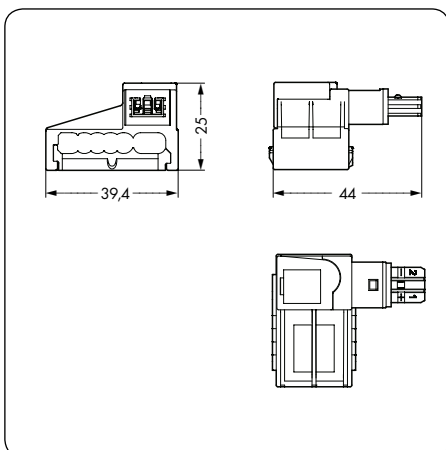


Contact is made with the flat cable by tightening the screws. Observe 1 Nm of tightening torque!



Snapping on transparent protective cover.

Dimensions



Connecting a cable assembly.

WINSTA® – perfectly plugged!

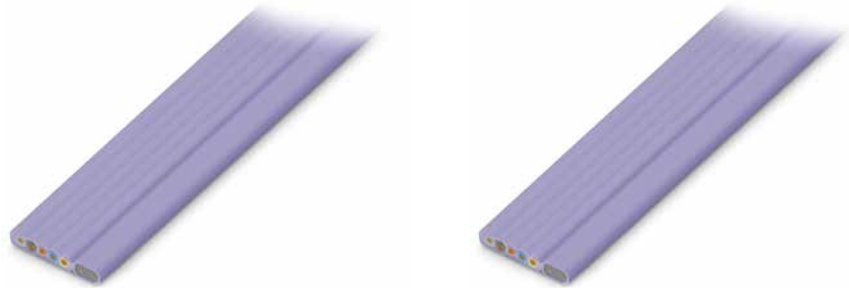
9

WINSTA® IDC



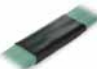





Flat Cables 5 x 2.5 mm² + 2 x 1.5 mm²

897 Series

	<p>Flat cable 5 x 2.5 mm² + 2 x 1.5 mm² 3L + N + PE + 2 Bus halogen-free 0.6/1kV</p> <p>1 Approvals</p>	<p>Flat cable 5 x 2.5 mm² + 2 x 1.5 mm² 3L + N + PE + 2 Bus PVC 0.6/1kV</p> <p>1 Approvals</p>
--	---	--

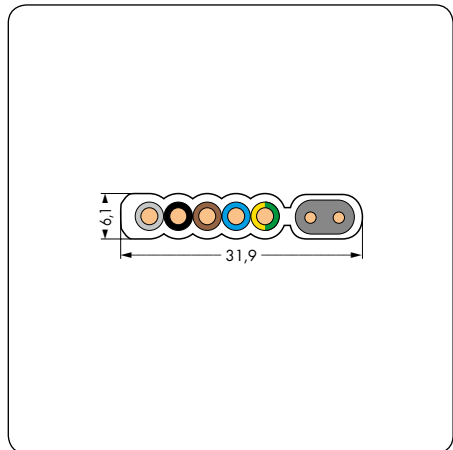
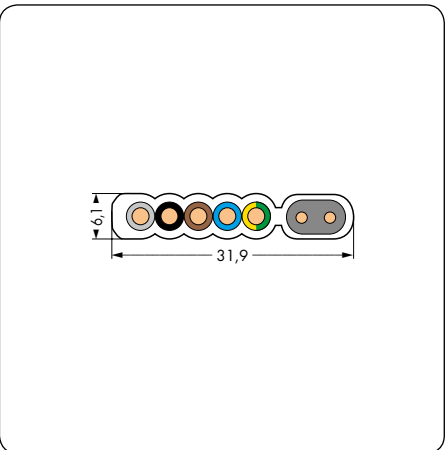


Description	Color	Item No.	Color	Item No.
Flat cables, halogen-free or PVC, 7-pole	Flat cable 5 x 2.5 mm ² + 2 x 1.5 mm ² halogen-free		Flat cable 5 x 2.5 mm ² + 2 x 1.5 mm ² , PVC	
	violet	897-262	violet	897-261

Item-Specific Accessories				
	<p>Flat cable end cover, plastic. Every cable end must be fitted with an end cover.</p>  <p>transparent 897-260 10</p>	<p>Flat cable end cover, plastic. Every cable end must be fitted with an end cover.</p>  <p>transparent 897-260 10</p>		
	<p>Insulating tape for flat cables, for sealing contact holes in flat cables.</p>  <p>black 897-900 10</p>	<p>Insulating tape for flat cables, for sealing contact holes in flat cables.</p>  <p>black 897-900 10</p>		
	<p>Fixing clamp, plastic, for screw mounting</p>  <p>gray 897-878 100</p>	<p>Fixing clamp, plastic, for screw mounting</p>  <p>gray 897-878 100</p>		
	<p>Stripping pliers</p>  <p>897-971 1</p> <p>Cutter 897-972 1</p>	<p>Stripping pliers</p>  <p>897-971 1</p> <p>Cutter 897-972 1</p>		
Info	Dimensions			

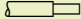
1 For "International Certification Organizations" and "Approvals – User Guide", see pages 300 to 303.

Fire load data available upon request.





WINSTA® IDC Supply Module, 2-Pole, for 2-Core Flat Cable 893 Series

<p>$4 \times 0.6\text{--}0.8\text{ mm } \varnothing$ "sol." 50 V/0.8 kV/3 I_N 3 A</p> <p> 5–6 mm / 0.22 in.</p> <p>1 Approvals</p>	
--	--



The IDC module can only be mounted if the two codings match each other. Should the IDC module jam during mounting, turn the module by 180° and remount it, flush with the base.

Description	Color	Item No.	Pack. Unit
Supply module, 2-pole, with 243 Series PUSH WIRE® connectors	Supply module,		
Tap-off module, 2-pole, with screw connection	1 Nm tightening torque		
	black	893-121	25
	For suitable flat cables, see page 234.		
Info	Dimensions		



Contact is made with the flat cable by tightening the screws. Observe 1 Nm of tightening torque!



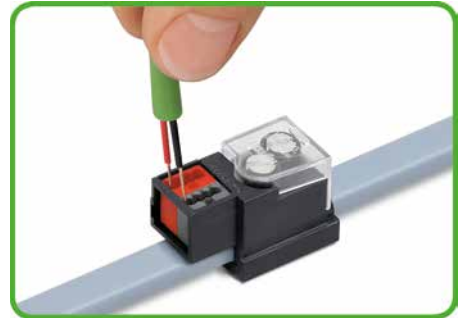
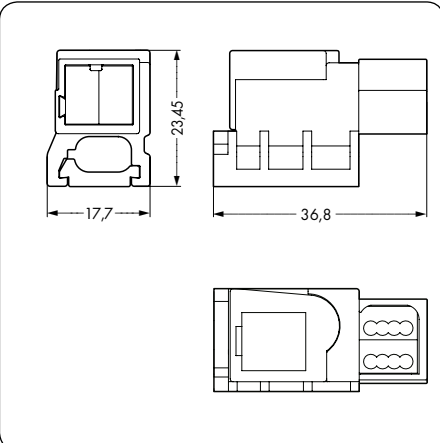
Snapping on transparent protective cover.

1 For "International Certification Organizations" and "Approvals – User Guide", see pages 300 to 303.

Processing temperature: +5 °C to +40 °C

● green Coding E (1+ 2-)
 ○ light gray Coding F (1+ 2-)

For coding information, see pages 284 to 286.
 Fire load data available upon request.



Terminating solid conductors: Simply push in stripped conductor until it hits backstop.

WINSTA® IDC

Tap-Off Modules, 2-Pole, for 2-Core Flat Cable

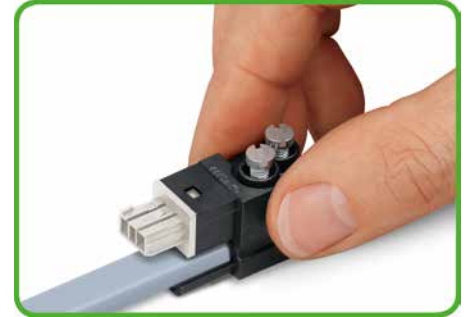
893 Series

FIT CLAMP®

9

233

50 V/0.8 kV/3 I_N 3 A ① Approvals	50 V/0.8 kV/3 I_N 3 A ① Approvals
--	--



The IDC module can only be mounted if the two codings match each other. Should the IDC module jam during mounting, turn the module by 180° and remount it, flush with the base.

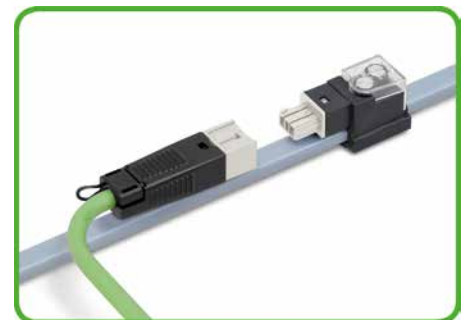
Color	Item No.	Pack. Unit	Color	Item No.	Pack. Unit
Tap-off module, 2-pole, for connectors and cable assemblies, KNX, 1 Nm tightening torque			Tap-off module, 2-pole, for connectors and cable assemblies, 1 Nm tightening torque		
● green	893-122	50	○ light gray	893-129	50
For suitable flat cables, see page 234.			For suitable flat cables, see page 234.		
Dimensions					



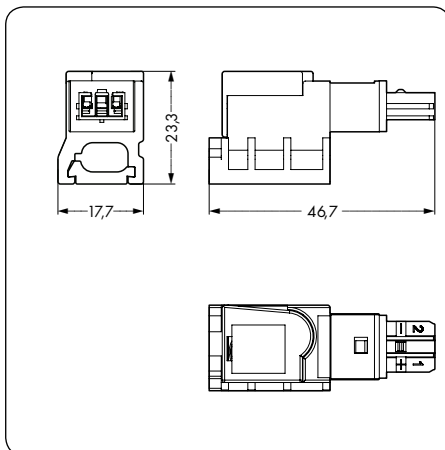
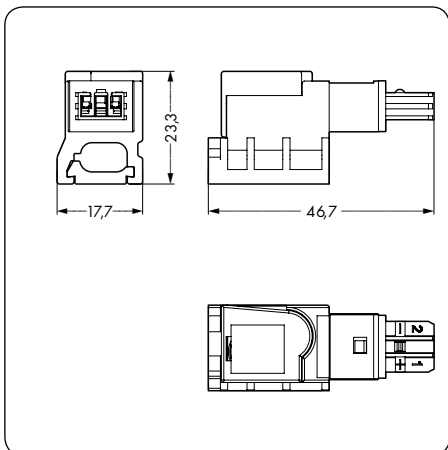
Contact is made with the flat cable by tightening the screws. Observe 1 Nm of tightening torque!



Snapping on transparent protective cover.



Connecting a cable assembly.











WINSTA® IDC Flat Cables 2 x 1.5 mm² 897 Series

	<p>Flat cable 2 x 1.5 mm² 2 Bus halogen-free 50 V</p> <p>📌 Approvals</p>	<p>Flat cable 2 x 1.5 mm² 2 Bus PVC 50 V</p> <p>📌 Approvals</p>
--	---	--

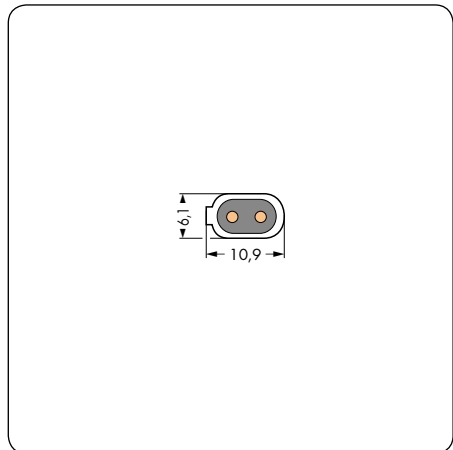
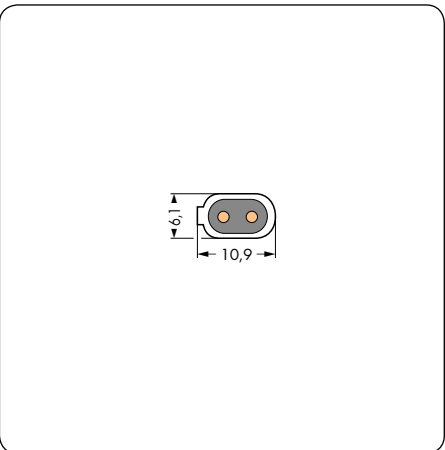


Description	Color	Item No.	Color	Item No.
Flat cables, halogen-free or PVC, 2-pole	Flat cable 2 x 1.5 mm ² , halogen-free		Flat cable 2 x 1.5 mm ² , PVC	
	light gray	897-122	light gray	897-121

Item-Specific Accessories				
	<p>Flat cable end cover, plastic. Every cable end must be fitted with an end cover.</p> <p> transparent 897-120 10</p>	<p>Flat cable end cover, plastic. Every cable end must be fitted with an end cover.</p> <p> transparent 897-120 10</p>		
	<p>Insulating tape for flat cables, for sealing contact holes in flat cables.</p> <p> black 897-900 10</p>	<p>Insulating tape for flat cables, for sealing contact holes in flat cables.</p> <p> black 897-900 10</p>		
	<p>Fixing clamp, plastic, for screw mounting</p> <p> gray 897-878 100</p>	<p>Fixing clamp, plastic, for screw mounting</p> <p> gray 897-878 100</p>		
	<p>Stripping pliers</p> <p> 897-971 1</p> <p>Cutter 897-972 1</p>	<p>Stripping pliers</p> <p> 897-971 1</p> <p>Cutter 897-972 1</p>		
Info	Dimensions			

📌 For "International Certification Organizations" and "Approvals – User Guide", see pages 300 to 303.

Fire load data available upon request.





WINSTA® IDC
IDC Quick Tap-Off Module 3 x 2.5 mm²

	<p>3 x 2.5 mm² 250 V/4 kV/3 I_N 24 A</p> <p>1 Approvals</p>	<p>3 x 2.5 mm² 250 V/4 kV/3 I_N 24 A</p> <p>1 Approvals</p>
--	---	---

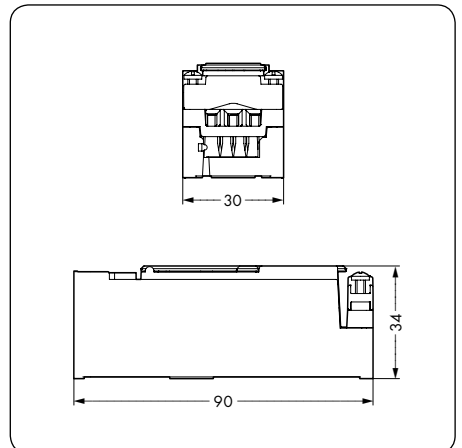
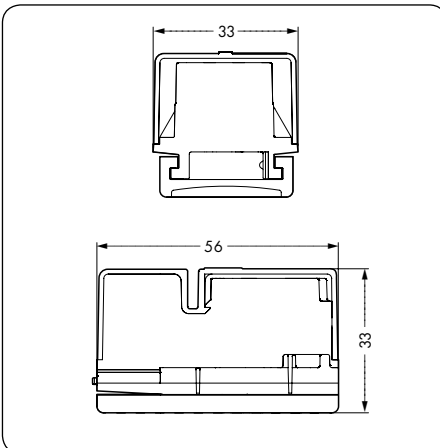


Description	Color	Item No.	Pack. Unit	Color	Item No.	Pack. Unit
Supply module for flat cable 3 x 2.5 mm ² , quick tap-off module for flat cable 3 x 2.5 mm ² , with screw connection						
	light gray	896-231	10	light gray	896-232	10
	Tightening torque: 0.7 Nm Phillips no. 1 screwdriver			Tightening torque: 0.7 Nm Phillips no. 1 screwdriver		
Info	Dimensions					

1 For "International Certification Organizations" and "Approvals – User Guide", see pages 300 to 303.

Processing temperature: +5 °C to +40 °C

Fire load data available upon request.

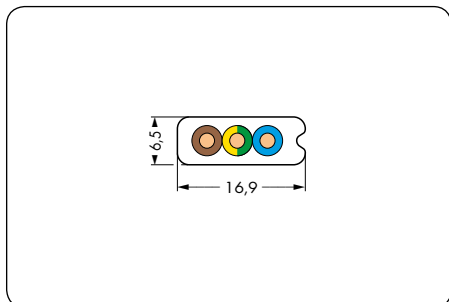


WINSTA® IDC Flat Cables 3 x 2.5 mm² 897 Series

	Flat cable 3 x 2.5 mm² 250 V Approvals
--	--








Position the base and tighten screw, if necessary. Insert flat cable accurately. The key in the base must match the groove in the cable insulation.



Description	Color	Item No.	Pack. Unit
Flat cable 3 x 2.5 mm ²	Flat cable PVC 3 x 2.5 mm ² , L + N + PE light gray	897-231	
	Flat cable 3 x 2.5 mm ² , halogen-free, L + N + PE light gray	897-232	


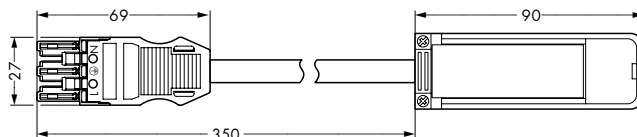


Cut outgoing feeder cable, completely strip and insert conductors. Tighten screws firmly (observe 0.7 Nm of tightening torque).

Item-Specific Accessories			
	Flat cable end cover , plastic. Every cable end must be fitted with an end cover.  transparent 897-230 10		
	Insulating tape for flat cables , for sealing contact holes in flat cables.  black 897-900 10		
	Fixing clamp , for screw mounting  dark gray 897-839 200 (8 x 25)		
	Stripping pliers , remove 17 mm of the conductor insulation.  897-931 1		
	Cutter  897-972 1		



Insert upper part into base until it hits the stop (which will click when engaged). Push down and lock lever. All 3 cores are contacted simultaneously.

Tap-Off Module with WINSTA® MIDI Socket	Color	Item No.	Pack. Unit
 	Tap-off module fitted with WINSTA® MIDI socket (coding A), with H35VV-F cable, 3.5 cm long, 3 x 2.5 mm²		
	black	896-233	10
	white	896-234	10
For other lengths, please contact factory.			

WINSTA® IDC POWERBLOCK 10 for Flat Cable 5 x 10 mm²



	<p>5 x 10 mm² 750 V/8 kV/3 I_N 57 A</p> <p>1 Approvals</p>	<p>5 x 4 mm² 690 V/8 kV/3 I_N 32 A</p> <p>1 Approvals</p>
--	---	--

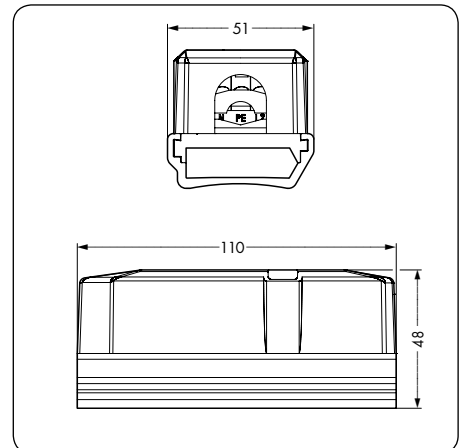
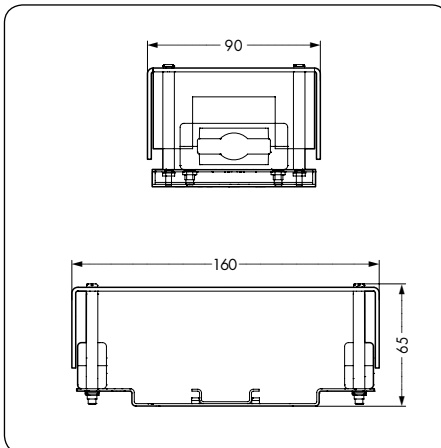


Description	Color	Item No.	Pack. Unit	Color	Item No.	Pack. Unit
Supply module for flat cable 5 x 10 mm ² , with CAGE CLAMP® S connection	transparent	895-1051	2	Tap-off module 5 x 4 mm ² , with spring clamp connection, for flat cable 5 x 10 mm ²	895-1052	25
Tap-off module with two outputs 5 x 4 mm ² , with CAGE CLAMP® connection						
				Tightening torque: 0.7 Nm		
Info		Dimensions				

1 For “International Certification Organizations” and “Approvals – User Guide”, see pages 300 to 303.

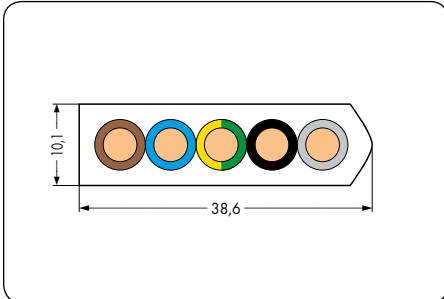
Processing temperature: +10 °C to +40 °C

Fire load data available upon request.



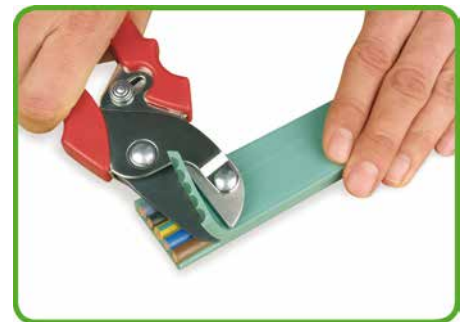
WINSTA® IDC Flat Cables 5 x 10 mm² 897 Series

	<p>Flat cable 5 x 10 mm² 0.6/1kV</p> <p>1 Approvals</p>
--	---



Cut both sides of the outer insulation of the flat cable using a stripping knife (observe 30 mm of cutting length).

Description	Color	Item No.	Pack. Unit
Flat cable 5 x 10 mm ²	Flat cable 5 x 10 mm ² , PVC, 3L + N + PE light gray	897-1051	
	Flat cable 5 x 10 mm ² , halogen-free, 3L + N + PE light gray	897-1052	



Cut off outer insulation via cutter.

Item-Specific Accessories			
	Flat cable end cover, plastic. Every cable end must be fitted with an end cover.	transparent	897-1050 10
	Insulating tape for flat cables, for sealing contact holes in flat cables.	black	897-900 10
	Fixing clamp, for screw mounting	dark gray	897-859 100
	Stripping knife		897-951 1
	Cutter		897-970 1





Push end cover fully onto the conductor ends.

Pre-Assembled Version



The 895-1652 Tap-Off Module is also available with a pre-assembled WINSTA® MIDI connector. For item number and delivery time, please contact factory.






WINSTA® IDC
POWERBLOCK 16
 for **5 x 16 mm² Flat Cable**

	5 x 16 mm² 690 V/8 kV/3 I_N 76 A	5 x 6 mm² 690 V/8 kV/3 I_N 41 A
	 Approvals	 Approvals




Description	Color	Item No.	Pack. Unit	Color	Item No.	Pack. Unit
Supply module for flat cable 5 x 16 mm ² , with screw connection				Tap-off module with two outputs 5 x 6 mm ² , with screw connection,		
Tap-off module with two outputs 5 x 6 mm ² , with screw connection				for 5 x 16 mm ² flat cable		
	black	895-1651	1	black	895-1652	5
	Tightening torque: 3.5 Nm			Tightening torque: 2 Nm		

Item-Specific Accessories

	Cable fitting, M40 x 1.5,  plastic, with O-ring gasket, clamping range: 20-26 mm Ø black 895-1601 5	Cable fitting, M25 x 1.5,  plastic, with O-ring gasket, clamping range: 9-16 mm Ø gray 895-1602 5
		Cable fitting, M25 x 1.5,  plastic, with O-ring gasket, clamping range: 13-18 mm Ø gray 895-1603 5
		Cable fitting, M25 x 1.5,  plastic, with O-ring gasket, clamping range: 20-26 mm Ø black 895-1604 5
		Filler plug, M25 x 1.5,  plastic, with O-ring gasket black 895-1605 5

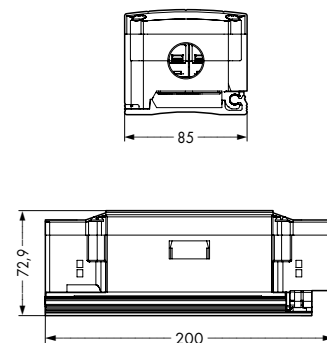
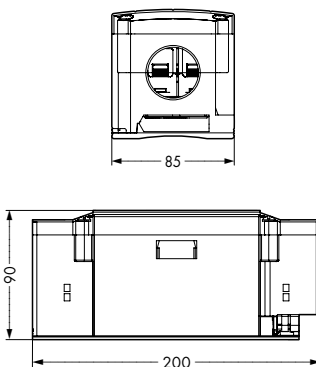
Info

Dimensions

 For "International Certification Organizations" and "Approvals – User Guide", see pages 300 to 303.

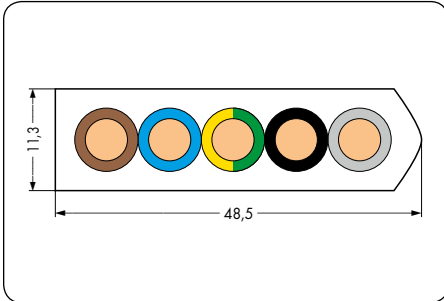
Processing temperature: +10 °C to +40 °C

Fire load data available upon request.



WINSTA® IDC Flat Cables 5 x 16 mm² 897 Series

	<p>Flat cable 5 x 16 mm² 0.6/1kV</p> <p>📌 Approvals</p>
--	--



Description	Color	Item No.	Pack. Unit
Flat cable 5 x 16 mm ²	PVC 5 x 16 mm ² flat cable, 3L + N + PE		
	light gray	897-1651	
Halogen-free 5 x 16 mm ² flat cable, 3L + N + PE	light gray		
		897-1652	



Make contact with the flat cable by tightening the screw until it hits the stop (observe the tightening torque!)

Item-Specific Accessories			
	Flat cable end cover, plastic. Every cable end must be fitted with an end cover.	transparent	897-1650 4
	Insulating tape for flat cables, for sealing contact holes in flat cables.	black	897-901 10
	Stripping knife		897-952 1
	Cutter		897-970 1



Red contact clips confirm that the contacts are made correctly when they are flush with the terminals.

Pre-Assembled Version



The 895-1652 Tap-Off Module is also available with a pre-assembled WINSTA® MAXI connector. For item number and delivery time, please contact factory.