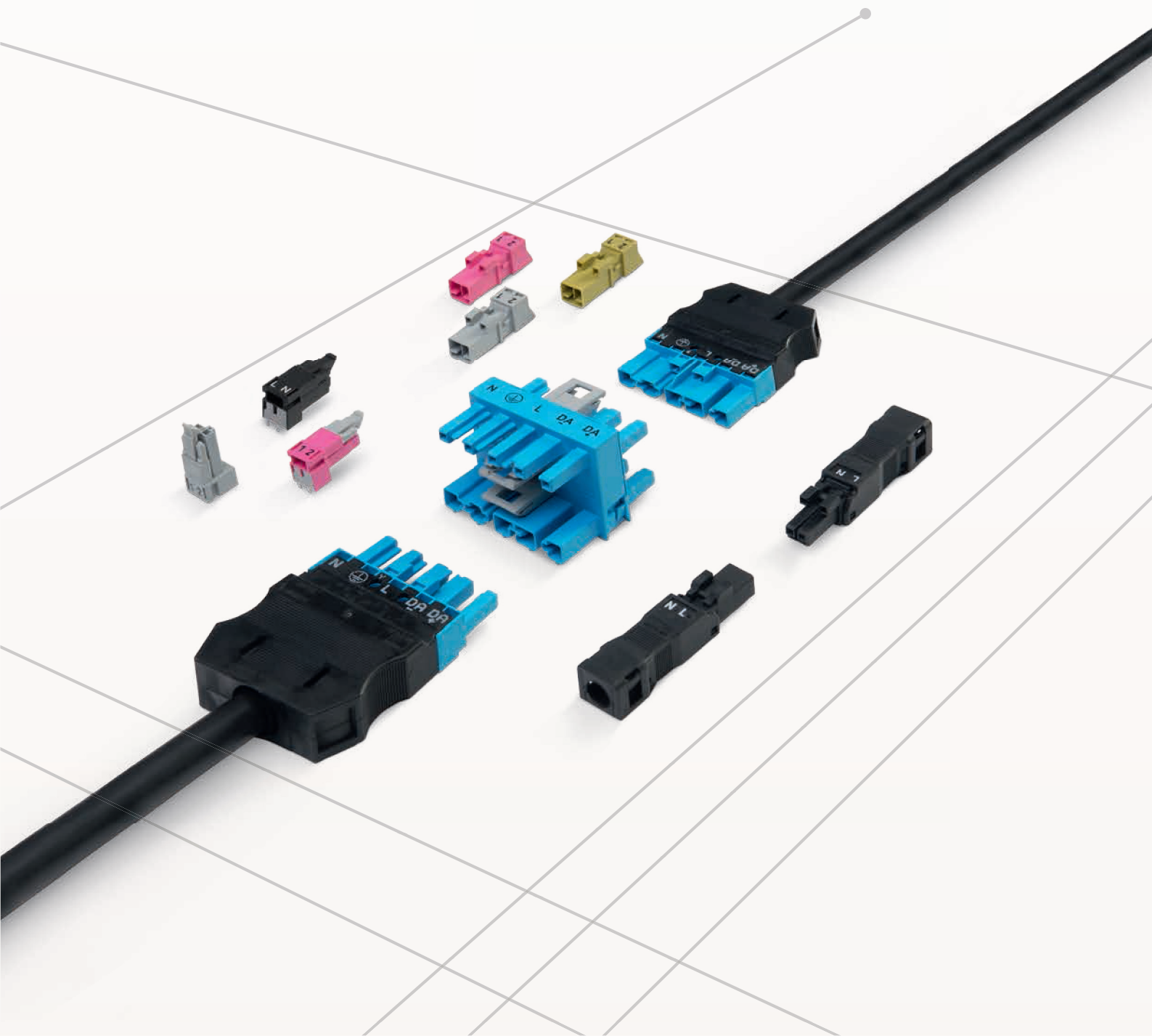


WINSTA® – The Pluggable Connection System

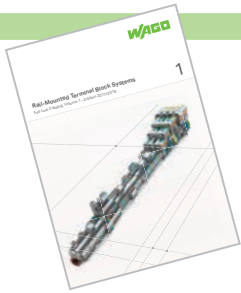
Full Line Catalog, Volume 5 – Edition 2017/2018

5

Ο Παρών κατάλογος είναι ενδεικτικός για λόγους μεγέθους
(ο,τι δεν είναι με κίτρινη ένδειξη (στα περιεχόμενα), εμπεριέχεται στον ολοκληρωμένο κατάλογο)



WAGO Full Line Catalogs



Volume 1, Rail-Mounted Terminal Block Systems

- Rail-Mounted Terminal Blocks
- Rail-Mounted Terminal Blocks with Pluggable Connector (X-COM®-SYSTEM)
- Patchboard Systems
- Terminal Strips
- PUSH WIRE® Connectors for Junction Boxes
- Lighting Connectors
- Shield Connecting System



Volume 2, PCB Terminal Blocks and Connectors

- PCB Terminal Blocks
- SMD PCB Terminal Blocks
- MULTI CONNECTION SYSTEM (MCS)
- Pluggable PCB Terminal Blocks
- Feedthrough Terminal Blocks
- Specialty Connectors
- Empty Housings



Volume 3, Automation Technology

- Software
- Operating & Monitoring
- Controllers
- Modular I/O-SYSTEM, IP20/IP67
- Industrial Switches
- Radio Technology, TO-PASS® Telecontrol Technology
- IP67 Sensor/Actuator Boxes, IP67 Cables and Connectors



Volume 4, Interface Electronic

- Relay and Optocoupler Modules
- JUMPFLEX® Signal Conditioners and Isolation Amplifiers
- Current and Energy Measurement Technology
- EPSITRON® Power Supply System
- Interface Modules and System Wiring
- Overvoltage Protection
- Empty Housings



Volume 5, WINSTA® – The Pluggable Connection System

- Pluggable Connectors
- Snap-In Device Connectors
- Pluggable PCB Connectors
- Distribution Connectors
- Cable Assemblies
- Flat Cable Systems
- Distribution Boxes



Volume 6, Marking

- Terminal Block Marking
- Cable and Conductor Marking
- Device Marking
- Printer
- Software
- Marker Carriers

Volume 5, WINSTA® – The Pluggable Connection System

			Page
	WINSTA® MINI , 890/891 Series, 2- to 5-Pole Pluggable connectors, snap-in device connectors, pluggable PCB connectors, distribution connectors, cable assemblies	1.5 mm ² (16 AWG), 16 A	6
	WINSTA® MINI special , 890/891 Series, 2- to 5-Pole Pluggable connectors, snap-in device connectors, pluggable PCB connectors, distribution connectors, cable assemblies	1.5 mm ² (16 AWG), 16 A	60
	WINSTA® MIDI , 770/771 Series, 2-, 3-, 6-, 7- Linect® T-connectors, pluggable connectors, snap-in device connectors, pluggable PCB connectors, distribution connectors, cable assemblies	4 mm ² (12 AWG), 25 A 	96
	WINSTA® MIDI special , 770/771 Series, 2- to 5-Pole Pluggable connectors, snap-in device connectors, pluggable PCB connectors, distribution connectors, cable assemblies	4 mm ² (12 AWG), 25 A	204
	WINSTA® Specialty Cable Assemblies Cable assemblies for specialty applications		240
	WINSTA® MAXI , 831 Series, 5-Pole Pluggable connectors	6 mm ² (8 AWG), 35 A	248
	WINSTA® RD , 774 Series, 3- and 4-Pole Cable assemblies	2.5 mm ² (14 AWG), 20 A	254
	WINSTA® KNX , 893/894 Series, 2-Pole Pluggable connectors, snap-in device connectors, distribution connectors, cable assemblies	0.8 mm Ø, 3 A	270
	WINSTA® IDC , 772/893/895/896/897 Series Supply and tap-off modules, flat cables	16 mm ² (6 AWG), 76 A	280
	WINSTA® Boxes , 899 Series Distribution boxes	2.5/4/6 mm ² (14/12/8 AWG), 20/25/35 A	304
	Accessories and Tools		338
	Technical Section		358
	Indexes and Addresses		374

Operating WAGO Connection Technologies

Please follow the applicable product-specific termination instructions.

PUSH-IN CAGE CLAMP®



Push-in CAGE CLAMP® terminates the following copper conductors: solid



stranded



fine-stranded, also with tinned single strands



fine-stranded, tip-bonded



fine-stranded, with ferrule (gastight crimped)



fine-stranded, with pin terminal (gastight crimped)

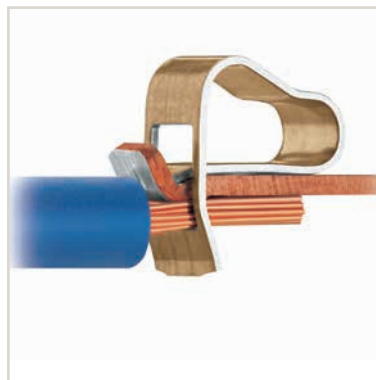
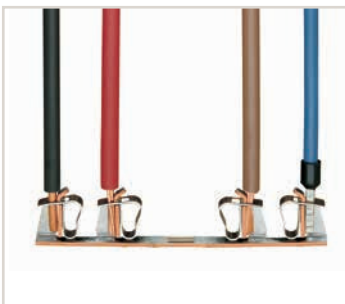
The universal connection with an additional advantage: Push-in termination

Terminate solid and stranded, as well as ferruled conductors, by simply pushing them in – no tools required.

Termination for all conductor types:

- Open clamping unit.
- Insert the conductor.
- Release clamp – done!

CAGE CLAMP®



CAGE CLAMP® terminates the following copper conductors: solid



stranded



fine-stranded, also with tinned single strands



fine-stranded, tip-bonded



fine-stranded, with ferrule (gastight crimped)



fine-stranded, with pin terminal (gastight crimped)

The universal connection for solid, stranded and fine-stranded conductors

Termination:

- Open clamping unit.
- Insert the conductor.
- Release clamp – done!

Operating WAGO Connection Technologies

Please follow the applicable product-specific termination instructions.

POWER CAGE CLAMP®



POWER CAGE CLAMP terminates the following copper conductors:
solid



stranded



fine-stranded,
also with tinned
single strands



fine-stranded,
with ferrule
(gastight crimped)

The universal connection for conductors larger than 35 mm² (2 AWG)

Termination:

- Open clamp by turning a T-wrench counter-clockwise.
- Press the integrated latch to open clamping unit for hands-free wiring.
- Insert the conductor.
- A small counter-clockwise rotation closes the clamp, securing conductor.

PUSH WIRE®



PUSH WIRE® terminates the following copper conductors:
solid

PUSH WIRE® connection for solid and stranded conductors (depending on the model used)

Termination:

Tool-free, twist-free terminations for solid and rigid stranded conductors – simply push into the unit.

WINSTA® – A Complete Series Perfects the System

The WINSTA® Pluggable Connection System

is the electrical interface that links power supply and distribution to electrical loads (e.g., lights) and encompasses data processing (bus lines in building automation).

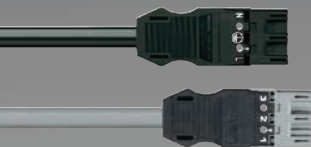
WINSTA® MAXI



WINSTA® MINI/ WINSTA® MINI special



WINSTA® MIDI/ WINSTA® MIDI special



WINSTA® RD





WINSTA® MIDI & Linect®

By interconnecting all electrical components, *WINSTA*® endows modern buildings with high levels of flexibility and durability that readily satisfy stringent norms and standards.

The *WINSTA*® system offers connections for virtually any building requirement from power supply to bus lines. Each unique *WINSTA*® model has been specifically developed to satisfy pole requirements, installation restrictions and current-carrying capacities.

Each model line contains both individual components (e.g., plugs, sockets, h-distribution connectors, T-distribution connectors, distribution boxes) and cable assemblies in standardized construction industry lengths.

The 2- to 7-pole *WINSTA*® components are packaged upon order and provided on-site to customers.

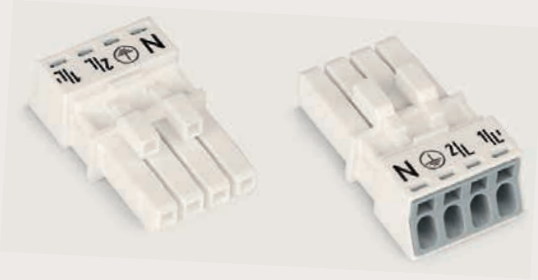
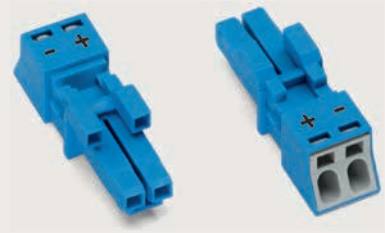
Comprehensive WAGO project support:

WAGO offers consulting and project planning services to help devise the best possible solution for your project. Our experienced team of professionals will gladly help you implement your project with our products.

Contact your regional WAGO representative or office.

WINSTA® KNX

WINSTA® IDC









WINSTA[®] MINI

WINSTA® MINI

1.5 mm² / 16 A

890 / 891 Series

- Note:**
- Installation connectors are designed for connection and disconnection while not under load.
 - There is no hazard-inducing interchangeability with systems based on IEC 60309, IEC 60320, IEC 60906 and with national connector and socket systems.
 - Compliance with the standards (IEC 61535) does not guarantee hazard-preventing, non-interchangeability with installation connector systems from various manufacturers.
 - Installation connector systems are not a substitute for residential connector/socket systems.

	Page	
	Pluggable Connectors, 890 Series	
	2-pole	12
	3-pole	26
	4-pole	38
	5-pole	48
	Strain Relief Housings, 890 Series	
	2-pole	14
	3-pole	28
	4-pole	40
	5-pole	50
	Snap-In Device Connectors, 890 Series	
	2-pole	15
	3-pole	29
	4-pole	41
	5-pole	51
	Pluggable PCB Connectors, 890 Series	
	2-pole	16
	3-pole	30
	4-pole	42
	5-pole	52
	Distribution Connectors, 890 Series	
	2-pole	18
	3-pole	32
	4-pole	44
	5-pole	54
	Cable Assemblies, 891 Series	
	2-pole	20
	3-pole	34
	4-pole	46
	5-pole	56

WINSTA® MINI

Technical Data, 2- to 5-Pole

890 / 891 Series



Connection Data

Connection technology	Push-in CAGE CLAMP®
Solid conductor	0.25 ... 1.5 mm ² / 22 ... 16 AWG
Solid conductor, push-in termination	0.75 ... 1.5 mm ² / 20 ... 16 AWG
Stranded conductor	0.25 ... 1 mm ² / 22 ... 18 AWG
Fine-stranded conductor	0.25 ... 1.5 mm ² / 22 ... 16 AWG
Fine-stranded conductor with uninsulated ferrule	0.25 ... 1 mm ² / 22 ... 18 AWG
Fine-stranded conductor with insulated ferrule	0.25 ... 0.75 mm ² / 22 ... 20 AWG
Strip length	9 mm / 0.35 inch (see also packaging or instructions)

Electrical Data

Rated voltage (III / 3)	
2-pole	250 V
3-pole	250 V
4-pole	400 V (250 V for PCB terminal blocks)
5-pole	400 V (250 V for PCB terminal blocks)
Rated surge voltage (III / 3)	
2-pole	4 kV
3-pole	4 kV
4-pole	6 kV (4 kV for PCB terminal blocks)
5-pole	6 kV (4 kV for PCB terminal blocks)
Rated current	
2-pole	16 A
3-pole	16 A 13 A for 3-pole load
4-pole	16 A 13 A for 3-pole load 10 A for 4-pole load
5-pole	16 A 13 A for 3-pole load 10 A for 4- and 5-pole load
Clearances and Creepage Distances	≥ 5.5 mm with strain relief ≥ 6.5 mm to exposed surfaces (Protection Category II)
Contact resistance	approx. 1 mΩ contact resistance approx. 0.25 mΩ contact transition socket / plug
Number of potentials	
2-pole	2
3-pole	3
4-pole	4
5-pole	5
Number of connection points	
2-pole	2
3-pole	3
4-pole	4
5-pole	5

Mechanical Data

Mating cycles	200, without resistive load 100, with resistive load I _N = 16 A (1.5 mm ²)
Mating forces	20 ... 70 N (depending on pole number)
Unmating forces	20 ... 70 N (depending on pole number) when unlocked
Retention forces	> 80 N (locked)
Cable diameter	
2-pole	3.8 ... 8.2 mm
3-pole	4.5 ... 10 mm
4-pole	6.5 ... 10.5 mm
5-pole	6.5 ... 10.5 mm
Protection type	IP2xC (with strain relief housing) Note: These compact connectors are not designed for use in open, easily accessible areas.
Processing temperature	-5 ... +40 °C

890 / 891 Series Accessories, see page 340

Approvals, see www.wago.com

Codings, see page 360

Mechanical Data (Continued)

Continuous operating temperature	-35 ... ≤ +85 °C PVC cable ≤ +70 °C (incl. halogen-free) Insulating parts ≤ +105 °C
Ground contact	First make/last break

Mismatching Protection

All WINSTA® components are 100 % protected against mismatching when:

- Plugging different number of poles
- Plugging when rotated by 180°
- Plugging when laterally staggered
- Plugging one pole

Locking Levers

All connectors for fixed installations (snap-in versions for lighting fixtures or devices, all types of PCB and distribution connectors) are factory-equipped with locking levers to ensure plugs and sockets are securely locked. Additional locking levers are only required for "flying leads" (plug/socket).

Material Data

Insulating parts	Polyamide (PA 66), halogen-free
Contacts	Copper or copper alloy, surface-treated
Clamping spring	Stainless steel (Cr-Ni)
Flammability class (per UL 94)	V0

Standards/Approvals

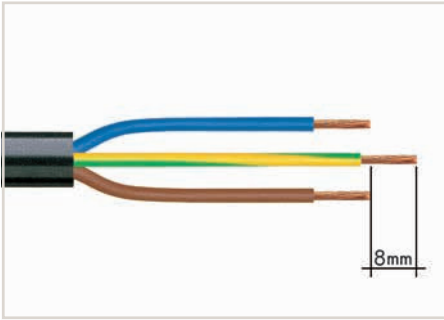
- UL (Depending on end-product standard, it may be necessary to use UL-approved cables with an appropriate AWG range. These cables are available upon request.)
- CCA certificate
- IEC 61984
- LR
- GL
- DNV

WINSTA® MINI

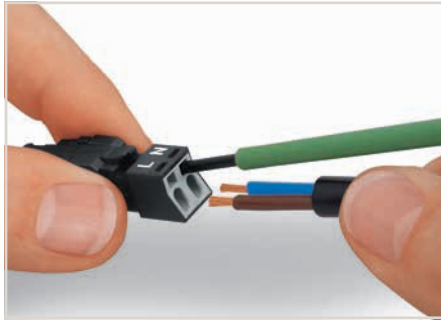
Installation

890 / 891 Series

1



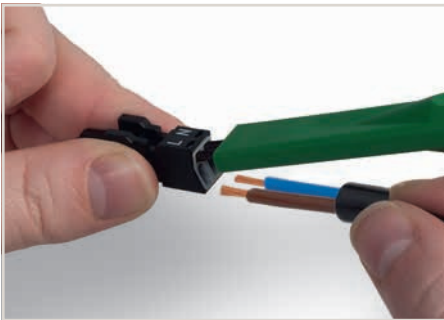
1. Strip length, outer insulation = x mm ❶
2. Strip length = 9 mm
3. Extended ground conductor = 8 mm



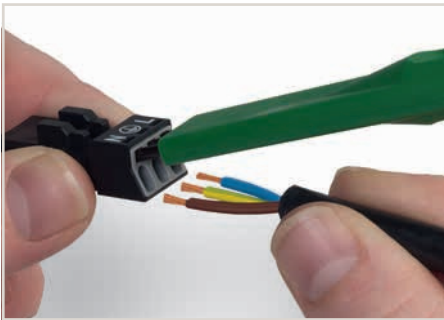
To terminate fine-stranded conductors, open the clamping unit via screwdriver (2.5 mm blade width) and insert a stripped conductor until it hits backstop. Terminate solid conductors by simply pushing them in.



Latch wired connector onto the base of the strain relief housing.



To terminate fine-stranded conductors, open clamping units via operating tool (890-382) and insert stripped conductors until they hit backstop. Terminate solid conductors by simply pushing them in.



To terminate fine-stranded conductors, open clamping units via operating tool (890-383) and insert stripped conductors until they hit backstop. Terminate solid conductors by simply pushing them in.



Connector with shield termination



Apply the shield to the rubber cable.
Strip length, outer insulation = 30 mm
Shield length = 8 mm



Push the shield connecting plate into the connector until fully inserted.

❶ Strip length, outer insulation: 2-pole = 30 mm, 3-pole = 37 mm, 4- and 5-pole = 45 mm



Push down strain relief clamp by hand.



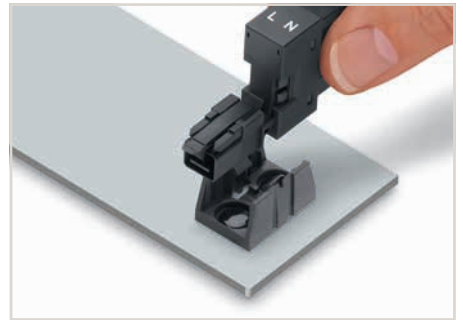
Push down strain relief clamp via 2.5 mm screwdriver alternately on both sides.



Latch the top of the strain relief housing.



Secure the mounting plate via pins.



The distribution connectors snap together when attached to the mounting plate.



First insert wired connector into strain relief housing, then snap the clamp and cover.



All connectors for fixed installations (snap-in versions, pluggable PCB connectors, distribution connectors) are factory-equipped with locking levers to ensure plugs and sockets are securely locked. Additional locking levers are only required for "flying leads" (plug/socket).



The printed marking of the connector is clearly visible in the openings of the strain relief housing.

WINSTA® MINI

Sockets and Plugs, 2-Pole

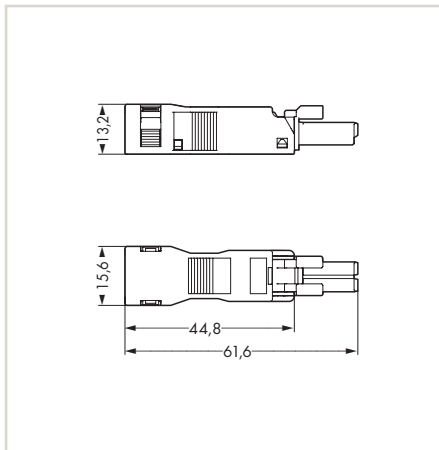
890 Series

1

Conductor range	0.25 ... 1.5 mm ² / 22 ... 16 AWG
Rated voltage	250 V
Rated current	16 A
Strip length	9 mm / 0.35 inch



Dimensions (in mm):



Socket, with strain relief housing, for 3.8 ... 8.2 mm cable diameter, 30 mm strip length

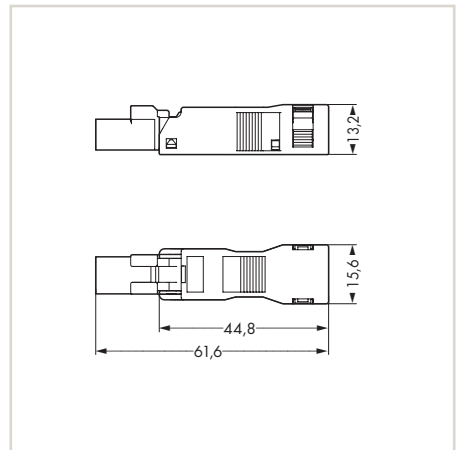
Color	Item No.	Pack. Unit
● black	890-102	50
○ white	890-122	50

Socket, with short strain relief housing, for 3.8 ... 8.2 mm cable diameter, 17.5 mm strip length

Color	Item No.	Pack. Unit
● black	890-102/342-000	50



Dimensions (in mm):



Plug, with strain relief housing, for 3.8 ... 8.2 mm cable diameter, 30 mm strip length

Color	Item No.	Pack. Unit
● black	890-112	50
○ white	890-132	50

Plug, with short strain relief housing, for 3.8 ... 8.2 mm cable diameter, 17.5 mm strip length

Color	Item No.	Pack. Unit
● black	890-112/342-000	50

Note:

All connectors for fixed installations (snap-in versions for lighting fixtures or devices, all types of PCB and distribution connectors) are factory-equipped with locking levers to ensure plugs and sockets are securely locked. Additional locking levers are only required for "flying leads" (plug/socket).

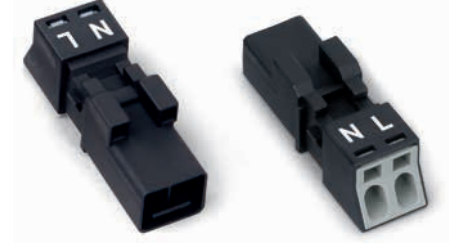
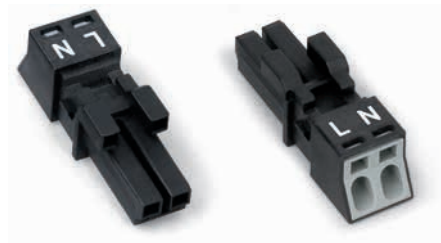
890 Series Accessories, see page 340

Approvals, see www.wago.com

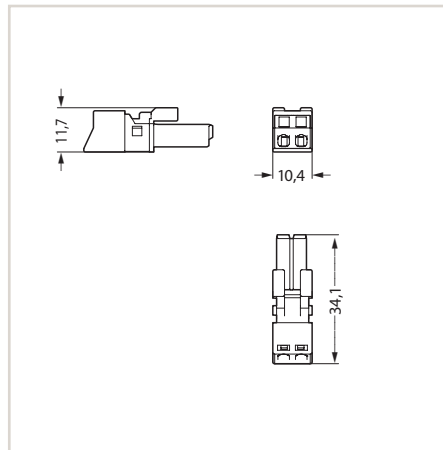
Coding Overview, see page 360

Coding	Marking	Color
A	L N	● black
A	L N	○ white

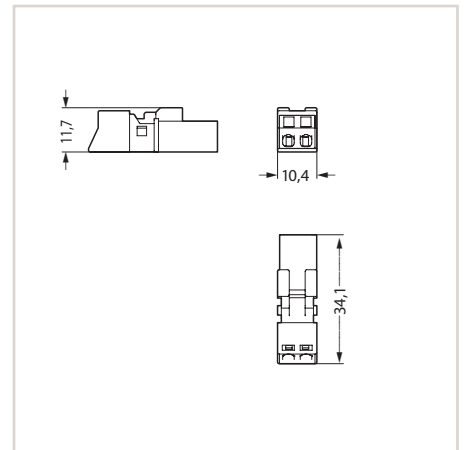
Conductor range	0.25 ... 1.5 mm ² / 22 ... 16 AWG
Rated voltage	250 V
Rated current	16 A
Strip length	9 mm / 0.35 inch



Dimensions (in mm):



Dimensions (in mm):


**Socket,
without strain relief housing**

Color	Item No.	Pack. Unit
● black	890-202	50
○ white	890-222	50
● blue	890-1102	50

**Plug,
without strain relief housing**

Color	Item No.	Pack. Unit
● black	890-212	50
○ white	890-232	50
● blue	890-1112	50

Coding	Marking	Color
A	L N	● black
A	L N	○ white
I	+ -	● blue

WINSTA® MINI

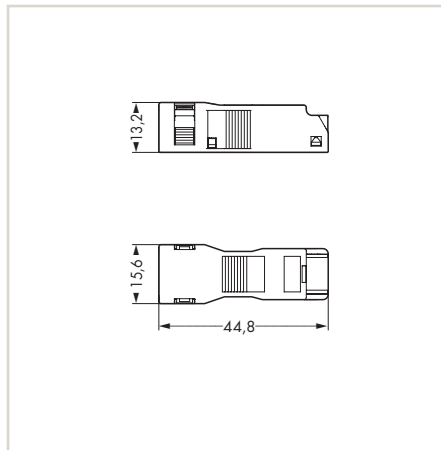
Strain Relief Housings, 2-Pole

890 Series

1



Dimensions (in mm):

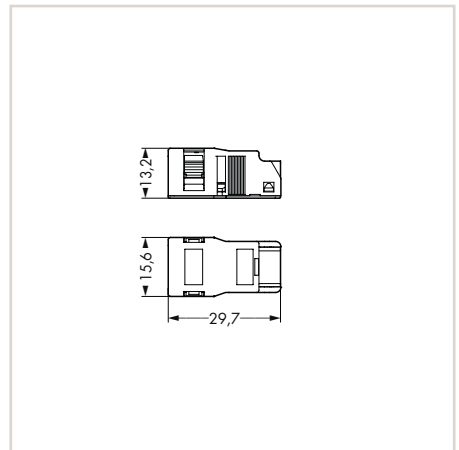


Strain relief housing,
for 3.8 ... 8.2 mm cable diameter,
30 mm strip length

Color	Item No.	Pack. Unit
black	890-502	50
white	890-512	50



Dimensions (in mm):





Strain relief housing, short,
for 3.8 ... 8.2 mm cable diameter,
17.5 mm strip length


Color	Item No.	Pack. Unit
black	890-502/342-000	50
white	890-512/342-000	50

Note:

All connectors for fixed installations (snap-in versions for lighting fixtures or devices, all types of PCB and distribution connectors) are factory-equipped with locking levers to ensure plugs and sockets are securely locked. Additional locking levers are only required for "flying leads" (plug/socket).

 890 Series Accessories,
see page 340

 Approvals,
see www.wago.com

 Coding Overview,
see page 360

WINSTA® MINI

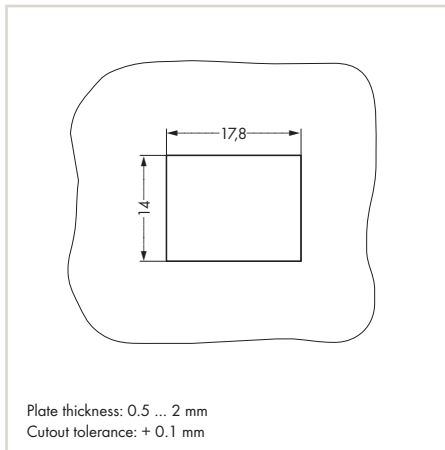
Snap-In Sockets and Plugs, 2-Pole

890 Series

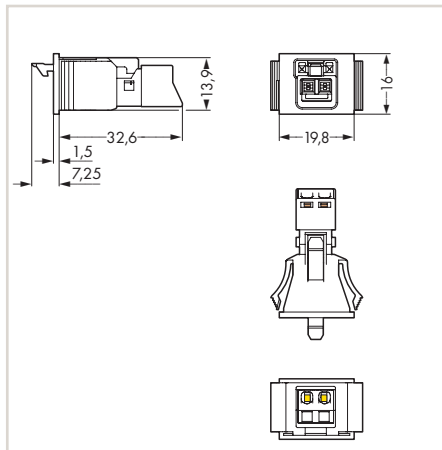
Conductor range	0.25 ... 1.5 mm ² / 22 ... 16 AWG
Rated voltage	250 V
Rated current	16 A
Strip length	9 mm / 0.35 inch



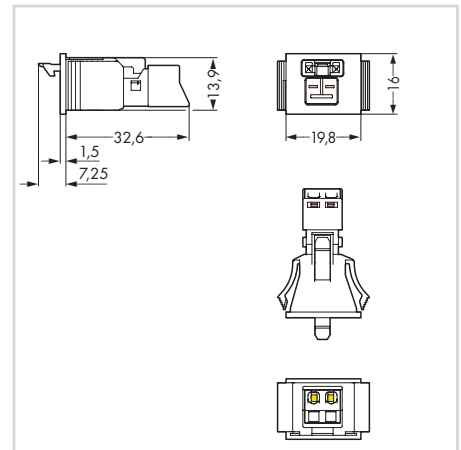
Dimensions (in mm):



Dimensions (in mm):



Dimensions (in mm):

**Socket**

Color	Item No.	Pack. Unit
● black	890-702	50
○ white	890-722	50
● blue	890-2102	50

Plug

Color	Item No.	Pack. Unit
● black	890-712	50
○ white	890-732	50
● blue	890-2112	50

Coding

A
A
I

Marking

L N
L N
+ -

Color

● black
○ white
● blue

WINSTA® MINI

Pluggable PCB Connectors, 2-Pole

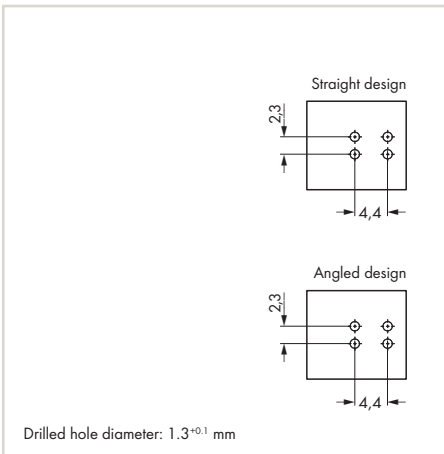
890 Series

1

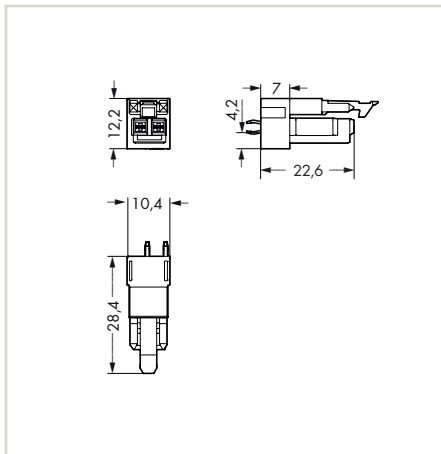
Rated voltage	250 V
Rated current	16 A



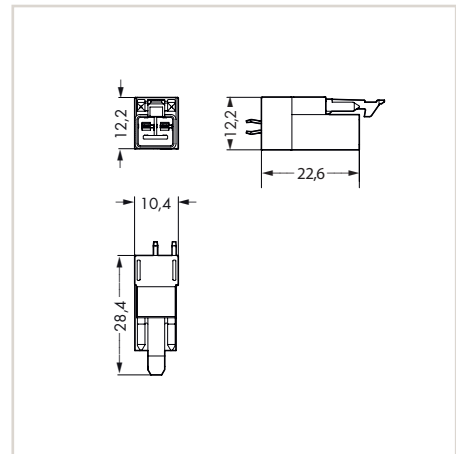
Dimensions (in mm):



Dimensions (in mm):



Dimensions (in mm):



Socket, straight		
Color	Item No.	Pack. Unit
● black	890-802	100
○ white	890-822	100
● blue	890-3102	100

Plug, straight		
Color	Item No.	Pack. Unit
● black	890-812	100
○ white	890-832	100
● blue	890-3112	100

Note:

All connectors for fixed installations (snap-in versions for lighting fixtures or devices, all types of PCB and distribution connectors) are factory-equipped with locking levers to ensure plugs and sockets are securely locked. Additional locking levers are only required for "flying leads" (plug/socket).

890 Series Accessories, see page 340

Approvals, see www.wago.com

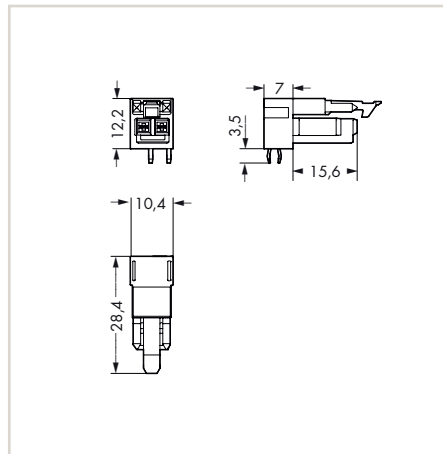
Coding Overview, see page 360

Coding	Marking	Color
A	L N	● black
A	L N	○ white
I	+ -	● blue

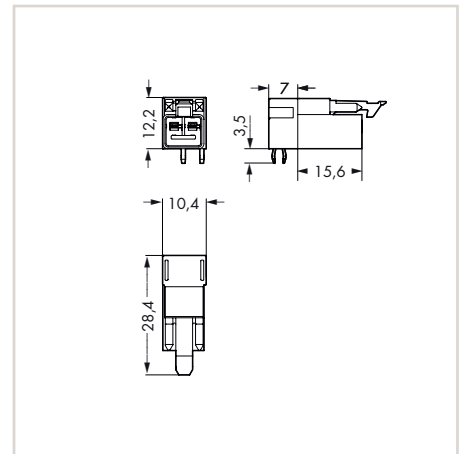
Rated voltage	250 V
Rated current	16 A



Dimensions (in mm):



Dimensions (in mm):



Socket, angled

Color	Item No.	Pack. Unit
● black	890-802/011-000	100
○ white	890-822/011-000	100
● blue	890-3102/011-000	100

Plug, angled

Color	Item No.	Pack. Unit
● black	890-812/011-000	100
○ white	890-832/011-000	100
● blue	890-3112/011-000	100

Coding	Marking	Color
A	L N	● black
A	L N	○ white
I	+ -	● blue

WINSTA® MINI

Distribution Connectors, 2-Pole

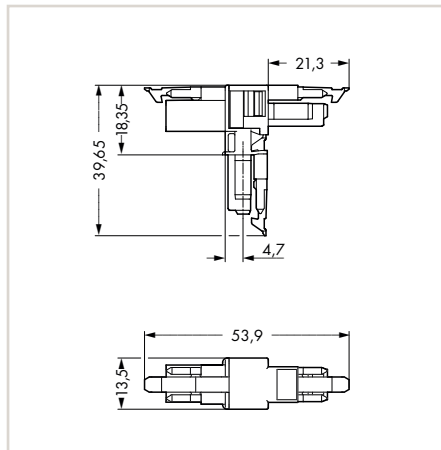
890 Series

1

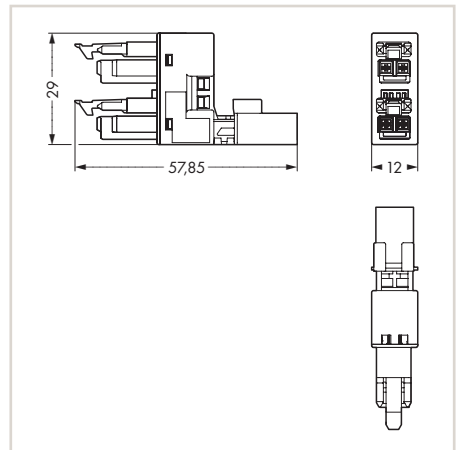
Rated voltage	250 V
Rated current	16 A



Dimensions (in mm):



Dimensions (in mm):



T-distribution connector,
1 x plug/2 x socket

Color	Item No.	Pack. Unit
● black	890-1606	25
○ white	890-1656	25
● blue	890-1617	25

h-distribution connector, unidirectional,
plug/socket – socket

Color	Item No.	Pack. Unit
● black	890-1634	50
○ white	890-1684	50

T-distribution connector,
1 x plug/2 x socket,
for "flying leads,"
with 3rd locking lever

Color	Item No.	Pack. Unit
● black	890-1615	25
○ white	890-1665	25
● blue	890-1620	25

h-distribution connector, unidirectional,
plug/socket – socket,
for "flying leads,"
with 3rd locking lever

Color	Item No.	Pack. Unit
● black	890-1636	50
○ white	890-1686	50

890 Series Accessories,
see page 340

Approvals,
see www.wago.com

Coding Overview,
see page 360

Coding	Marking	Color
A	L N	● black
A	L N	○ white
I	+ -	● blue

WINSTA® MINI

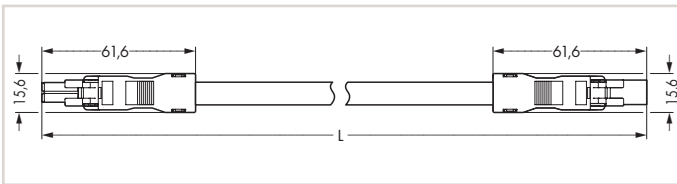
Cable Assemblies, 2 x 1 mm², PVC

891 Series

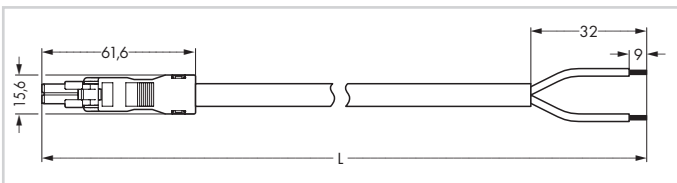
1



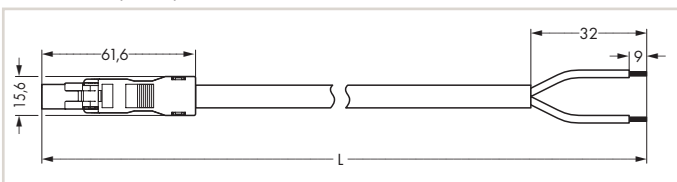
Dimensions (in mm):



Dimensions (in mm):



Dimensions (in mm):



Rated voltage	250 V
Rated current	10 A
Strip length	9 mm / 0.35 inch
Conductor preparation	tip-bonded

Interconnecting cable, socket – plug, PVC, coding A			
Length	● black	○ white	Pack. Unit
1 m	891-8992/005-101	891-8992/005-102	1
2 m	891-8992/005-201	891-8992/005-202	1
3 m	891-8992/005-301	891-8992/005-302	1
4 m	891-8992/005-401	891-8992/005-402	1
5 m	891-8992/005-501	891-8992/005-502	1
6 m	891-8992/005-601	891-8992/005-602	1
7 m	891-8992/005-701	891-8992/005-702	1
8 m	891-8992/005-801	891-8992/005-802	1

Connecting cable, socket – free end, PVC, coding A			
Length	● black	○ white	Pack. Unit
1 m	891-8992/105-101	891-8992/105-102	1
2 m	891-8992/105-201	891-8992/105-202	1
3 m	891-8992/105-301	891-8992/105-302	1
4 m	891-8992/105-401	891-8992/105-402	1
5 m	891-8992/105-501	891-8992/105-502	1
6 m	891-8992/105-601	891-8992/105-602	1
7 m	891-8992/105-701	891-8992/105-702	1
8 m	891-8992/105-801	891-8992/105-802	1

Connecting cable, plug – free end, PVC, coding A			
Length	● black	○ white	Pack. Unit
1 m	891-8992/205-101	891-8992/205-102	1
2 m	891-8992/205-201	891-8992/205-202	1
3 m	891-8992/205-301	891-8992/205-302	1
4 m	891-8992/205-401	891-8992/205-402	1
5 m	891-8992/205-501	891-8992/205-502	1
6 m	891-8992/205-601	891-8992/205-602	1
7 m	891-8992/205-701	891-8992/205-702	1
8 m	891-8992/205-801	891-8992/205-802	1

Additional cable lengths available upon request.

891 Series Accessories, see page 340

Approvals, see www.wago.com

Coding Overview, see page 360

Coding	Marking	Color
A	L N	● black
A	L N	○ white

WINSTA® MINI

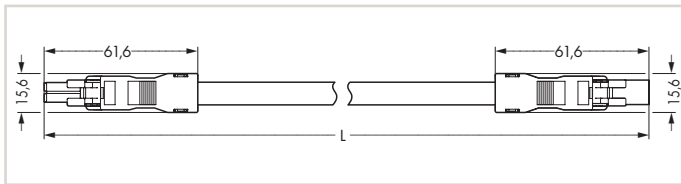
Cable Assemblies, 2 x 1 mm², Halogen-Free

891 Series

Rated voltage	250 V
Rated current	10 A
Strip length	9 mm / 0.35 inch
Conductor preparation	tip-bonded



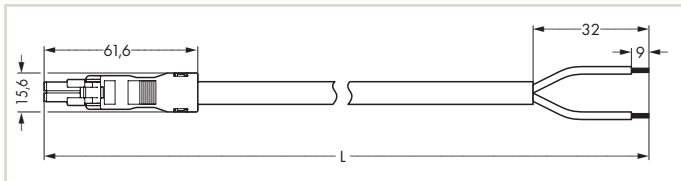
Dimensions (in mm):



Interconnecting cable, socket – plug, halogen-free, coding A			
Length	● black	○ white	Pack. Unit
1 m	891-8992/015-101	891-8992/015-102	1
2 m	891-8992/015-201	891-8992/015-202	1
3 m	891-8992/015-301	891-8992/015-302	1
4 m	891-8992/015-401	891-8992/015-402	1
5 m	891-8992/015-501	891-8992/015-502	1
6 m	891-8992/015-601	891-8992/015-602	1
7 m	891-8992/015-701	891-8992/015-702	1
8 m	891-8992/015-801	891-8992/015-802	1



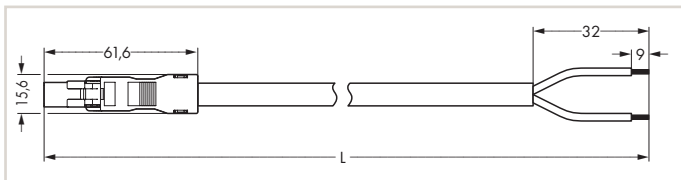
Dimensions (in mm):



Connecting cable, socket – free end, halogen-free, coding A			
Length	● black	○ white	Pack. Unit
1 m	891-8992/115-101	891-8992/115-102	1
2 m	891-8992/115-201	891-8992/115-202	1
3 m	891-8992/115-301	891-8992/115-302	1
4 m	891-8992/115-401	891-8992/115-402	1
5 m	891-8992/115-501	891-8992/115-502	1
6 m	891-8992/115-601	891-8992/115-602	1
7 m	891-8992/115-701	891-8992/115-702	1
8 m	891-8992/115-801	891-8992/115-802	1



Dimensions (in mm):



Connecting cable, plug – free end, halogen-free, coding A			
Length	● black	○ white	Pack. Unit
1 m	891-8992/215-101	891-8992/215-102	1
2 m	891-8992/215-201	891-8992/215-202	1
3 m	891-8992/215-301	891-8992/215-302	1
4 m	891-8992/215-401	891-8992/215-402	1
5 m	891-8992/215-501	891-8992/215-502	1
6 m	891-8992/215-601	891-8992/215-602	1
7 m	891-8992/215-701	891-8992/215-702	1
8 m	891-8992/215-801	891-8992/215-802	1

Coding	Marking	Color
A	L N	● black
A	L N	○ white

WINSTA® MINI

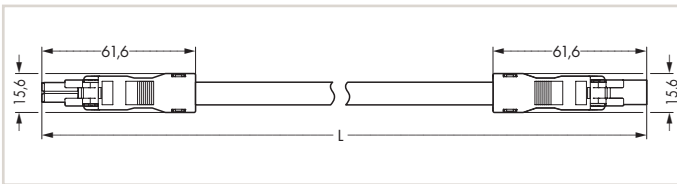
Cable Assemblies, 2 x 1.5 mm², PVC

891 Series

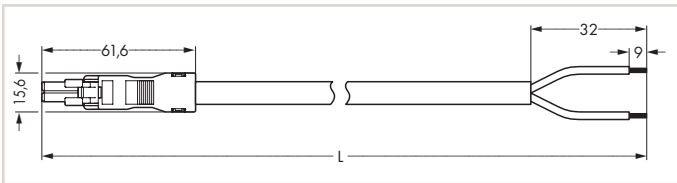
1



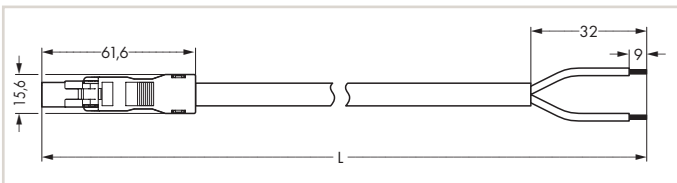
Dimensions (in mm):



Dimensions (in mm):



Dimensions (in mm):



Rated voltage	250 V
Rated current	16 A
Strip length	9 mm / 0.35 inch
Conductor preparation	tip-bonded

Interconnecting cable, socket – plug, PVC, coding A			
Length	● black	○ white	Pack. Unit
1 m	891-8992/006-101	891-8992/006-102	1
2 m	891-8992/006-201	891-8992/006-202	1
3 m	891-8992/006-301	891-8992/006-302	1
4 m	891-8992/006-401	891-8992/006-402	1
5 m	891-8992/006-501	891-8992/006-502	1
6 m	891-8992/006-601	891-8992/006-602	1
7 m	891-8992/006-701	891-8992/006-702	1
8 m	891-8992/006-801	891-8992/006-802	1

Connecting cable, socket – free end, PVC, coding A			
Length	● black	○ white	Pack. Unit
1 m	891-8992/106-101	891-8992/106-102	1
2 m	891-8992/106-201	891-8992/106-202	1
3 m	891-8992/106-301	891-8992/106-302	1
4 m	891-8992/106-401	891-8992/106-402	1
5 m	891-8992/106-501	891-8992/106-502	1
6 m	891-8992/106-601	891-8992/106-602	1
7 m	891-8992/106-701	891-8992/106-702	1
8 m	891-8992/106-801	891-8992/106-802	1

Connecting cable, plug – free end, PVC, coding A			
Length	● black	○ white	Pack. Unit
1 m	891-8992/206-101	891-8992/206-102	1
2 m	891-8992/206-201	891-8992/206-202	1
3 m	891-8992/206-301	891-8992/206-302	1
4 m	891-8992/206-401	891-8992/206-402	1
5 m	891-8992/206-501	891-8992/206-502	1
6 m	891-8992/206-601	891-8992/206-602	1
7 m	891-8992/206-701	891-8992/206-702	1
8 m	891-8992/206-801	891-8992/206-802	1

Additional cable lengths available upon request.

891 Series Accessories, see page 340

Approvals, see www.wago.com

Coding Overview, see page 360

Coding	Marking	Color
A	L N	● black
A	L N	○ white

WINSTA® MINI

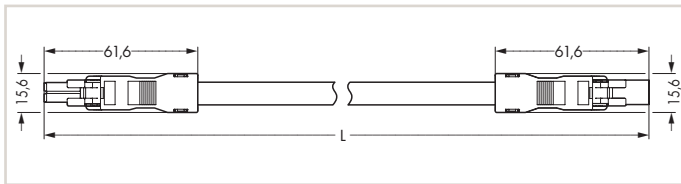
Cable Assemblies, 2 x 1.5 mm², Halogen-Free

891 Series

Rated voltage	250 V
Rated current	16 A
Strip length	9 mm / 0.35 inch
Conductor preparation	tip-bonded



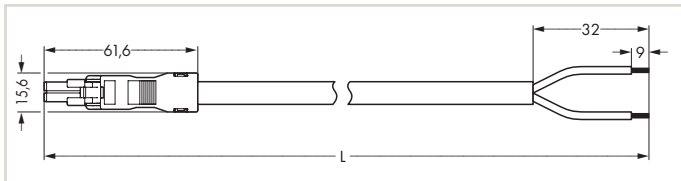
Dimensions (in mm):



Interconnecting cable, socket – plug, halogen-free, coding A			
Length	● black	○ white	Pack. Unit
1 m	891-8992/016-101	891-8992/016-102	1
2 m	891-8992/016-201	891-8992/016-202	1
3 m	891-8992/016-301	891-8992/016-302	1
4 m	891-8992/016-401	891-8992/016-402	1
5 m	891-8992/016-501	891-8992/016-502	1
6 m	891-8992/016-601	891-8992/016-602	1
7 m	891-8992/016-701	891-8992/016-702	1
8 m	891-8992/016-801	891-8992/016-802	1



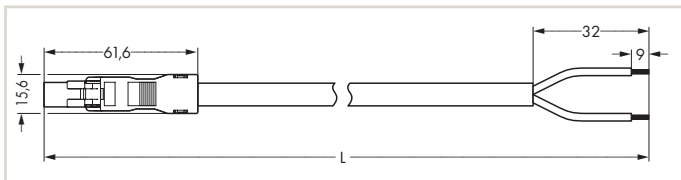
Dimensions (in mm):



Connecting cable, socket – free end, halogen-free, coding A			
Length	● black	○ white	Pack. Unit
1 m	891-8992/116-101	891-8992/116-102	1
2 m	891-8992/116-201	891-8992/116-202	1
3 m	891-8992/116-301	891-8992/116-302	1
4 m	891-8992/116-401	891-8992/116-402	1
5 m	891-8992/116-501	891-8992/116-502	1
6 m	891-8992/116-601	891-8992/116-602	1
7 m	891-8992/116-701	891-8992/116-702	1
8 m	891-8992/116-801	891-8992/116-802	1



Dimensions (in mm):



Connecting cable, plug – free end, halogen-free, coding A			
Length	● black	○ white	Pack. Unit
1 m	891-8992/216-101	891-8992/216-102	1
2 m	891-8992/216-201	891-8992/216-202	1
3 m	891-8992/216-301	891-8992/216-302	1
4 m	891-8992/216-401	891-8992/216-402	1
5 m	891-8992/216-501	891-8992/216-502	1
6 m	891-8992/216-601	891-8992/216-602	1
7 m	891-8992/216-701	891-8992/216-702	1
8 m	891-8992/216-801	891-8992/216-802	1

Coding	Marking	Color
A	L N	● black
A	L N	○ white

WINSTA® MINI

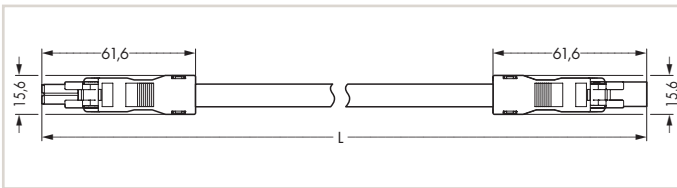
Cable Assemblies, 2 x 1.5 mm², PVC

891 Series

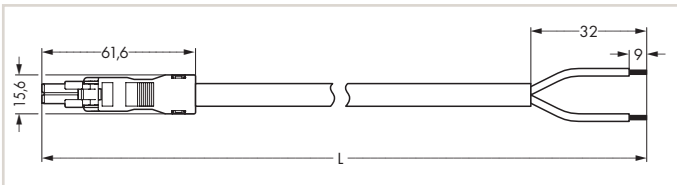
1



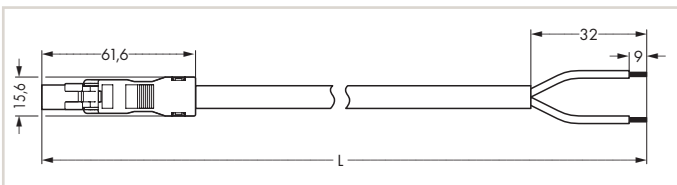
Dimensions (in mm):



Dimensions (in mm):



Dimensions (in mm):



Rated voltage	250 V
Rated current	16 A
Strip length	9 mm / 0.35 inch
Conductor preparation	tip-bonded

Interconnecting cable, socket – plug, for dimming functions (e.g., DALI), PVC, coding I			
Length	● black	○ white	Pack. Unit
1 m	891-8982/006-101	891-8982/006-102	1
2 m	891-8982/006-201	891-8982/006-202	1
3 m	891-8982/006-301	891-8982/006-302	1
4 m	891-8982/006-401	891-8982/006-402	1
5 m	891-8982/006-501	891-8982/006-502	1
6 m	891-8982/006-601	891-8982/006-602	1
7 m	891-8982/006-701	891-8982/006-702	1
8 m	891-8982/006-801	891-8982/006-802	1

Connecting cable, socket – free end, for dimming functions (e.g., DALI), PVC, coding I			
Length	● black	○ white	Pack. Unit
1 m	891-8982/106-101	891-8982/106-102	1
2 m	891-8982/106-201	891-8982/106-202	1
3 m	891-8982/106-301	891-8982/106-302	1
4 m	891-8982/106-401	891-8982/106-402	1
5 m	891-8982/106-501	891-8982/106-502	1
6 m	891-8982/106-601	891-8982/106-602	1
7 m	891-8982/106-701	891-8982/106-702	1
8 m	891-8982/106-801	891-8982/106-802	1

Connecting cable, plug – free end, for dimming functions (e.g., DALI), PVC, coding I			
Length	● black	○ white	Pack. Unit
1 m	891-8982/206-101	891-8982/206-102	1
2 m	891-8982/206-201	891-8982/206-202	1
3 m	891-8982/206-301	891-8982/206-302	1
4 m	891-8982/206-401	891-8982/206-402	1
5 m	891-8982/206-501	891-8982/206-502	1
6 m	891-8982/206-601	891-8982/206-602	1
7 m	891-8982/206-701	891-8982/206-702	1
8 m	891-8982/206-801	891-8982/206-802	1

Additional cable lengths available upon request.

891 Series Accessories, see page 340

Approvals, see www.wago.com

Coding Overview, see page 360

Coding	Marking	Color
I	+ -	● blue

WINSTA® MINI

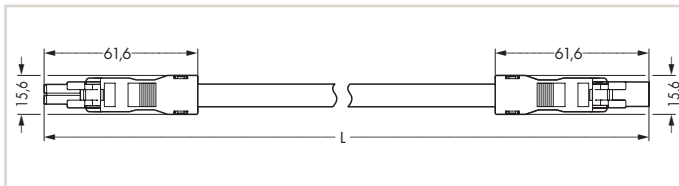
Cable Assemblies, 2 x 1.5 mm², Halogen-Free

891 Series

Rated voltage	250 V
Rated current	16 A
Strip length	9 mm / 0.35 inch
Conductor preparation	tip-bonded



Dimensions (in mm):

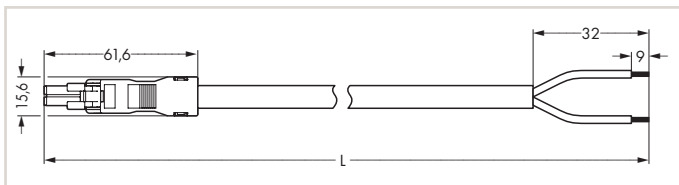


Interconnecting cable, socket – plug, for dimming functions (e.g., DALI), halogen-free, coding I

Length	● black	○ white	Pack. Unit
1 m	891-8982/016-101	891-8982/016-102	1
2 m	891-8982/016-201	891-8982/016-202	1
3 m	891-8982/016-301	891-8982/016-302	1
4 m	891-8982/016-401	891-8982/016-402	1
5 m	891-8982/016-501	891-8982/016-502	1
6 m	891-8982/016-601	891-8982/016-602	1
7 m	891-8982/016-701	891-8982/016-702	1
8 m	891-8982/016-801	891-8982/016-802	1



Dimensions (in mm):

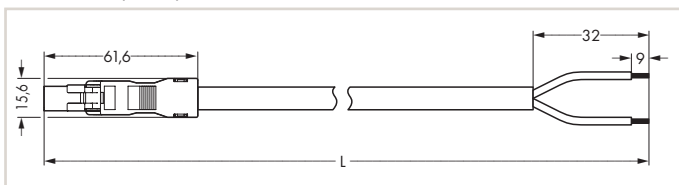


Connecting cable, socket – free end, for dimming functions (e.g., DALI), halogen-free, coding I

Length	● black	○ white	Pack. Unit
1 m	891-8982/116-101	891-8982/116-102	1
2 m	891-8982/116-201	891-8982/116-202	1
3 m	891-8982/116-301	891-8982/116-302	1
4 m	891-8982/116-401	891-8982/116-402	1
5 m	891-8982/116-501	891-8982/116-502	1
6 m	891-8982/116-601	891-8982/116-602	1
7 m	891-8982/116-701	891-8982/116-702	1
8 m	891-8982/116-801	891-8982/116-802	1



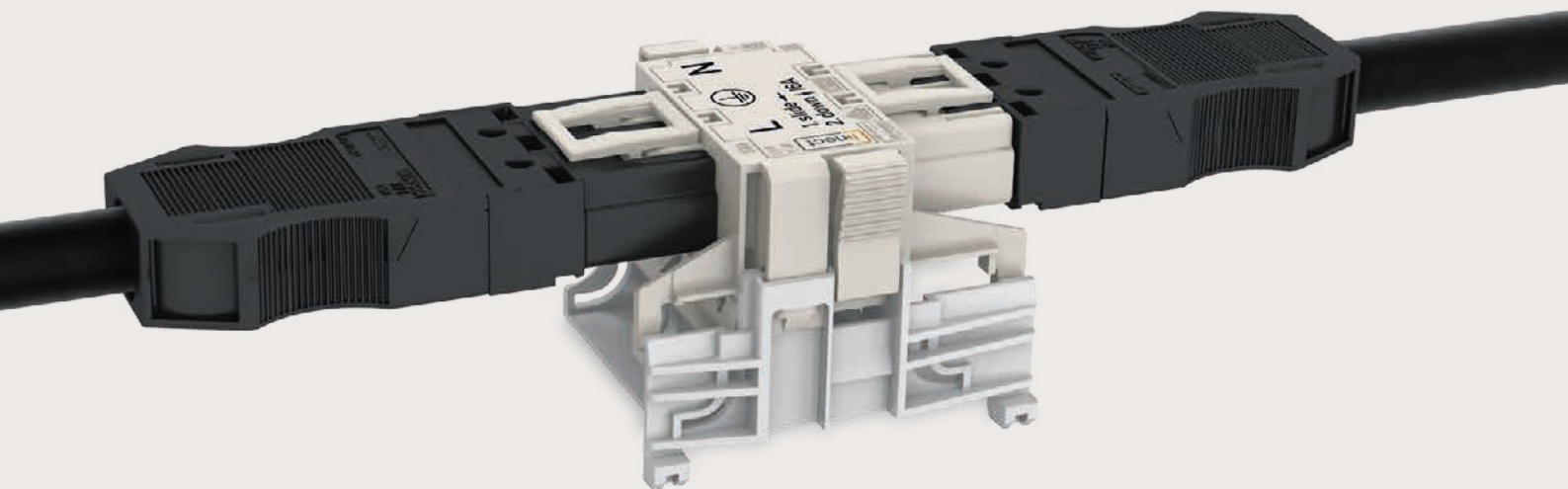
Dimensions (in mm):



Connecting cable, plug – free end, for dimming functions (e.g., DALI), halogen-free, coding I

Length	● black	○ white	Pack. Unit
1 m	891-8982/216-101	891-8982/216-102	1
2 m	891-8982/216-201	891-8982/216-202	1
3 m	891-8982/216-301	891-8982/216-302	1
4 m	891-8982/216-401	891-8982/216-402	1
5 m	891-8982/216-501	891-8982/216-502	1
6 m	891-8982/216-601	891-8982/216-602	1
7 m	891-8982/216-701	891-8982/216-702	1
8 m	891-8982/216-801	891-8982/216-802	1

Coding	Marking	Color
I	+ -	● blue











WINSTA[®] MIDI

WINSTA® MIDI

4 mm² / 25 A

770 / 771 Series

- Note:**
- Installation connectors are designed for connection and disconnection while not under load.
 - There is no hazard-inducing interchangeability with systems based on IEC 60309, IEC 60320, IEC 60906 and with national connector and socket systems.
 - Compliance with the standards (IEC 61535) does not guarantee hazard-preventing, non-interchangeability with installation connector systems from various manufacturers.
 - Installation connector systems are not a substitute for residential connector/socket systems.

	Page	
	Linect® T-Connectors, 770 Series	
	2-pole	102
	3-pole	102
	4-pole	103
	5-pole	103
	Pluggable Connectors, 770 Series	
	2-pole	104
	3-pole	120
	4-pole	154
	5-pole	166
	Strain Relief Housings, 770 Series	
	2-pole	106
	3-pole	122
	4-pole	156
	5-pole	170
6- and 7-pole	202	
	Snap-In Device Connectors, 770 Series	
	2-pole	107
	3-pole	124
	4-pole	158
	5-pole	172
	Pluggable PCB Connectors, 770 Series	
	3-pole	130
	4-pole	160
	5-pole	176
	Distribution Connectors, 770 Series	
	2-pole	108
	3-pole	132
	4-pole	162
	5-pole	178
	Cable Assemblies, 771 Series	
	2-pole	110
	3-pole	138
	4-pole	164
	5-pole	183
	IP 2XD, 770/771 Series	
	Strain relief housings, 3-pole	148
	Cable assemblies, 3-pole	150

WINSTA® MIDI

Technical Data, 2- to 5-Pole

770 / 771 Series



3

Connection Data

Connection technology	Push-in CAGE CLAMP®
Solid conductor	0.5 ... 4 mm ² / 20 ... 12 AWG
Solid conductor, push-in termination	1.5 ... 4 mm ² / 16 ... 12 AWG
Stranded conductor	0.5 ... 2.5 mm ² / 20 ... 14 AWG
Fine-stranded conductor	0.5 ... 4 mm ² / 20 ... 14 AWG
Fine-stranded conductor with uninsulated ferrule	0.25 ... 2.5 mm ² / 20 ... 14 AWG
Fine-stranded conductor with insulated ferrule	0.25 ... 1.5 mm ² / 20 ... 16 AWG
Strip length	9 mm / 0.35 inch (see also packaging or instructions)


Electrical Data


Rated voltage (III / 3)	
2-pole	250 V
3-pole	250 V
4-pole	400 V
5-pole	400 V
Rated surge voltage (III / 3)	
2-pole	4 kV
3-pole	4 kV
4-pole	6 kV
5-pole	6 kV
Rated current	
2-pole	25 A
3-pole	25 A
4-pole	25 A
5-pole	25 A
Clearances and Creepage Distances	≥ 5.5 mm to exposed surfaces
Contact resistance	approx. 1 mΩ contact resistance approx. 0.25 mΩ contact transition socket / plug
Number of potentials	
2-pole	2
3-pole	3
4-pole	4
5-pole	5
Number of connection points	
2-pole	4
3-pole	6
4-pole	8
5-pole	10 (5 for 1-conductor connection)

Mechanical Data

Mating cycles	200, without resistive load 100, with resistive load $I_N = 25 \text{ A}$ (4 mm ²)
Mating forces	20 ... 70 N (depending on pole number)
Unmating forces	20 ... 70 N (depending on pole number) when unlocked
Retention forces	> 80 N (locked)
Cable diameter	
2-pole	7 ... 10.5 mm
3-pole	8 ... 11.5 mm
4-pole	9 ... 13 mm
5-pole	9 ... 13 mm
Protection type	IP2xC (with strain relief housing) Note: These compact connectors are not designed for use in open, easily accessible areas.
Processing temperature	-5 ... +40 °C
Continuous operating temperature	-35 ... ≤ +85 °C PVC cable ≤ +70 °C (incl. halogen-free) Insulating parts ≤ +105 °C

 770 / 771 Series Accessories,
see page 343

 Approvals,
see www.wago.com

 Coding Overview,
see page 360

Mismatching Protection

All WINSTA® components are 100 % protected against mismatching when:

- Plugging different number of poles
- Plugging when rotated by 180°
- Plugging when laterally staggered
- Plugging one pole

Locking Levers

All connectors for fixed installations (snap-in versions for lighting fixtures or devices, all types of PCB and distribution connectors) are factory-equipped with locking levers to ensure plugs and sockets are securely locked. Additional locking levers are only required for "flying leads" (plug/socket).

Material Data

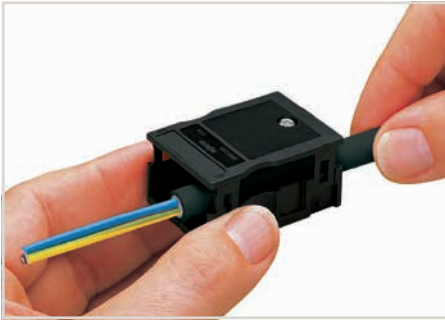
Insulating parts	Polyamide (PA 66), halogen-free
Contacts	Copper or copper alloy, surface-treated
Clamping spring	Stainless steel (Cr-Ni)
Flammability class (per UL 94)	V0

Standards/Approvals

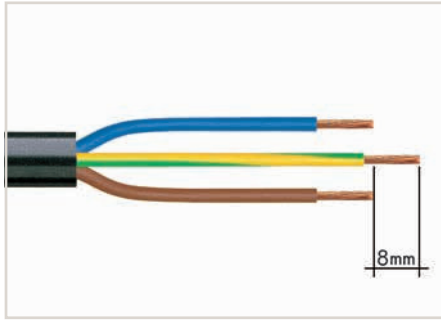
- UL (Depending on end-product standard, it may be necessary to use UL-approved cables with an appropriate AWG range. These cables are available upon request.)
- CCA certificate
- IEC 61535 (IEC 61984 for Linect®)
- LR
- GL
- DNV
- Specialty products for use in easily accessible areas are available (see page 148). These products meet IP 2XD protection class.

WINSTA® MIDI Installation 770 / 771 Series

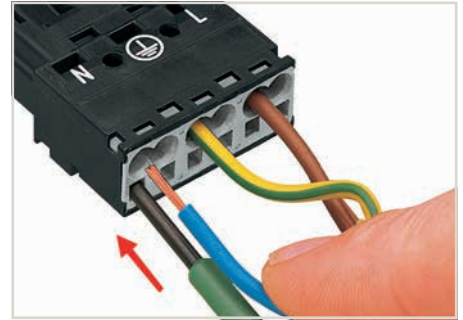
3



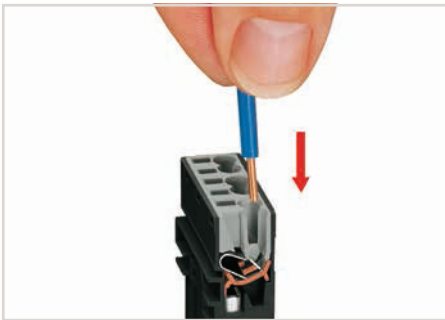
We recommend pulling the pre-latched strain relief housing over the cable prior to termination. However, the strain relief can be mounted at a later time as well.



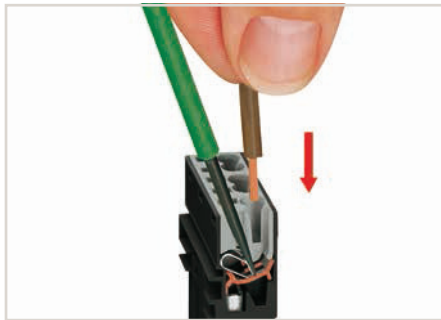
1. Strip length, outer insulation = x mm ❶
2. Strip length = 9 mm
3. Extended ground conductor = 8 mm



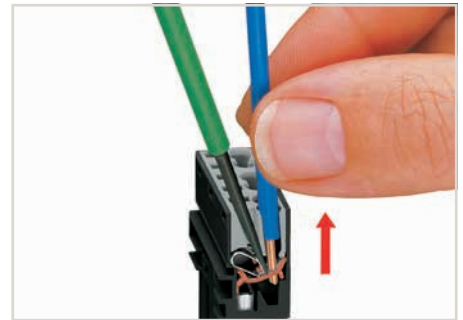
To terminate fine-stranded conductors, open the clamping unit via screwdriver (2.5 mm blade width) and insert stripped conductor until it hits backstop.



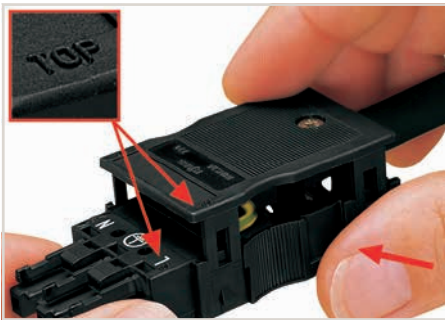
Insert stripped solid conductor until it hits backstop.



To terminate fine-stranded conductors, open the clamping unit via screwdriver (2.5 mm blade width) and insert stripped conductor until it hits backstop.



To remove the conductor, actuate the clamp via screwdriver (2.5 mm blade width) and pull out the conductor.



Latch the strain relief housing on the plug/socket. Note the "TOP" inscription.



Prepare strain relief housing by snapping together upper and bottom part.



Tighten strain relief screw via screwdriver (2.5 mm blade width).



Simply cut off the coding pin from the socket.

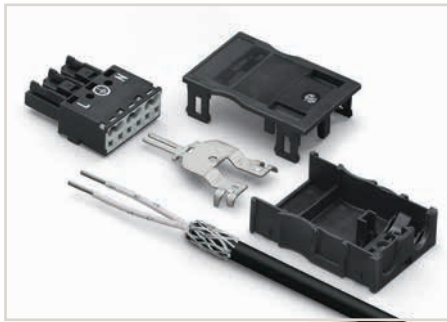


Insert coding pin into plug (break first) until it engages.



Marking strain relief housing via WSB Quick Marking System.

❶ Strip length, outer insulation: 2-pole = 35 mm, 3- to 5-pole = 55 mm

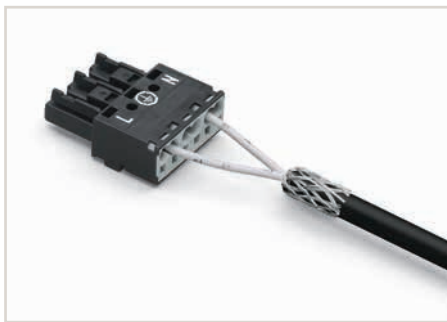


Connector with shield termination

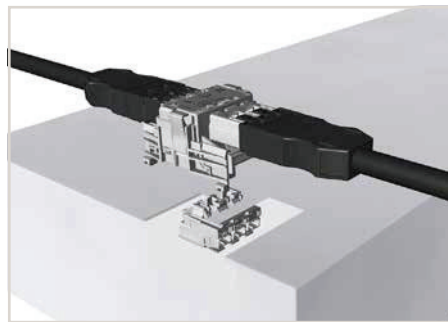


the light connection system

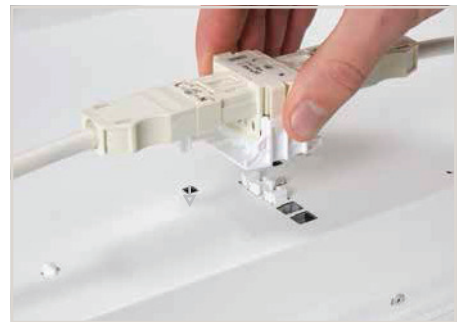
3



Apply the shield to the rubber cable.
Strip length, outer insulation = 55 mm
Shield length = 10 mm



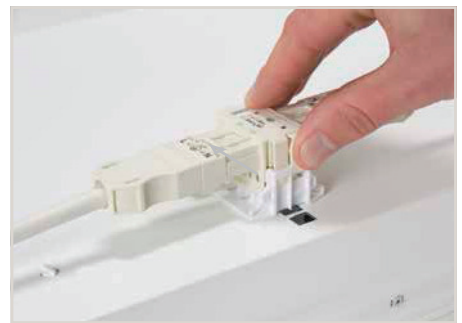
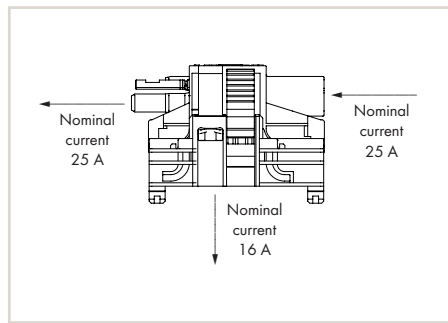
Connecting a T-connector to a 294 Series lighting connector.



Align the T-connector with the square cutouts.



Push the shield connecting plate into the connector until fully inserted.



Move the T-connector toward the square cutouts until it is locked in position.



First insert wired connector into strain relief housing, then snap cover and tighten screw.



Push down until fully engaged – done!

WINSTA® MIDI

Linect® T-Distribution Connectors, 2- and 3-Pole

770 Series

Rated voltage

250 V

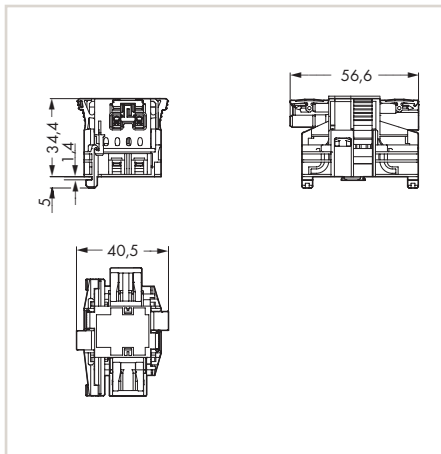
Rated current

25 A (16 A)

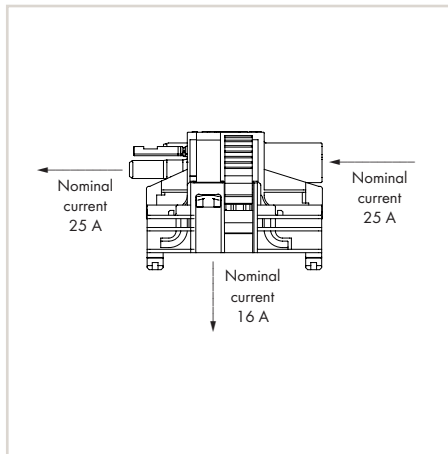
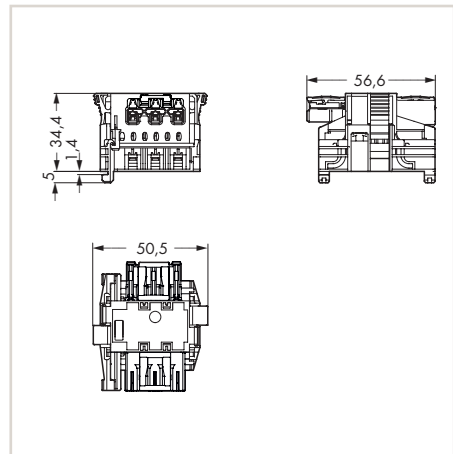
3



Dimensions (in mm):



Dimensions (in mm):



Linect® T-connector, socket – plug, for DALI applications, white housing, blue cover, for lighting connectors 294-8032

Color	Item No.	Pack. Unit
● blue	770-7102	20

Linect® T-connector, socket – plug, white housing, white cover, for lighting connectors 294-8013 and 294-8113

Color	Item No.	Pack. Unit
○ white	770-6223	25

Linect® T-connector, socket – plug, for DALI applications, white housing, dark gray cover, for lighting connectors 294-8022

Color	Item No.	Pack. Unit
● dark gray	770-7502	20

770 Series Accessories, see page 343

Approvals, see www.wago.com

Coding Overview, see page 360

Coding

A

I

L

Marking

L ⊕ N

DA+ DA-

L' N'

Color

○ white

● blue

● dark gray

WINSTA® MIDI

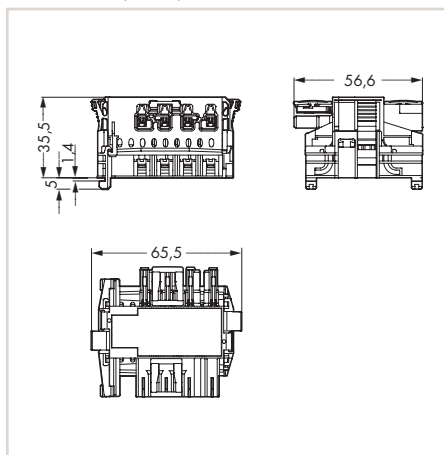
Linect® T-Distribution Connectors, 4- and 5-Pole

770 Series

Rated voltage	400 V
Rated current	25 A (16 A)



Dimensions (in mm):

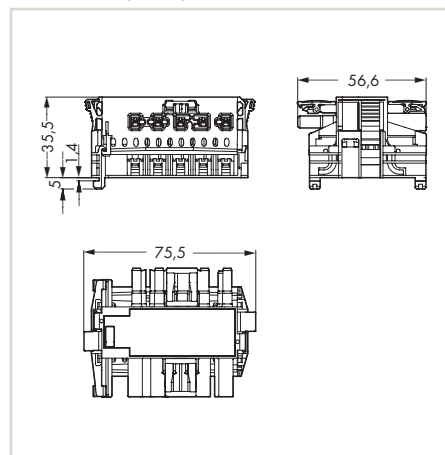


Linect® T-connector,
socket – plug,
white housing, white cover,
for lighting connectors
294-8024 and 294-8124

Color	Item No.	Pack. Unit
○ white	770-6224	25



Dimensions (in mm):



Linect® T-connector,
socket – plug,
white housing, white cover,
for lighting connectors
294-8015 and 294-8115

Color	Item No.	Pack. Unit
○ white	770-6225	25

Linect® T-connector,
socket – plug, for DALI applications,
white housing, blue cover,
for lighting connectors
294-8035 and 294-8135

Color	Item No.	Pack. Unit
● blue	770-7105	20

Linect® T-connector,
socket – plug,
white housing, dark gray cover
for lighting connectors
294-8025 and 294-8125

Color	Item No.	Pack. Unit
● dark gray	770-7505	20

Coding	Marking	Color
A	N ⊕ 2L 1L	○ white
A	N ⊕ L1 L2 L3	○ white
I	N ⊕ L DA+ DA-	● blue
L	N ⊕ L N' L'	● dark gray

WINSTA® MIDI

Sockets and Plugs, 2-Pole 770 Series

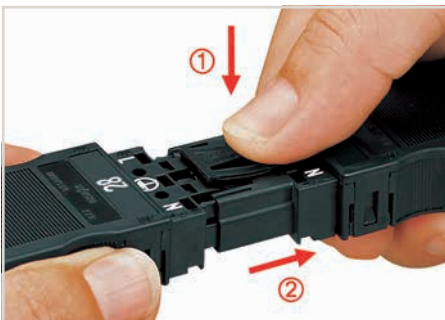


Snap on locking lever – observe direction (picture shows 3-pole plug).

Conductor range	0.5 ... 4 mm ² / 20 ... 12 AWG
Rated voltage	250 V
Rated current	25 A
Strip length	9 mm / 0.35 inch



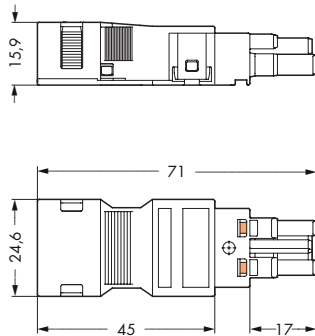
3



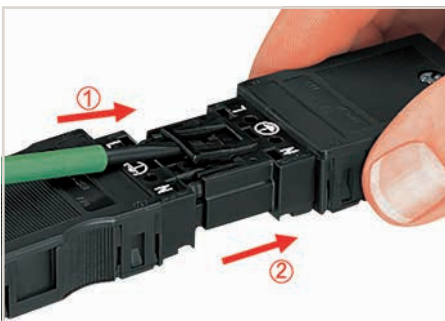
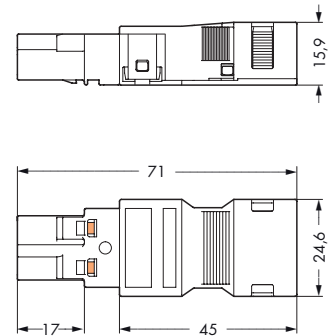
Locking lever, manually operated (picture shows 3-pole connectors):

- Push on locking lever.
- Pull apart the connectors.

Dimensions (in mm):



Dimensions (in mm):



Locking lever, tool operated (picture shows 3-pole connectors):

- Unlatch locking lever.
- Pull apart the connectors.

Socket, with strain relief housing, for one cable, 7 ... 10.5 mm cable diameter, 35 mm strip length

Color	Item No.	Pack. Unit
● black	770-102	25
○ white	770-122	25

Plug, with strain relief housing, for one cable, 7 ... 10.5 mm cable diameter, 35 mm strip length

Color	Item No.	Pack. Unit
● black	770-112	25
○ white	770-132	25

Note:

All connectors for fixed installations (snap-in versions for lighting fixtures or devices, all types of PCB and distribution connectors) are factory-equipped with locking levers to ensure plugs and sockets are securely locked. Additional locking levers are only required for "flying leads" (plug/socket).

770 Series Accessories, see page 343

Approvals, see www.wago.com

Coding Overview, see page 360

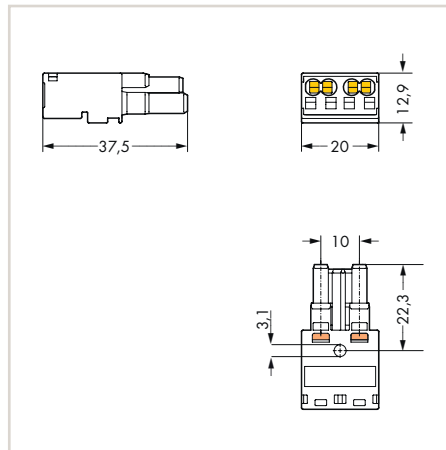
Coding	Marking	Color
A	L N	● black
A	L N	○ white

Conductor range	0.5 ... 4 mm ² / 20 ... 12 AWG
Rated voltage	250 V
Rated current	25 A
Strip length	9 mm / 0.35 inch

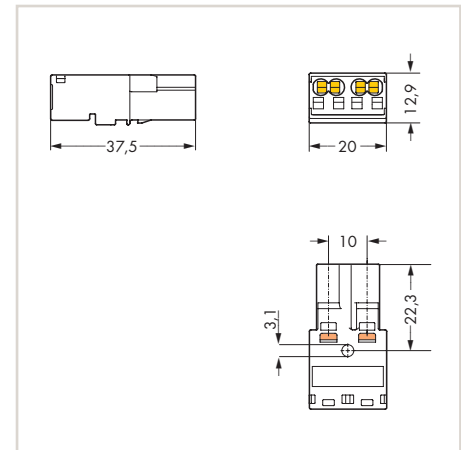


3

Dimensions (in mm):



Dimensions (in mm):



Socket, without strain relief housing

Color	Item No.	Pack. Unit
● black	770-202	100
○ white	770-222	100
● blue	770-1102	100
● dark gray	770-1162	100

Plug, without strain relief housing

Color	Item No.	Pack. Unit
● black	770-212	100
○ white	770-232	100
● blue	770-1112	100
● dark gray	770-1172	100

Coding	Marking	Color
A	L N	● black
A	L N	○ white
I	DA+ DA-	● blue
L	L' N'	● dark gray

WINSTA® MIDI

Strain Relief Housings for Different Cable Diameters, 2-Pole 770 Series



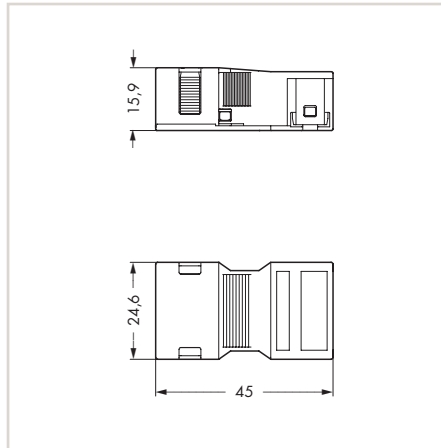
Snap-on type strain relief housings for:

- 2-pole sockets
- 2-pole plugs

3



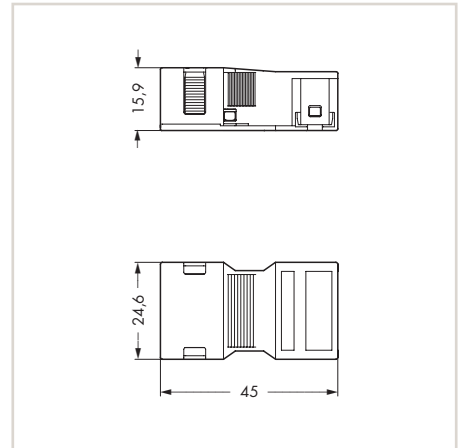
Dimensions (in mm):



Strain relief housing,
for one cable, 5 ... 9 mm cable diameter,
35 mm strip length

Color	Item No.	Pack. Unit
black	770-502/042-000	50
white	770-512/042-000	50

Dimensions (in mm):



Strain relief housing,
for one cable, 7 ... 10.5 mm cable diameter,
35 mm strip length

Color	Item No.	Pack. Unit
black	770-502/041-000	50
white	770-512/041-000	50

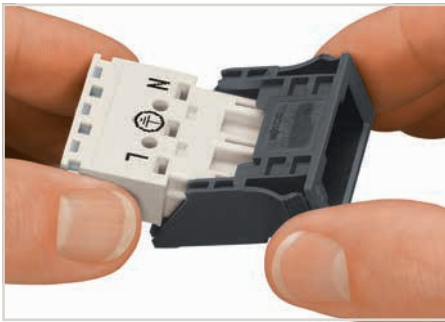
Marking strips,
see page 357

Approvals,
see www.wago.com

WINSTA® MIDI

Snap-In Frames, 2-Pole

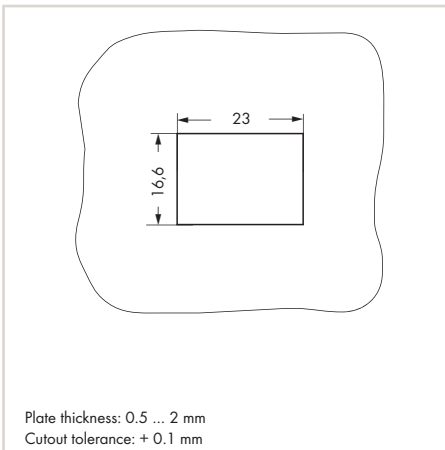
770 Series



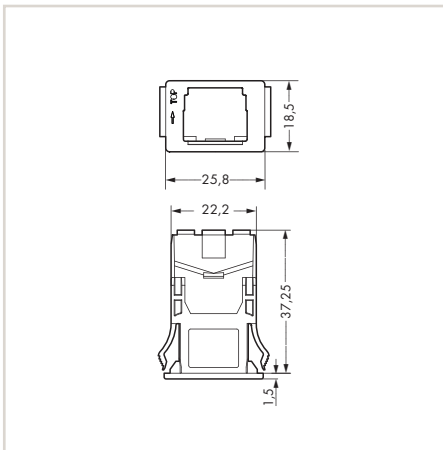
Insert the socket or plug into the frame (observe the "TOP" marking on the frame!), then snap the assembled unit into the cutout (picture shows a 3-pole connector).



Dimensions (in mm):



Dimensions (in mm):



Snap-in frame, for 2-pole sockets and plugs

Color	Item No.	Pack. Unit
black	770-317	100
white	770-337	100

WINSTA® MIDI

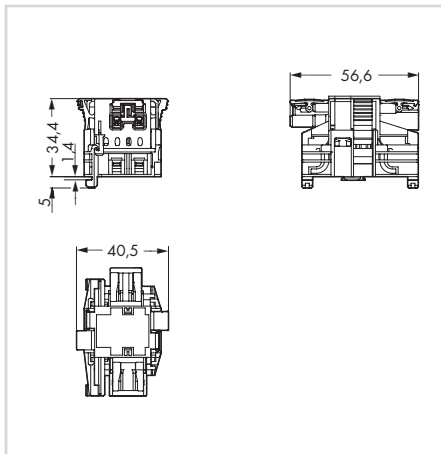
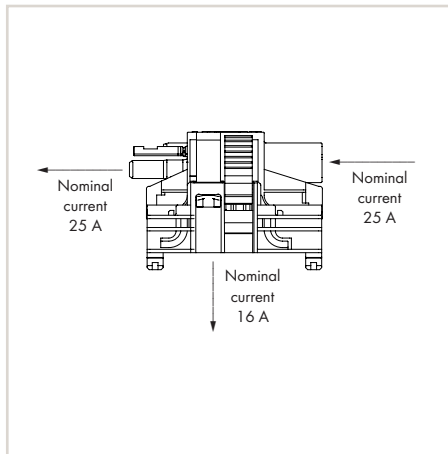
Linect® T-Distribution Connectors and T-Connectors, 2-Pole 770 Series

Rated voltage	250 V
Rated current	25 A

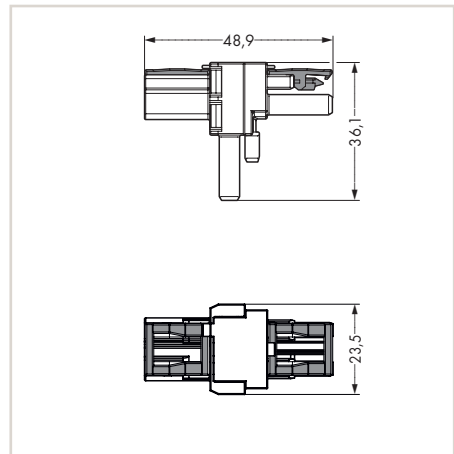
3



Dimensions (in mm):



Dimensions (in mm):



Linect® T-connector, socket – plug, for DALI applications, white housing, blue cover, for lighting connectors 294-8032

Color	Item No.	Pack. Unit
● blue	770-7102	20

T-distribution connector, 1 x plug/2 x socket

Color	Item No.	Pack. Unit
● black	770-1606	50
○ white	770-1656	50

Linect® T-connector, socket – plug, for DALI applications, white housing, dark gray cover, for lighting connectors 294-8022

Color	Item No.	Pack. Unit
● dark gray	770-7502	20

T-distribution connector, 1 x plug/2 x socket for "flying leads," with 3rd locking lever

Color	Item No.	Pack. Unit
● black	770-1615	50
○ white	770-1665	50

- 770 Series Accessories, see page 343
- Approvals, see www.wago.com
- Coding Overview, see page 360

Coding	Marking	Color
A	L N	● black
A	L N	○ white
I	DA+ DA-	● blue
L	L' N'	● dark gray

WINSTA® MIDI

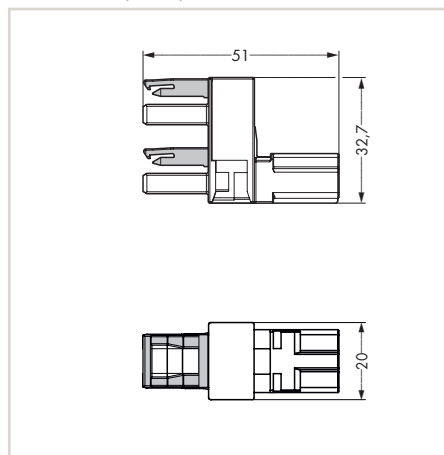
h-Distribution Connectors, 2-Pole

770 Series

Rated voltage	250 V
Rated current	25 A



Dimensions (in mm):



h-distribution connector, unidirectional,
plug/socket – socket

Color	Item No.	Pack. Unit
● black	770-1634	50
○ white	770-1684	50

h-distribution connector, unidirectional,
plug/socket – socket,
for "flying leads,"
with 3rd locking lever

Color	Item No.	Pack. Unit
● black	770-1636	50
○ white	770-1686	50

Coding	Marking	Color
A	L N	● black
A	L N	○ white

WINSTA® MIDI

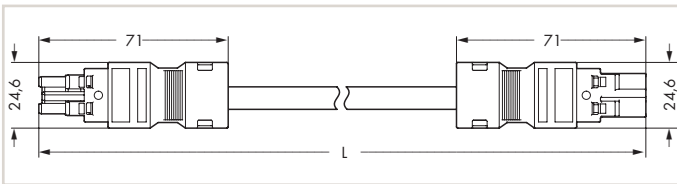
Cable Assemblies, 2 x 1.5 mm², PVC

771 Series

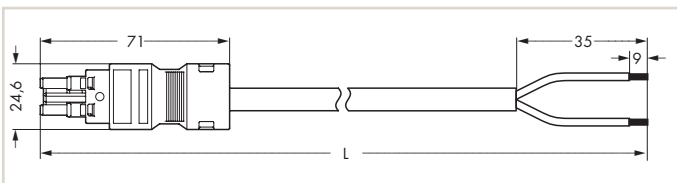
3



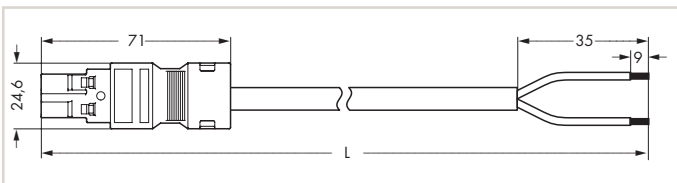
Dimensions (in mm):



Dimensions (in mm):



Dimensions (in mm):



Rated voltage	250 V
Rated current	16 A
Strip length	9 mm / 0.35 inch
Conductor preparation	tip-bonded

Interconnecting cable, socket – plug, PVC, A-coding			
Length	● black	○ white	Pack. Unit
1 m	771-8992/006-101	771-8992/006-102	1
2 m	771-8992/006-201	771-8992/006-202	1
3 m	771-8992/006-301	771-8992/006-302	1
4 m	771-8992/006-401	771-8992/006-402	1
5 m	771-8992/006-501	771-8992/006-502	1
6 m	771-8992/006-601	771-8992/006-602	1
7 m	771-8992/006-701	771-8992/006-702	1
8 m	771-8992/006-801	771-8992/006-802	1

Connecting cable, socket – free end, PVC, A-coding			
Length	● black	○ white	Pack. Unit
1 m	771-8992/106-101	771-8992/106-102	1
2 m	771-8992/106-201	771-8992/106-202	1
3 m	771-8992/106-301	771-8992/106-302	1
4 m	771-8992/106-401	771-8992/106-402	1
5 m	771-8992/106-501	771-8992/106-502	1
6 m	771-8992/106-601	771-8992/106-602	1
7 m	771-8992/106-701	771-8992/106-702	1
8 m	771-8992/106-801	771-8992/106-802	1

Connecting cable, plug – free end, PVC, A-coding			
Length	● black	○ white	Pack. Unit
1 m	771-8992/206-101	771-8992/206-102	1
2 m	771-8992/206-201	771-8992/206-202	1
3 m	771-8992/206-301	771-8992/206-302	1
4 m	771-8992/206-401	771-8992/206-402	1
5 m	771-8992/206-501	771-8992/206-502	1
6 m	771-8992/206-601	771-8992/206-602	1
7 m	771-8992/206-701	771-8992/206-702	1
8 m	771-8992/206-801	771-8992/206-802	1

Additional cable lengths available upon request.

Marine approvals (GL, LR, NV) relate exclusively to cables approved for marine applications.

771 Series Accessories, see page 343

Approvals, see www.wago.com

Codings, see page 360

Coding	Marking	Color
A	L N	● black
A	L N	○ white

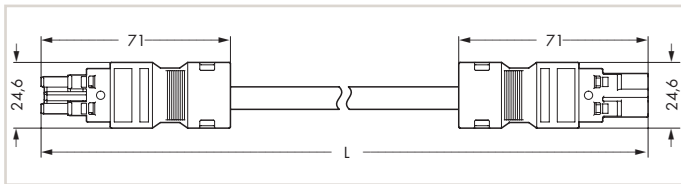
WINSTA® MIDI

Cable Assemblies, 2 x 1.5 mm², Halogen-Free

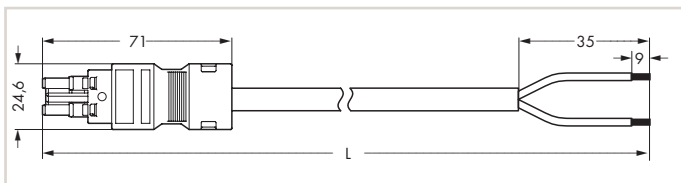
771 Series



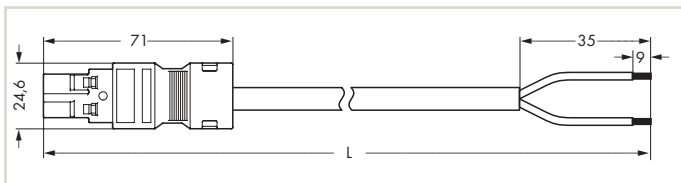
Dimensions (in mm):



Dimensions (in mm):



Dimensions (in mm):



Rated voltage	250 V
Rated current	16 A
Strip length	9 mm / 0.35 inch
Conductor preparation	tip-bonded

Interconnecting cable,
socket – plug, halogen-free, A-coding

Length	Color		Pack. Unit
	● black	○ white	
1 m	771-8992/016-101	771-8992/016-102	1
2 m	771-8992/016-201	771-8992/016-202	1
3 m	771-8992/016-301	771-8992/016-302	1
4 m	771-8992/016-401	771-8992/016-402	1
5 m	771-8992/016-501	771-8992/016-502	1
6 m	771-8992/016-601	771-8992/016-602	1
7 m	771-8992/016-701	771-8992/016-702	1
8 m	771-8992/016-801	771-8992/016-802	1

Connecting cable,
socket – free end, halogen-free, A-coding

Length	Color		Pack. Unit
	● black	○ white	
1 m	771-8992/116-101	771-8992/116-102	1
2 m	771-8992/116-201	771-8992/116-202	1
3 m	771-8992/116-301	771-8992/116-302	1
4 m	771-8992/116-401	771-8992/116-402	1
5 m	771-8992/116-501	771-8992/116-502	1
6 m	771-8992/116-601	771-8992/116-602	1
7 m	771-8992/116-701	771-8992/116-702	1
8 m	771-8992/116-801	771-8992/116-802	1

Connecting cable,
plug – free end, halogen-free, A-coding

Length	Color		Pack. Unit
	● black	○ white	
1 m	771-8992/216-101	771-8992/216-102	1
2 m	771-8992/216-201	771-8992/216-202	1
3 m	771-8992/216-301	771-8992/216-302	1
4 m	771-8992/216-401	771-8992/216-402	1
5 m	771-8992/216-501	771-8992/216-502	1
6 m	771-8992/216-601	771-8992/216-602	1
7 m	771-8992/216-701	771-8992/216-702	1
8 m	771-8992/216-801	771-8992/216-802	1

Coding	Marking	Color
A	L N	● black
A	L N	○ white

WINSTA® MIDI

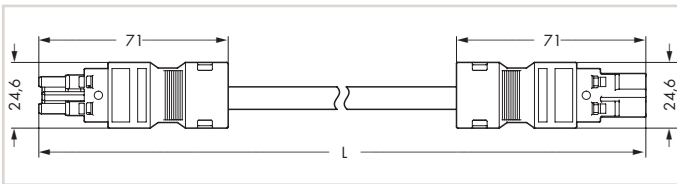
Cable Assemblies, 2 x 1.5 mm², PVC

771 Series

3



Dimensions (in mm):

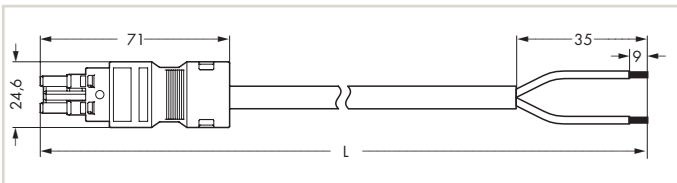


Rated voltage	250 V
Rated current	16 A
Strip length	9 mm / 0.35 inch
Conductor preparation	tip-bonded

Interconnecting cable, socket – plug, for dimming functions (e.g., DALI), PVC, I-coding			
Length	● black	○ white	Pack. Unit
1 m	771-8982/006-101	771-8982/006-102	1
2 m	771-8982/006-201	771-8982/006-202	1
3 m	771-8982/006-301	771-8982/006-302	1
4 m	771-8982/006-401	771-8982/006-402	1
5 m	771-8982/006-501	771-8982/006-502	1
6 m	771-8982/006-601	771-8982/006-602	1
7 m	771-8982/006-701	771-8982/006-702	1
8 m	771-8982/006-801	771-8982/006-802	1



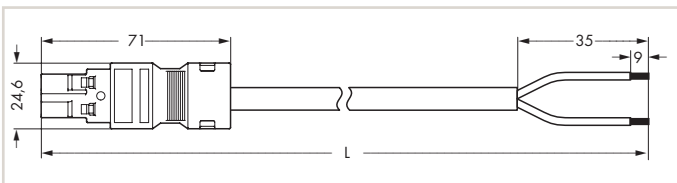
Dimensions (in mm):



Connecting cable, socket – free end, for dimming functions (e.g., DALI), PVC, I-coding			
Length	● black	○ white	Pack. Unit
1 m	771-8982/106-101	771-8982/106-102	1
2 m	771-8982/106-201	771-8982/106-202	1
3 m	771-8982/106-301	771-8982/106-302	1
4 m	771-8982/106-401	771-8982/106-402	1
5 m	771-8982/106-501	771-8982/106-502	1
6 m	771-8982/106-601	771-8982/106-602	1
7 m	771-8982/106-701	771-8982/106-702	1
8 m	771-8982/106-801	771-8982/106-802	1



Dimensions (in mm):



Connecting cable, plug – free end, for dimming functions (e.g., DALI), PVC, I-coding			
Length	● black	○ white	Pack. Unit
1 m	771-8982/206-101	771-8982/206-102	1
2 m	771-8982/206-201	771-8982/206-202	1
3 m	771-8982/206-301	771-8982/206-302	1
4 m	771-8982/206-401	771-8982/206-402	1
5 m	771-8982/206-501	771-8982/206-502	1
6 m	771-8982/206-601	771-8982/206-602	1
7 m	771-8982/206-701	771-8982/206-702	1
8 m	771-8982/206-801	771-8982/206-802	1

Additional cable lengths available upon request.

Marine approvals (GL, LR, NV) relate exclusively to cables approved for marine applications.

771 Series Accessories, see page 343

Approvals, see www.wago.com

Codings, see page 360

Coding	Marking	Color
I	DA+ DA-	● blue

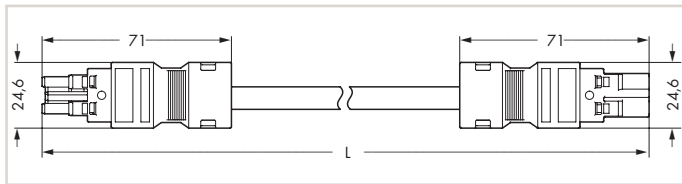
WINSTA® MIDI

Cable Assemblies, 2 x 1.5 mm², Halogen-Free

771 Series



Dimensions (in mm):



Rated voltage	250 V
Rated current	16 A
Strip length	9 mm / 0.35 inch
Conductor preparation	tip-bonded

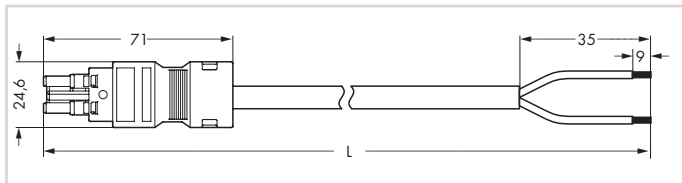
Interconnecting cable, socket – plug, for dimming functions (e.g., DALI), halogen-free, I-coding

Length	● black	○ white	Pack. Unit
1 m	771-8982/016-101	771-8982/016-102	1
2 m	771-8982/016-201	771-8982/016-202	1
3 m	771-8982/016-301	771-8982/016-302	1
4 m	771-8982/016-401	771-8982/016-402	1
5 m	771-8982/016-501	771-8982/016-502	1
6 m	771-8982/016-601	771-8982/016-602	1
7 m	771-8982/016-701	771-8982/016-702	1
8 m	771-8982/016-801	771-8982/016-802	1

3



Dimensions (in mm):

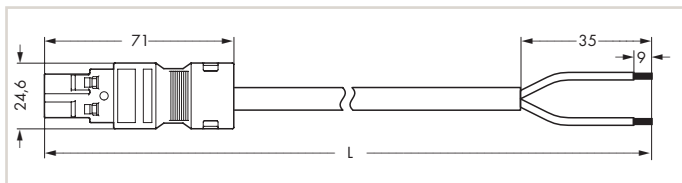


Connecting cable, socket – free end, for dimming functions (e.g., DALI), halogen-free, I-coding

Length	● black	○ white	Pack. Unit
1 m	771-8982/116-101	771-8982/116-102	1
2 m	771-8982/116-201	771-8982/116-202	1
3 m	771-8982/116-301	771-8982/116-302	1
4 m	771-8982/116-401	771-8982/116-402	1
5 m	771-8982/116-501	771-8982/116-502	1
6 m	771-8982/116-601	771-8982/116-602	1
7 m	771-8982/116-701	771-8982/116-702	1
8 m	771-8982/116-801	771-8982/116-802	1



Dimensions (in mm):



Connecting cable, plug – free end, for dimming functions (e.g., DALI), halogen-free, I-coding

Length	● black	○ white	Pack. Unit
1 m	771-8982/216-101	771-8982/216-102	1
2 m	771-8982/216-201	771-8982/216-202	1
3 m	771-8982/216-301	771-8982/216-302	1
4 m	771-8982/216-401	771-8982/216-402	1
5 m	771-8982/216-501	771-8982/216-502	1
6 m	771-8982/216-601	771-8982/216-602	1
7 m	771-8982/216-701	771-8982/216-702	1
8 m	771-8982/216-801	771-8982/216-802	1

Coding	Marking	Color
I	DA+ DA-	● blue

WINSTA® MIDI

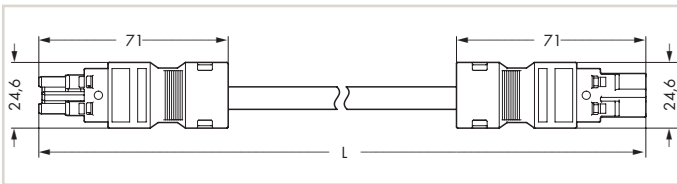
Cable Assemblies, 2 x 1.5 mm², PVC

771 Series

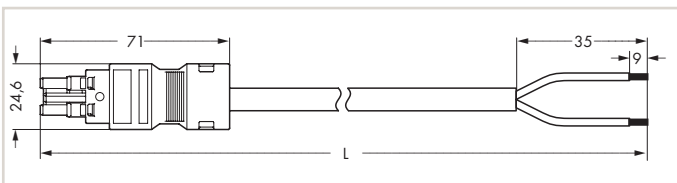
3



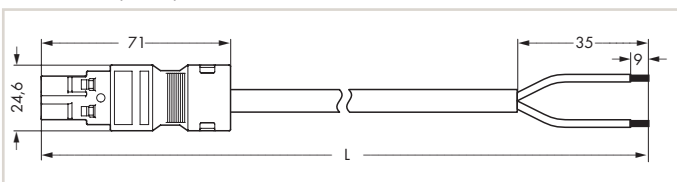
Dimensions (in mm):



Dimensions (in mm):



Dimensions (in mm):



Rated voltage	250 V
Rated current	16 A
Strip length	9 mm / 0.35 inch
Conductor preparation	tip-bonded

Interconnecting cable, socket – plug, PVC, L-coding			
Length	● black	○ white	Pack. Unit
1 m	771-8982/006-103	771-8982/006-104	1
2 m	771-8982/006-203	771-8982/006-204	1
3 m	771-8982/006-303	771-8982/006-304	1
4 m	771-8982/006-403	771-8982/006-404	1
5 m	771-8982/006-503	771-8982/006-504	1
6 m	771-8982/006-603	771-8982/006-604	1
7 m	771-8982/006-703	771-8982/006-704	1
8 m	771-8982/006-803	771-8982/006-804	1

Connecting cable, socket – free end, PVC, L-coding			
Length	● black	○ white	Pack. Unit
1 m	771-8982/106-103	771-8982/106-104	1
2 m	771-8982/106-203	771-8982/106-204	1
3 m	771-8982/106-303	771-8982/106-304	1
4 m	771-8982/106-403	771-8982/106-404	1
5 m	771-8982/106-503	771-8982/106-504	1
6 m	771-8982/106-603	771-8982/106-604	1
7 m	771-8982/106-703	771-8982/106-704	1
8 m	771-8982/106-803	771-8982/106-804	1

Connecting cable, plug – free end, PVC, L-coding			
Length	● black	○ white	Pack. Unit
1 m	771-8982/206-103	771-8982/206-104	1
2 m	771-8982/206-203	771-8982/206-204	1
3 m	771-8982/206-303	771-8982/206-304	1
4 m	771-8982/206-403	771-8982/206-404	1
5 m	771-8982/206-503	771-8982/206-504	1
6 m	771-8982/206-603	771-8982/206-604	1
7 m	771-8982/206-703	771-8982/206-704	1
8 m	771-8982/206-803	771-8982/206-804	1

Additional cable lengths available upon request.

Marine approvals (GL, LR, NV) relate exclusively to cables approved for marine applications.

771 Series Accessories, see page 343

Approvals, see www.wago.com

Codings, see page 360

Coding	Marking	Color
L	L' N'	● dark gray

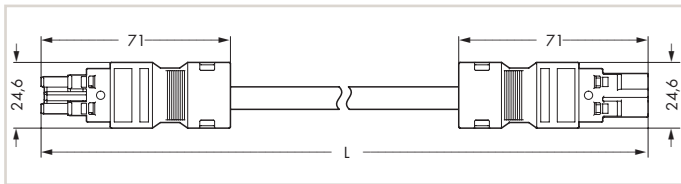
WINSTA® MIDI

Cable Assemblies, 2 x 1.5 mm², Halogen-Free

771 Series



Dimensions (in mm):

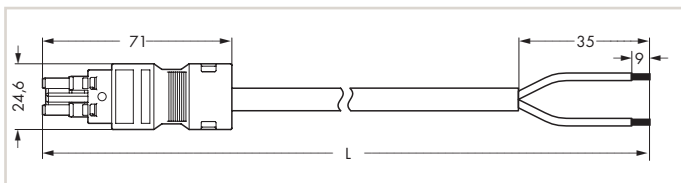


Rated voltage	250 V
Rated current	16 A
Strip length	9 mm / 0.35 inch
Conductor preparation	tip-bonded

Interconnecting cable, socket – plug, halogen-free, L-coding			
Length	● black	○ white	Pack. Unit
1 m	771-8982/016-103	771-8982/016-104	1
2 m	771-8982/016-203	771-8982/016-204	1
3 m	771-8982/016-303	771-8982/016-304	1
4 m	771-8982/016-403	771-8982/016-404	1
5 m	771-8982/016-503	771-8982/016-504	1
6 m	771-8982/016-603	771-8982/016-604	1
7 m	771-8982/016-703	771-8982/016-704	1
8 m	771-8982/016-803	771-8982/016-804	1



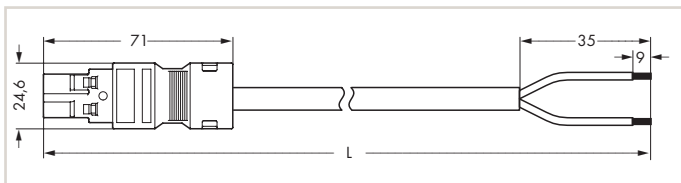
Dimensions (in mm):



Connecting cable, socket – free end, halogen-free, L-coding			
Length	● black	○ white	Pack. Unit
1 m	771-8982/116-103	771-8982/116-104	1
2 m	771-8982/116-203	771-8982/116-204	1
3 m	771-8982/116-303	771-8982/116-304	1
4 m	771-8982/116-403	771-8982/116-404	1
5 m	771-8982/116-503	771-8982/116-504	1
6 m	771-8982/116-603	771-8982/116-604	1
7 m	771-8982/116-703	771-8982/116-704	1
8 m	771-8982/116-803	771-8982/116-804	1



Dimensions (in mm):



Connecting cable, plug – free end, halogen-free, L-coding			
Length	● black	○ white	Pack. Unit
1 m	771-8982/216-103	771-8982/216-104	1
2 m	771-8982/216-203	771-8982/216-204	1
3 m	771-8982/216-303	771-8982/216-304	1
4 m	771-8982/216-403	771-8982/216-404	1
5 m	771-8982/216-503	771-8982/216-504	1
6 m	771-8982/216-603	771-8982/216-604	1
7 m	771-8982/216-703	771-8982/216-704	1
8 m	771-8982/216-803	771-8982/216-804	1

Coding	Marking	Color
L	L' N'	● dark gray

WINSTA® MIDI

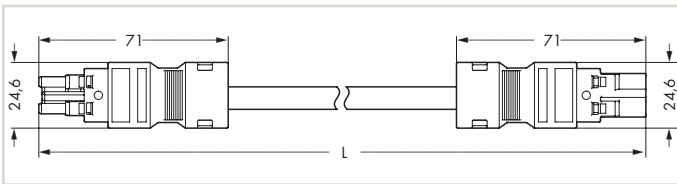
Cable Assemblies, 2 x 2.5 mm², PVC

771 Series

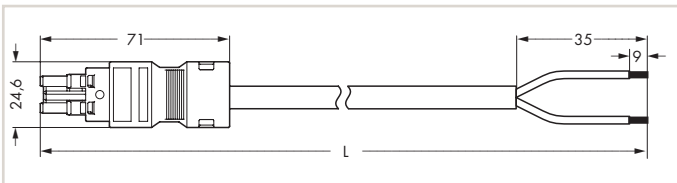
3



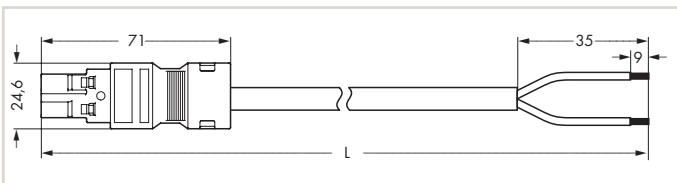
Dimensions (in mm):



Dimensions (in mm):



Dimensions (in mm):



Rated voltage	250 V
Rated current	20 A
Strip length	9 mm / 0.35 inch
Conductor preparation	tip-bonded

Interconnecting cable, socket – plug, PVC, A-coding			
Length	● black	○ white	Pack. Unit
1 m	771-8992/007-101	771-8992/007-102	1
2 m	771-8992/007-201	771-8992/007-202	1
3 m	771-8992/007-301	771-8992/007-302	1
4 m	771-8992/007-401	771-8992/007-402	1
5 m	771-8992/007-501	771-8992/007-502	1
6 m	771-8992/007-601	771-8992/007-602	1
7 m	771-8992/007-701	771-8992/007-702	1
8 m	771-8992/007-801	771-8992/007-802	1

Connecting cable, socket – free end, PVC, A-coding			
Length	● black	○ white	Pack. Unit
1 m	771-8992/107-101	771-8992/107-102	1
2 m	771-8992/107-201	771-8992/107-202	1
3 m	771-8992/107-301	771-8992/107-302	1
4 m	771-8992/107-401	771-8992/107-402	1
5 m	771-8992/107-501	771-8992/107-502	1
6 m	771-8992/107-601	771-8992/107-602	1
7 m	771-8992/107-701	771-8992/107-702	1
8 m	771-8992/107-801	771-8992/107-802	1

Connecting cable, plug – free end, PVC, A-coding			
Length	● black	○ white	Pack. Unit
1 m	771-8992/207-101	771-8992/207-102	1
2 m	771-8992/207-201	771-8992/207-202	1
3 m	771-8992/207-301	771-8992/207-302	1
4 m	771-8992/207-401	771-8992/207-402	1
5 m	771-8992/207-501	771-8992/207-502	1
6 m	771-8992/207-601	771-8992/207-602	1
7 m	771-8992/207-701	771-8992/207-702	1
8 m	771-8992/207-801	771-8992/207-802	1

Additional cable lengths available upon request.

Marine approvals (GL, LR, NV) relate exclusively to cables approved for marine applications.

771 Series Accessories, see page 343

Approvals, see www.wago.com

Codings, see page 360

Coding	Marking	Color
A	L N	● black
A	L N	○ white

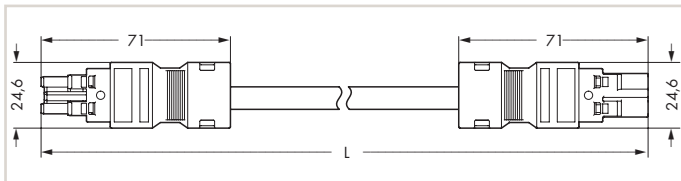
WINSTA® MIDI

Cable Assemblies, 2 x 2.5 mm², Halogen-Free

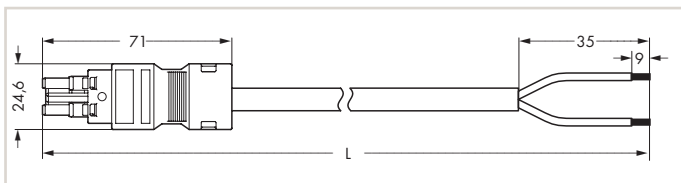
771 Series



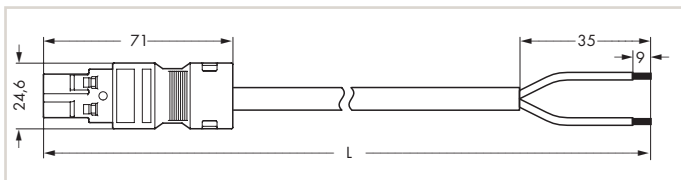
Dimensions (in mm):



Dimensions (in mm):



Dimensions (in mm):



Rated voltage	250 V
Rated current	20 A
Strip length	9 mm / 0.35 inch
Conductor preparation	tip-bonded

Interconnecting cable,
socket – plug, halogen-free, A-coding

Length	Color		Pack. Unit
	● black	○ white	
1 m	771-8992/017-101	771-8992/017-102	1
2 m	771-8992/017-201	771-8992/017-202	1
3 m	771-8992/017-301	771-8992/017-302	1
4 m	771-8992/017-401	771-8992/017-402	1
5 m	771-8992/017-501	771-8992/017-502	1
6 m	771-8992/017-601	771-8992/017-602	1
7 m	771-8992/017-701	771-8992/017-702	1
8 m	771-8992/017-801	771-8992/017-802	1

Connecting cable,
socket – free end, halogen-free, A-coding

Length	Color		Pack. Unit
	● black	○ white	
1 m	771-8992/117-101	771-8992/117-102	1
2 m	771-8992/117-201	771-8992/117-202	1
3 m	771-8992/117-301	771-8992/117-302	1
4 m	771-8992/117-401	771-8992/117-402	1
5 m	771-8992/117-501	771-8992/117-502	1
6 m	771-8992/117-601	771-8992/117-602	1
7 m	771-8992/117-701	771-8992/117-702	1
8 m	771-8992/117-801	771-8992/117-802	1

Connecting cable,
plug – free end, halogen-free, A-coding

Length	Color		Pack. Unit
	● black	○ white	
1 m	771-8992/217-101	771-8992/217-102	1
2 m	771-8992/217-201	771-8992/217-202	1
3 m	771-8992/217-301	771-8992/217-302	1
4 m	771-8992/217-401	771-8992/217-402	1
5 m	771-8992/217-501	771-8992/217-502	1
6 m	771-8992/217-601	771-8992/217-602	1
7 m	771-8992/217-701	771-8992/217-702	1
8 m	771-8992/217-801	771-8992/217-802	1

Coding	Marking	Color
A	L N	● black
A	L N	○ white

WINSTA® MIDI

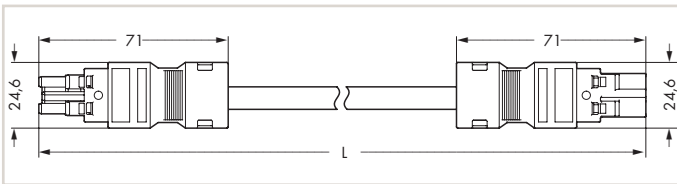
Cable Assemblies, 2 x 2.5 mm², PVC

771 Series

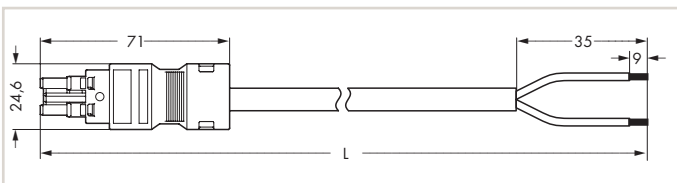
3



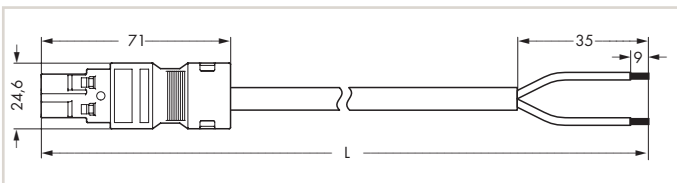
Dimensions (in mm):



Dimensions (in mm):



Dimensions (in mm):



Rated voltage	250 V
Rated current	20 A
Strip length	9 mm / 0.35 inch
Conductor preparation	tip-bonded

Interconnecting cable, socket – plug, PVC, L-coding			
Length	● black	○ white	Pack. Unit
1 m	771-8982/007-103	771-8982/007-104	1
2 m	771-8982/007-203	771-8982/007-204	1
3 m	771-8982/007-303	771-8982/007-304	1
4 m	771-8982/007-403	771-8982/007-404	1
5 m	771-8982/007-503	771-8982/007-504	1
6 m	771-8982/007-603	771-8982/007-604	1
7 m	771-8982/007-703	771-8982/007-704	1
8 m	771-8982/007-803	771-8982/007-804	1

Connecting cable, socket – free end, PVC, L-coding			
Length	● black	○ white	Pack. Unit
1 m	771-8982/107-103	771-8982/107-104	1
2 m	771-8982/107-203	771-8982/107-204	1
3 m	771-8982/107-303	771-8982/107-304	1
4 m	771-8982/107-403	771-8982/107-404	1
5 m	771-8982/107-503	771-8982/107-504	1
6 m	771-8982/107-603	771-8982/107-604	1
7 m	771-8982/107-703	771-8982/107-704	1
8 m	771-8982/107-803	771-8982/107-804	1

Connecting cable, plug – free end, PVC, L-coding			
Length	● black	○ white	Pack. Unit
1 m	771-8982/207-103	771-8982/207-104	1
2 m	771-8982/207-203	771-8982/207-204	1
3 m	771-8982/207-303	771-8982/207-304	1
4 m	771-8982/207-403	771-8982/207-404	1
5 m	771-8982/207-503	771-8982/207-504	1
6 m	771-8982/207-603	771-8982/207-604	1
7 m	771-8982/207-703	771-8982/207-704	1
8 m	771-8982/207-803	771-8982/207-804	1

Additional cable lengths available upon request.

Marine approvals (GL, LR, NV) relate exclusively to cables approved for marine applications.

771 Series Accessories, see page 343

Approvals, see www.wago.com

Codings, see page 360

Coding	Marking	Color
L	L' N'	● dark gray

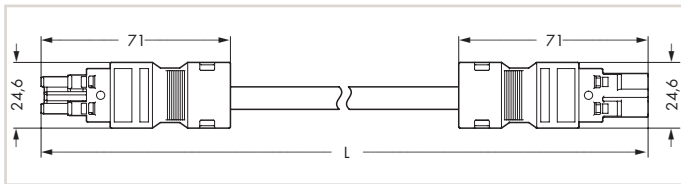
WINSTA® MIDI

Cable Assemblies, 2 x 2.5 mm², Halogen-Free

771 Series



Dimensions (in mm):

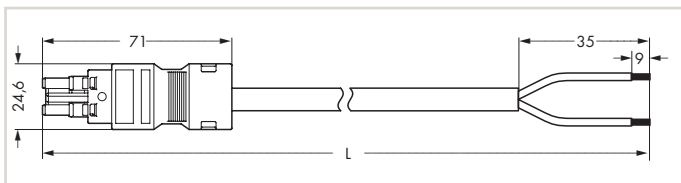


Rated voltage	250 V
Rated current	20 A
Strip length	9 mm / 0.35 inch
Conductor preparation	tip-bonded

Interconnecting cable, socket – plug, halogen-free, L-coding			
Length	● black	○ white	Pack. Unit
1 m	771-8982/017-103	771-8982/017-104	1
2 m	771-8982/017-203	771-8982/017-204	1
3 m	771-8982/017-303	771-8982/017-304	1
4 m	771-8982/017-403	771-8982/017-404	1
5 m	771-8982/017-503	771-8982/017-504	1
6 m	771-8982/017-603	771-8982/017-604	1
7 m	771-8982/017-703	771-8982/017-704	1
8 m	771-8982/017-803	771-8982/017-804	1



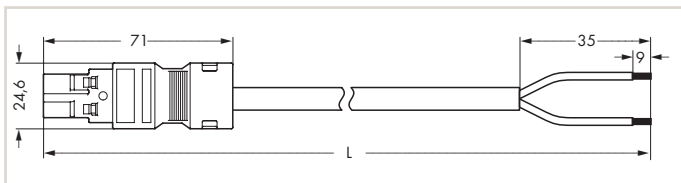
Dimensions (in mm):



Connecting cable, socket – free end, halogen-free, L-coding			
Length	● black	○ white	Pack. Unit
1 m	771-8982/117-103	771-8982/117-104	1
2 m	771-8982/117-203	771-8982/117-204	1
3 m	771-8982/117-303	771-8982/117-304	1
4 m	771-8982/117-403	771-8982/117-404	1
5 m	771-8982/117-503	771-8982/117-504	1
6 m	771-8982/117-603	771-8982/117-604	1
7 m	771-8982/117-703	771-8982/117-704	1
8 m	771-8982/117-803	771-8982/117-804	1



Dimensions (in mm):



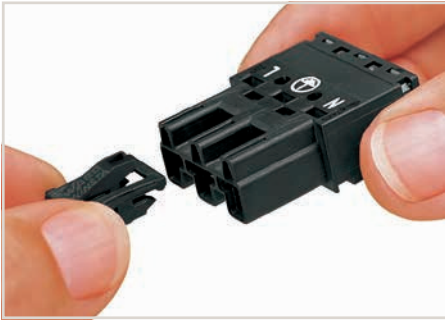
Connecting cable, plug – free end, halogen-free, L-coding			
Length	● black	○ white	Pack. Unit
1 m	771-8982/217-103	771-8982/217-104	1
2 m	771-8982/217-203	771-8982/217-204	1
3 m	771-8982/217-303	771-8982/217-304	1
4 m	771-8982/217-403	771-8982/217-404	1
5 m	771-8982/217-503	771-8982/217-504	1
6 m	771-8982/217-603	771-8982/217-604	1
7 m	771-8982/217-703	771-8982/217-704	1
8 m	771-8982/217-803	771-8982/217-804	1

Coding	Marking	Color
L	L' N'	● dark gray

WINSTA® MIDI

Sockets and Plugs, 3-Pole

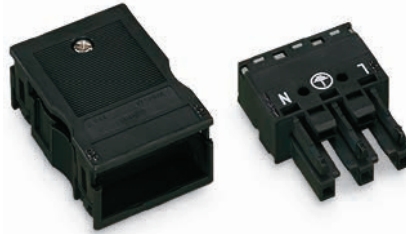
770 Series



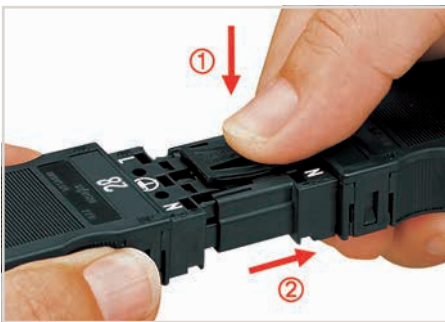
Snap on locking lever. Observe direction!

Conductor range	0.5 ... 4 mm ² / 20 ... 12 AWG
Rated voltage	250 V
Rated current	25 A
Strip length	9 mm / 0.35 inch

Conductor range	0.5 ... 4 mm ² / 20 ... 12 AWG
Rated voltage	250 V
Rated current	25 A
Strip length	9 mm / 0.35 inch



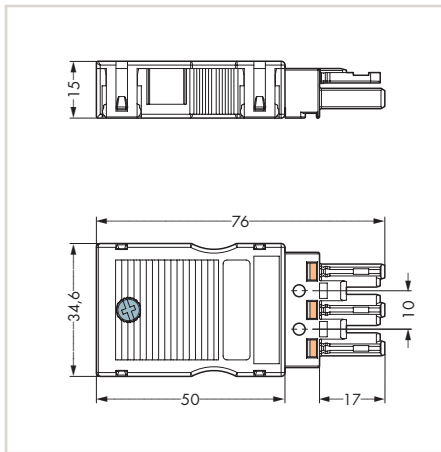
3



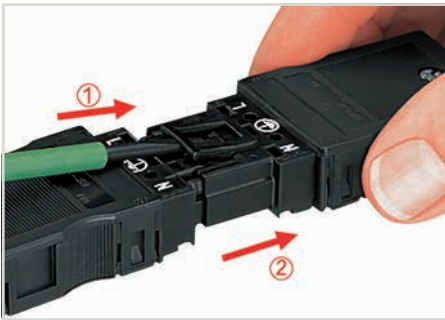
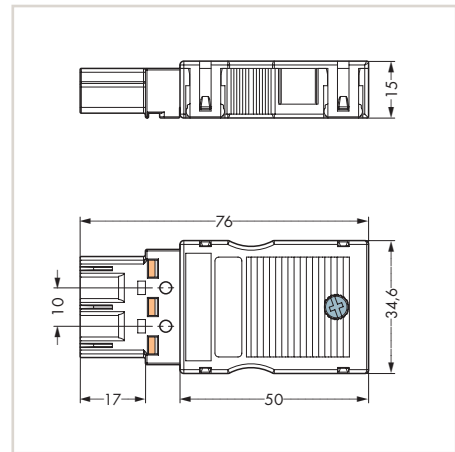
Locking lever, manually operated:

- Push on locking lever.
- Pull apart the connectors.

Dimensions (in mm):



Dimensions (in mm):



Locking lever, tool operated:

- Unlatch locking lever.
- Pull apart the connectors.

Socket, with strain relief housing, for two cables, 8 ... 11.5 mm cable diameter, 55 mm strip length

Color	Item No.	Pack. Unit
● black	770-103	25
○ white	770-123	25

Plug, with strain relief housing, for two cables, 8 ... 11.5 mm cable diameter, 55 mm strip length

Color	Item No.	Pack. Unit
● black	770-113	25
○ white	770-133	25

Socket, with strain relief housing, for quick assembly, for one cable, 7 ... 11.5 mm cable diameter, 55 mm strip length

Color	Item No.	Pack. Unit
● black	770-103/035-000	25
○ white	770-123/035-000	25

Plug, with strain relief housing, for quick assembly, for one cable, 7 ... 11.5 mm cable diameter, 55 mm strip length

Color	Item No.	Pack. Unit
● black	770-113/035-000	25
○ white	770-133/035-000	25

Note:

All connectors for fixed installations (snap-in versions for lighting fixtures or devices, all types of PCB and distribution connectors) are factory-equipped with locking levers to ensure plugs and sockets are securely locked. Additional locking levers are only required for "flying leads" (plug/socket).

770 Series Accessories, see page 343

Approvals, see www.wago.com

Coding Overview, see page 360

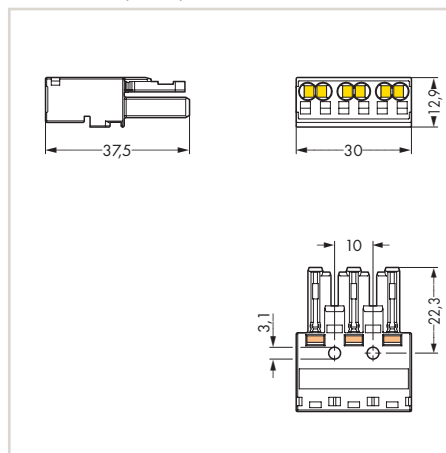
Coding	Marking	Color
A	L ⊕ N	● black
A	L ⊕ N	○ white

Conductor range	0.5 ... 4 mm ² / 20 ... 12 AWG
Rated voltage	250 V
Rated current	25 A
Strip length	9 mm / 0.35 inch

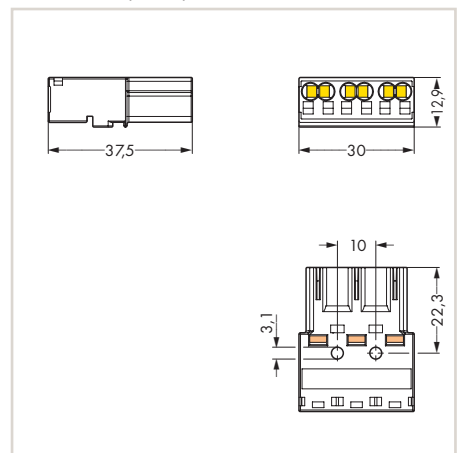


3

Dimensions (in mm):



Dimensions (in mm):



Socket, without strain relief housing

Color	Item No.	Pack. Unit
● black	770-203	100
○ white	770-223	100
● red	770-1303	100
● orange	770-1343	100
● brown	770-1363	100

Plug, without strain relief housing

Color	Item No.	Pack. Unit
● black	770-213	50
○ white	770-233	50
● red	770-1313	100
● orange	770-1353	100
● brown	770-1373	100

Coding	Marking	Color
A	L ⊕ N	● black
A	L ⊕ N	○ white
I	L ⊕ N	● red
L	LON LON S	● orange
P	1 2 L	● brown

WINSTA® MIDI

Strain Relief Housings for Different Cable Diameters, 3-Pole 770 Series

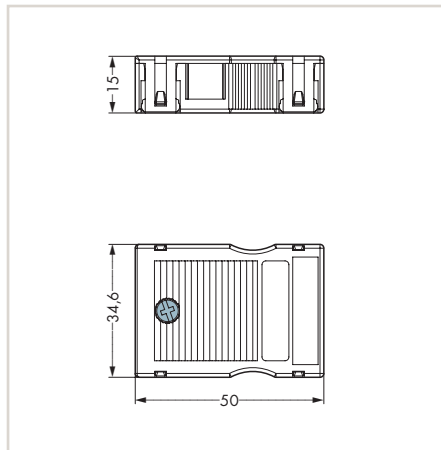


Snap-on type strain relief housings for:

- 3-pole sockets
- 3-pole plugs



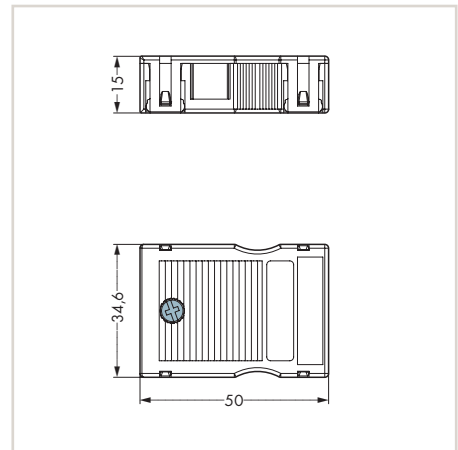
Dimensions (in mm):



Strain relief housing, for two cables, for 4.5 ... 8 mm cable diameter, 55 mm strip length

Color	Item No.	Pack. Unit
black	770-503/023-000	50
white	770-513/023-000	50

Dimensions (in mm):



Strain relief housing, for two cables, for 8 ... 11.5 mm cable diameter, 55 mm strip length

Color	Item No.	Pack. Unit
black	770-503	50
white	770-513	50

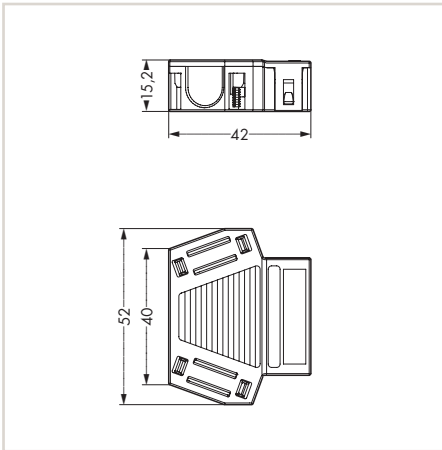
All strain relief housings are suitable for H05VV and NYM cables.
Other cables available upon request.

Marking strips, see page 357

Approvals, see www.wago.com



Dimensions (in mm):

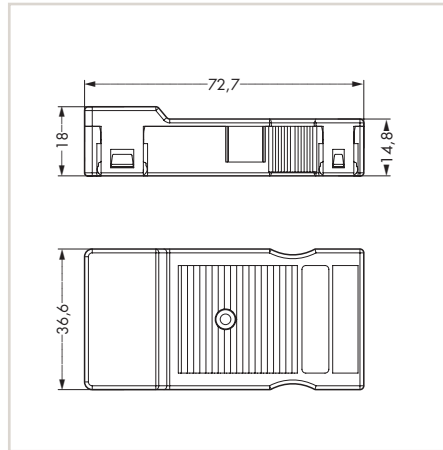


Strain relief housing, angled, for two cables, for 8 ... 11.5 mm cable diameter, 55 mm strip length

Color	Item No.	Pack. Unit
black	770-503/032-000	25
white	770-513/032-000	25

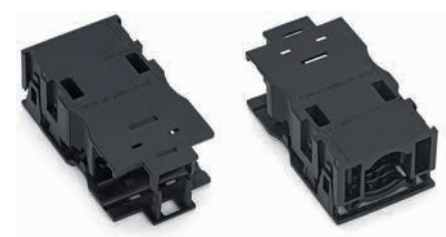


Dimensions (in mm):

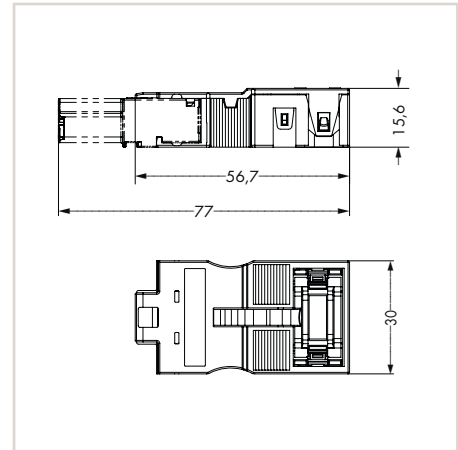


Strain relief housing, for 4 mm² cables, for one cable, 9 ... 13 mm cable diameter, 71 mm strip length

Color	Item No.	Pack. Unit
black	770-503/021-000	50
white	770-513/021-000	50



Dimensions (in mm):



Strain relief housing, for quick assembly, for one cable, 7 ... 11.5 mm cable diameter, 48 mm strip length

Color	Item No.	Pack. Unit
black	770-503/035-000	50
white	770-513/035-000	50

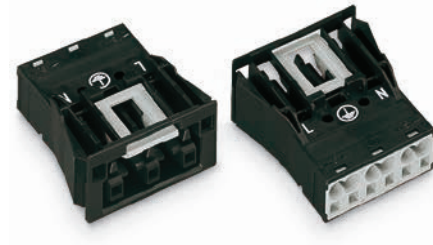
WINSTA® MIDI

Snap-In Sockets and Plugs, 3-Pole

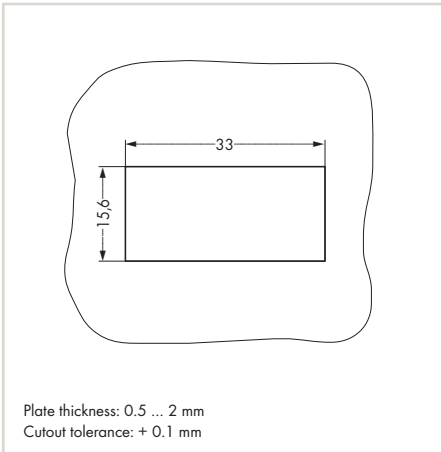
770 Series

3

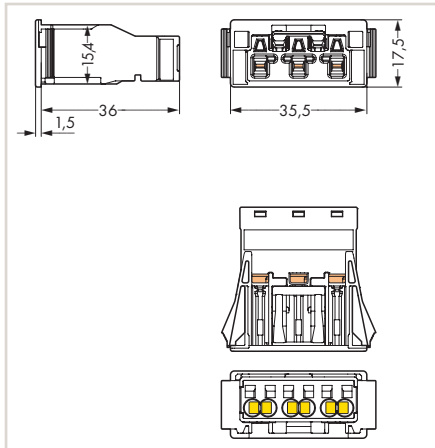
Conductor range	0.5 ... 4 mm ² / 20 ... 12 AWG
Rated voltage	250 V
Rated current	25 A
Strip length	9 mm / 0.35 inch



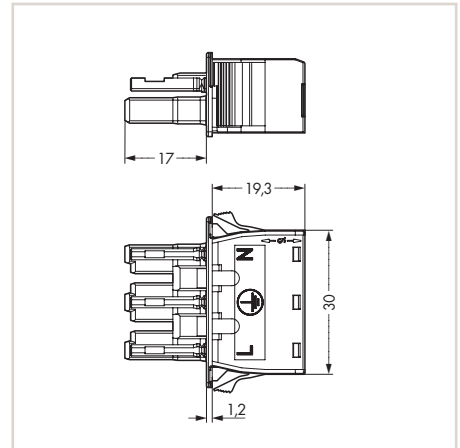
Dimensions (in mm):



Dimensions (in mm):



Dimensions (in mm):



Socket		
Color	Item No.	Pack. Unit
● black	770-703	100
○ white	770-723	100
● red	770-2303	100
● orange	770-2343	100
● brown	770-2363	100

Socket, with protruding interface		
Color	Item No.	Pack. Unit
● black	770-703/009-000	45
○ white	770-723/009-000	45

770 Series Accessories, see page 343

Approvals, see www.wago.com

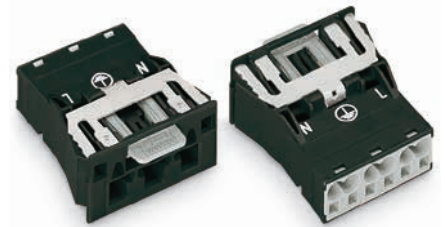
Coding Overview, see page 360

Coding	Marking	Color
A	L ⊕ N	● black
A	L ⊕ N	○ white
P	L ⊕ N	● red
R	LON LON S	● orange
S	1 2 L	● brown



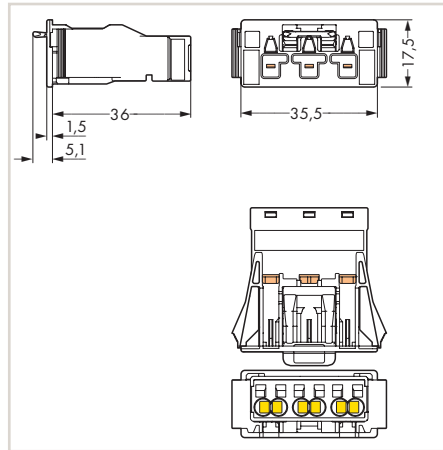
Varnish-piercing direct ground contact (pictures shows a 4-pole connector)

Conductor range	0.5 ... 4 mm ² / 20 ... 12 AWG
Rated voltage	250 V
Rated current	25 A
Strip length	9 mm / 0.35 inch

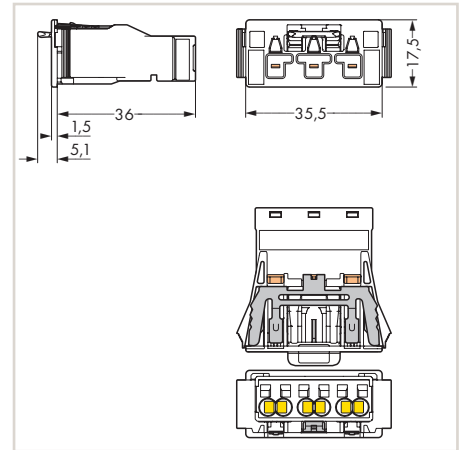


3

Dimensions (in mm):



Dimensions (in mm):



Plug		
Color	Item No.	Pack. Unit
● black	770-713	100
○ white	770-733	100
● red	770-2313	100
● orange	770-2353	100

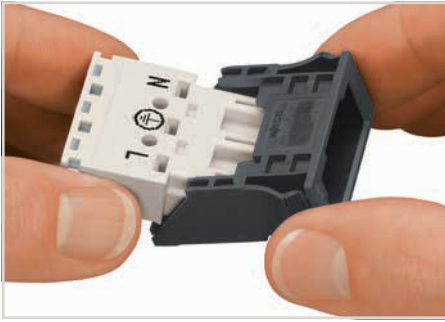
Plug, with direct ground contact		
Color	Item No.	Pack. Unit
● black	770-713/007-000	100
○ white	770-733/007-000	100
● blue	770-2313/007-000	100

Coding	Marking	Color
A	L ⊕ N	● black
A	L ⊕ N	○ white
P	L ⊕ N	● red
R	LON LON S	● orange

WINSTA® MIDI

Snap-In Frames, 3-Pole

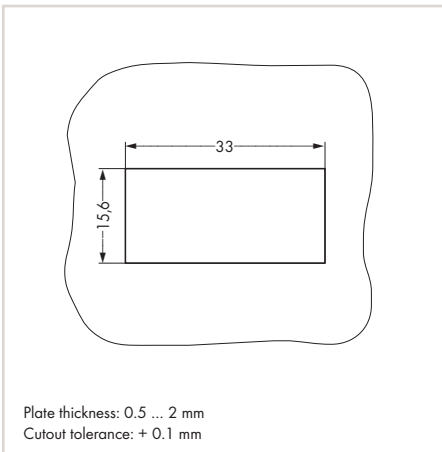
770 Series



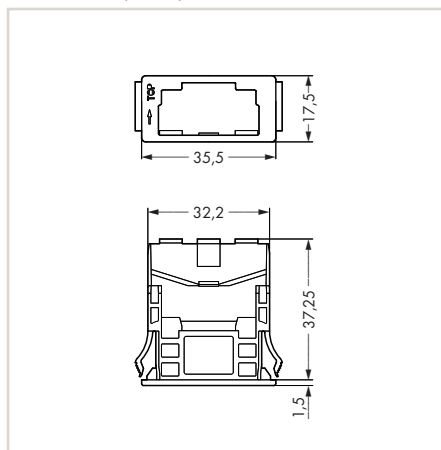
3 Insert the socket or plug into the frame (observe the "TOP" marking on the frame!), then snap the assembled unit into the cutout.



Dimensions (in mm):





Dimensions (in mm):



Snap-in frame,
for 1 ... 3 mm plate thickness

Color	Item No.	Pack. Unit
black	770-318	100
white	770-338	100

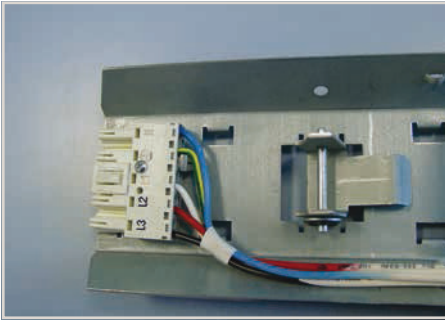
 770 Series Accessories,
see page 343

 Approvals,
see www.wago.com

WINSTA® MIDI

Plugs with Ground Contact, 3-Pole

770 Series

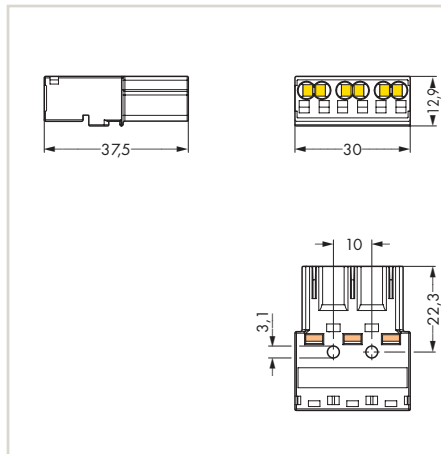


Plug with ground contact mounted on luminaire (picture shows a 3-pole plug).

Conductor range	0.5 ... 4 mm ² / 20 ... 12 AWG
Rated voltage	250 V
Rated current	25 A
Strip length	9 mm / 0.35 inch



Dimensions (in mm):



Plug, with direct ground contact, without strain relief housing, e.g., for assembly on luminaire casings

Color	Item No.	Pack. Unit
● black	770-213/002-000	25
○ white	770-233/002-000	25

770 Series Accessories, see page 343

Approvals, see www.wago.com

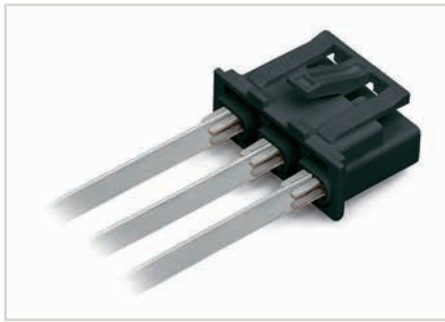
Coding Overview, see page 360

Coding	Marking	Color
A	L ⊕ N	● black
A	L ⊕ N	○ white

WINSTA® MIDI

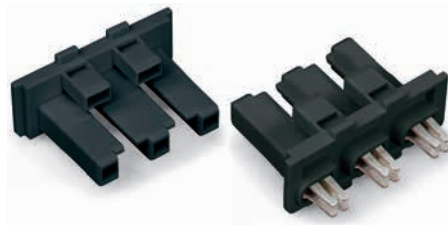
Device Connectors, 3-Pole

770 Series



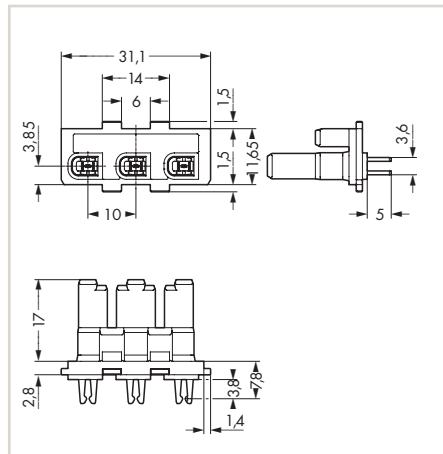
Device connectors can be cost-effectively installed in appropriate guide slots of a housing. Internal electrical connection is performed by contacting the 0.8 mm thick current bars.

Rated voltage	250 V
Rated current	25 A

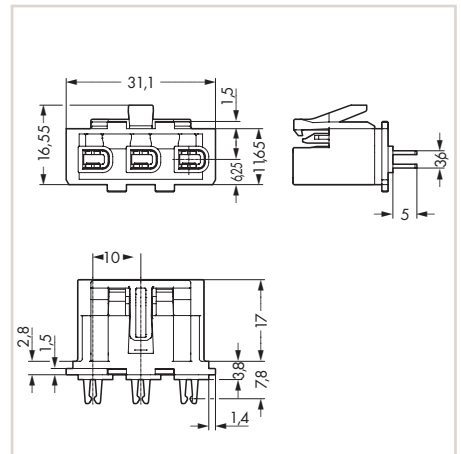


3

Dimensions (in mm):



Dimensions (in mm):



Socket module

Color	Item No.	Pack. Unit
● black	770-408	100
○ white	770-428	100

Plug module, with locking lever

Color	Item No.	Pack. Unit
● black	770-418	100
○ white	770-438	100

Coding	Marking	Color
A	L ⊕ N	● black
A	L ⊕ N	○ white

WINSTA® MIDI

Pluggable PCB Connectors, 3-Pole

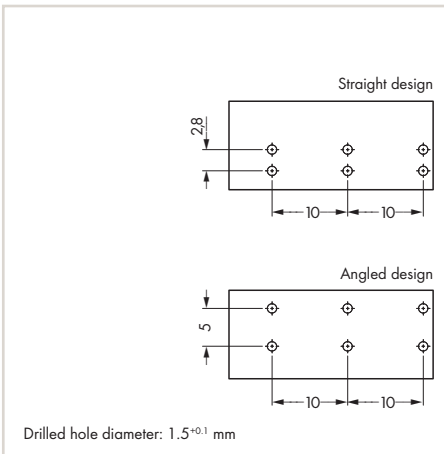
770 Series

Rated voltage	250 V
Rated current	25 A

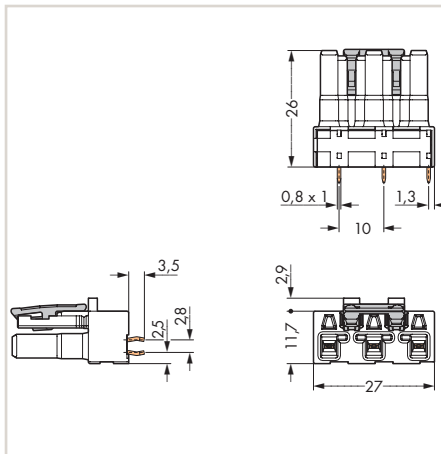
3



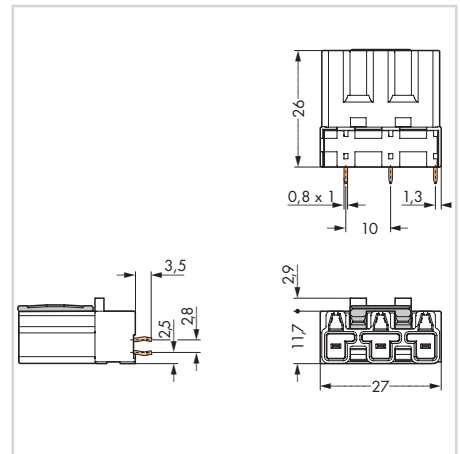
Dimensions (in mm):



Dimensions (in mm):



Dimensions (in mm):



Socket, straight		
Color	Item No.	Pack. Unit
● black	770-803	100
○ white	770-823	100

Plug, straight		
Color	Item No.	Pack. Unit
● black	770-813	100
○ white	770-833	100

770 Series Accessories, see page 343

Approvals, see www.wago.com

Coding Overview, see page 360

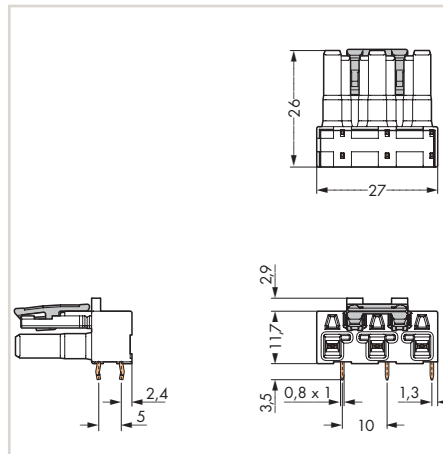
Coding	Marking	Color
A	L ⊕ N	● black
A	L ⊕ N	○ white

Rated voltage	250 V
Rated current	25 A

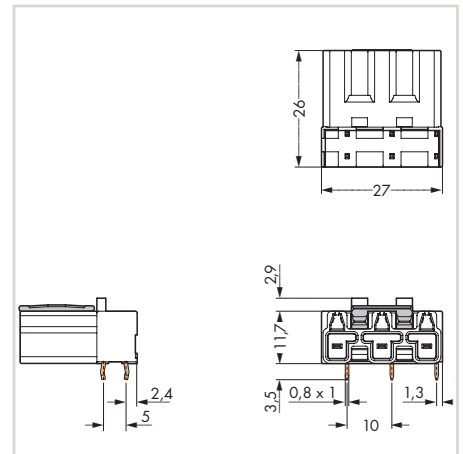


3

Dimensions (in mm):



Dimensions (in mm):



Socket, angled

Color	Item No.	Pack. Unit
● black	770-803/011-000	100
○ white	770-823/011-000	100

Plug, angled

Color	Item No.	Pack. Unit
● black	770-813/011-000	100
○ white	770-833/011-000	100

Coding	Marking	Color
A	L ⊕ N	● black
A	L ⊕ N	○ white

WINSTA® MIDI

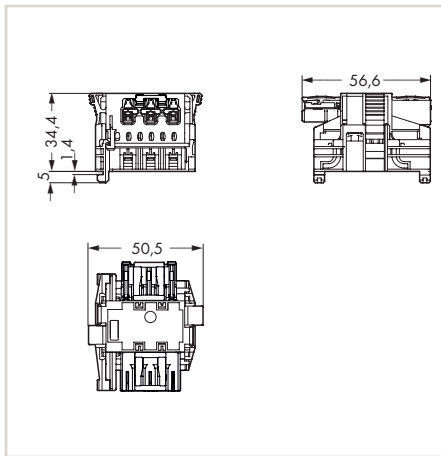
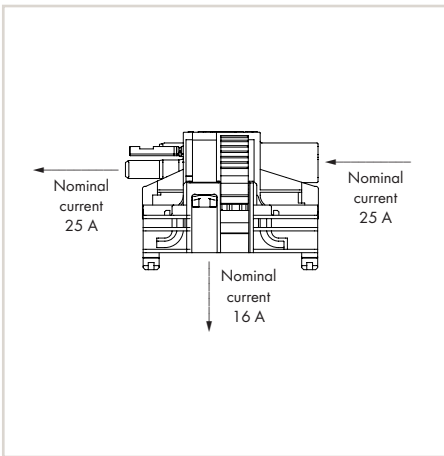
Linect® T-Distribution Connectors and T-Connectors, 3-Pole 770 Series

Rated voltage	250 V
Rated current	25 A

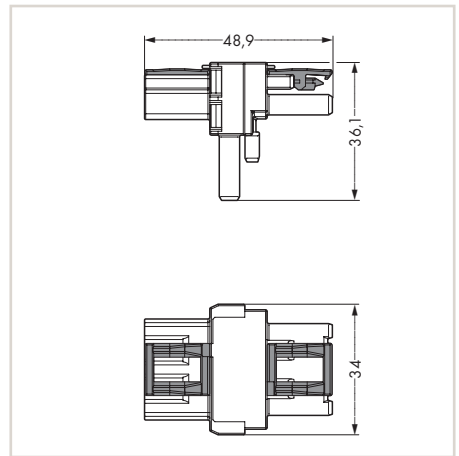
3



Dimensions (in mm):



Dimensions (in mm):



Linect® T-connector,
socket – plug,
white housing, white cover,
for lighting connectors
294-8013 and 294-8113

Color	Item No.	Pack. Unit
○ white	770-6223	25

T-distribution connector,
1 x plug/2 x socket

Color	Item No.	Pack. Unit
● black	770-606	50
○ white	770-656	50
● red	770-667	50

T-distribution connector,
1 x plug/2 x socket,
for "flying leads,"
with 3rd locking lever

Color	Item No.	Pack. Unit
● black	770-615	50
○ white	770-665	50
● red	770-670	50

770 Series Accessories,
see page 343

Approvals,
see www.wago.com

Coding Overview,
see page 360

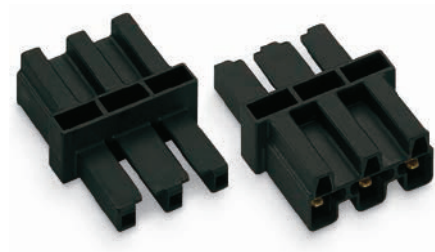
Coding	Marking	Color
A	L ⊕ N	● black
A	L ⊕ N	○ white
P	L ⊕ N	● red

WINSTA® MIDI

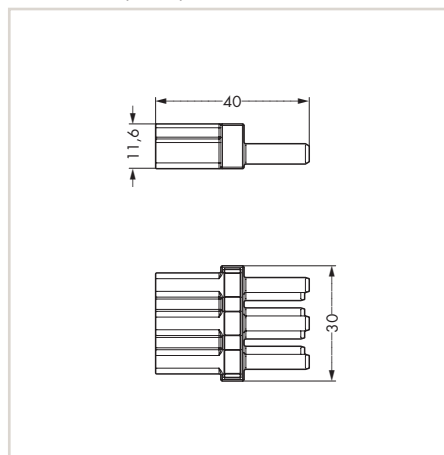
Intermediate Couplers, 3-Pole

770 Series

Rated voltage	250 V
Rated current	25 A



Dimensions (in mm):



Intermediate coupler ,
1 x plug/1 x socket

Color	Item No.	Pack. Unit
● black	770-603	100
○ white	770-653	100

Coding	Marking	Color
A	L ⊕ N	● black
A	L ⊕ N	○ white
P	L ⊕ N	● red

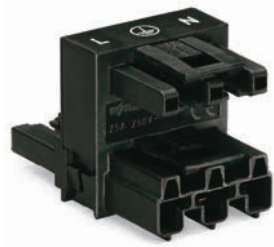
WINSTA® MIDI

h-Distribution Connectors, 3-Pole

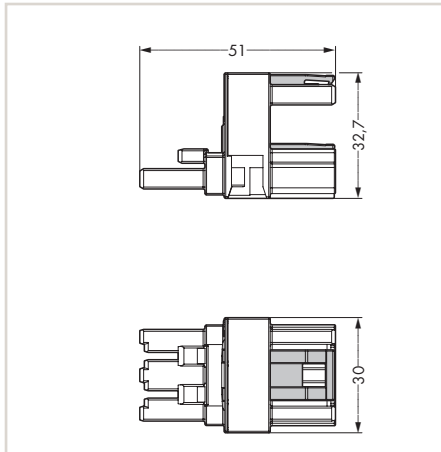
770 Series

3

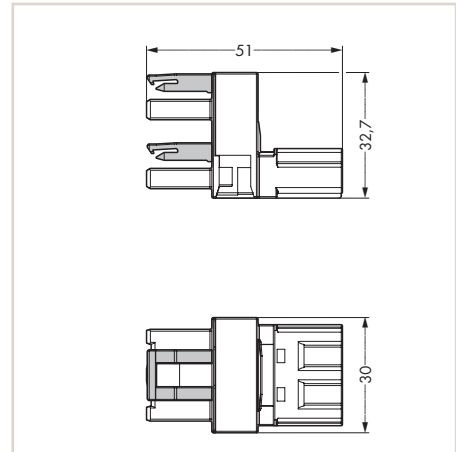
Rated voltage	250 V
Rated current	25 A



Dimensions (in mm):



Dimensions (in mm):



h-distribution connector, bi-directional, plug – socket/socket

Color	Item No.	Pack. Unit
● black	770-633	50
○ white	770-683	50

h-distribution connector, unidirectional, plug/socket – socket

Color	Item No.	Pack. Unit
● black	770-634	50
○ white	770-684	50
● red	770-934	50

h-distribution connector, bi-directional, plug – socket/socket, for "flying leads," with 3rd locking lever

Color	Item No.	Pack. Unit
● black	770-635	50
○ white	770-685	50

h-distribution connector, unidirectional, plug/socket – socket, for "flying leads," with 3rd locking lever

Color	Item No.	Pack. Unit
● black	770-636	50
○ white	770-686	50
● red	770-936	50

770 Series Accessories, see page 343

Approvals, see www.wago.com

Coding Overview, see page 360

Coding	Marking	Color
A	L ⊕ N	● black
A	L ⊕ N	○ white
P	L ⊕ N	● red

WINSTA® MIDI

Distribution Connectors, 3-Pole

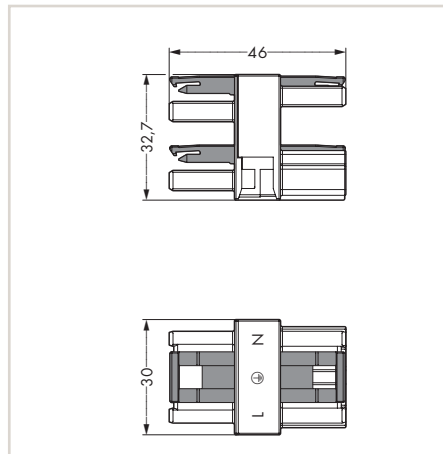
770 Series

Rated voltage	250 V
Rated current	25 A

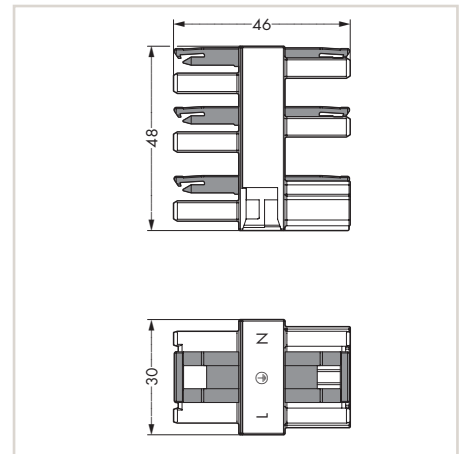


3

Dimensions (in mm):



Dimensions (in mm):



Distribution connector, 3-way,
1 x plug/3 x socket

Color	Item No.	Pack. Unit
● black	770-607	50
○ white	770-657	50
● red	770-907	50

Distribution connector, 5-way,
1 x plug/5 x socket

Color	Item No.	Pack. Unit
● black	770-608	50
○ white	770-658	50

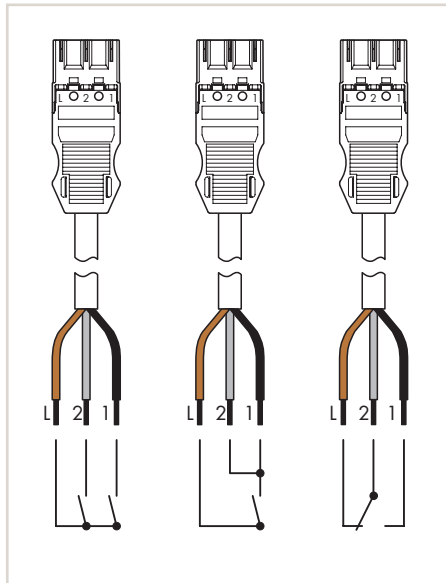
Coding	Marking	Color
A	L ⊕ N	● black
A	L ⊕ N	○ white
P	L ⊕ N	● red

WINSTA® MIDI

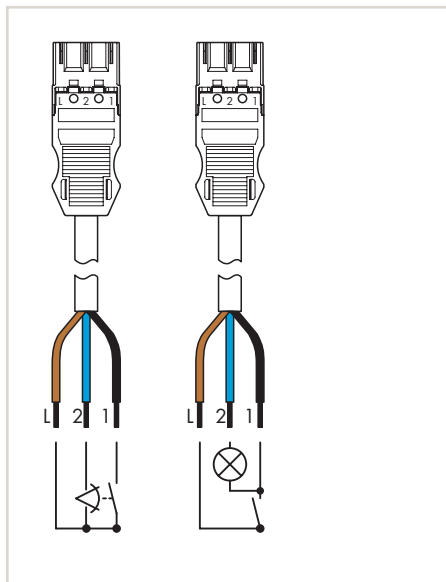
Distribution Connectors, 3-Pole

770 Series

3



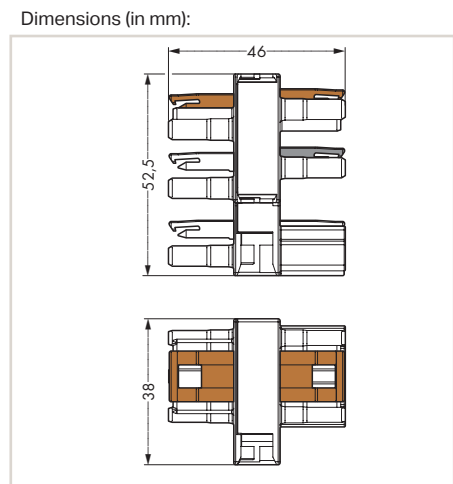
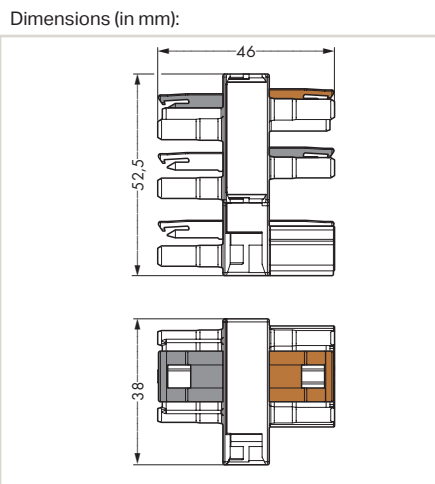
Cable assembly with S-coding for connection to 770-637 and 770-638 Distribution Connectors.



Cable assembly with S-coding for connection to 770-637 Distribution Connector when using 770-113/147-000 Shorting Plug.

Rated voltage	250 V
Rated current	25 A

Rated voltage	250 V
Rated current	25 A

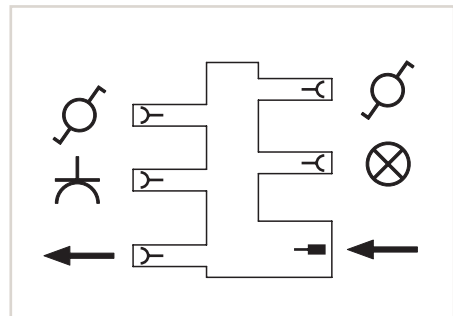
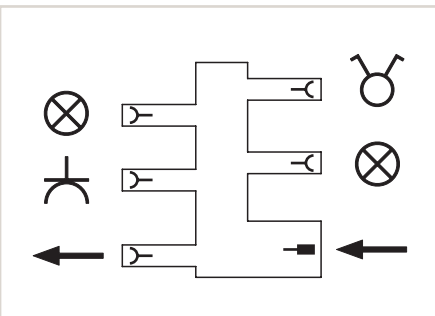


Distribution connector for single-pole switch and series circuits,
 1 x plug, A-coding, black/white LL,
 2 x socket, A-coding, black/white LL,
 2 x socket, A-coding (lighting fixtures), black/white LL,
 1 x socket, S-coding (switch), brown LL

Distribution connector for single-pole switch and two-way circuits,
 1 x plug, A-coding, black/white LL,
 2 x socket, A-coding, black/white LL,
 1 x socket, A-coding (lighting fixtures), black/white LL,
 2 x socket, S-coding (switch), brown LL

Color	Item No.	Pack. Unit
● black	770-637	10
○ white	770-687	10

Color	Item No.	Pack. Unit
● black	770-638	10
○ white	770-688	10



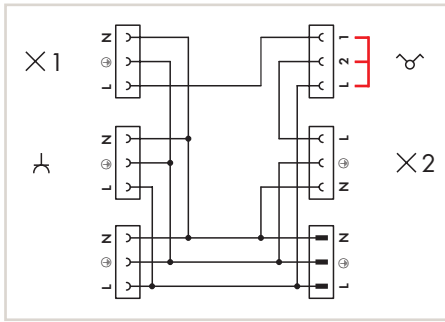
- LL = Locking lever
- 770 Series Accessories, see page 343
- Approvals, see www.wago.com
- Coding Overview, see page 360

Coding	Marking	Color
A	L ⊕ N	● black
A	L ⊕ N	○ white
S		● brown

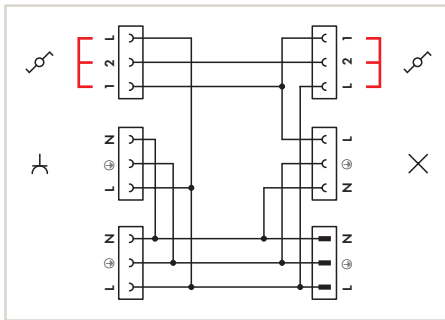
WINSTA® MIDI

Shorting Plugs, 3-Pole

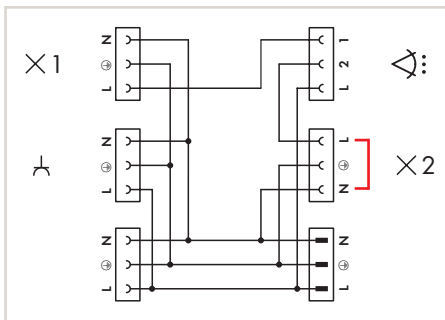
771 Series



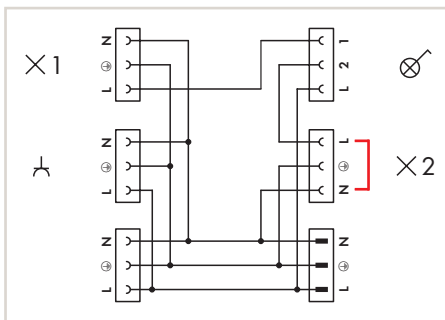
Internal circuit of 770-637 Distribution Connector with possible insertion position of 770-1373/14x-000 Shorting Plug.



Internal circuit of 770-638 Distribution Connector with possible insertion positions of 770-1373/14x-000 Shorting Plug.

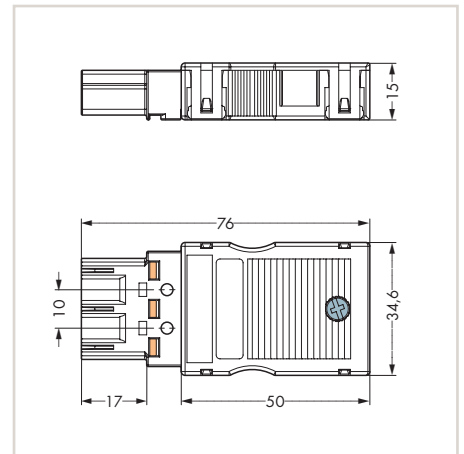
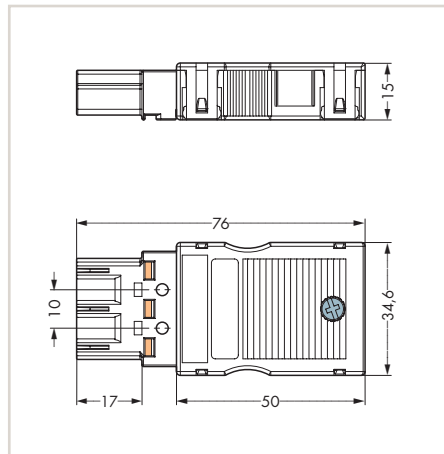


Internal circuit of 770-637 Distribution Connector with insertion position of 770-113/147-000 Shorting Plug for connecting a motion sensor.



Internal circuit of 770-637 Distribution Connector with insertion position of 770-113/147-000 Shorting Plug for connecting a switch with control lamp.

Rated voltage	250 V
Rated current	25 A



Shorting plug, S-coding, brown plug with assembled strain relief housing and bridge

Color/Marking	Item No.	Pack. Unit
	770-1373/146-000	50
	770-1373/147-000	50
	770-1373/148-000	50
	770-1373/149-000	50

Shorting plug, A-coding, black plug with assembled strain relief housing and bridge

Color/Marking	Item No.	Pack. Unit
	770-113/147-000	50

Coding	Marking	Color
A		● black
S		● brown

3

WINSTA® MIDI

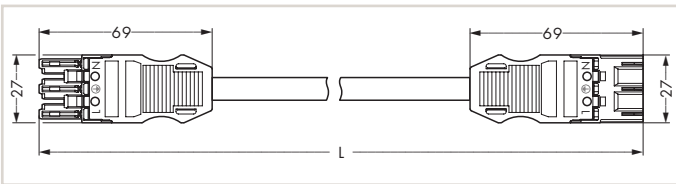
Cable Assemblies, 3 x 1.5 mm², PVC

771 Series

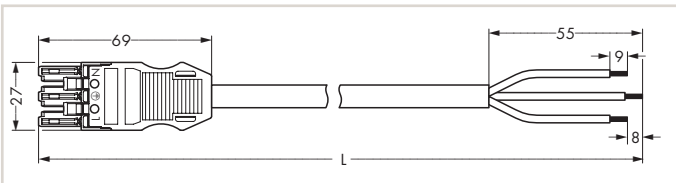
3



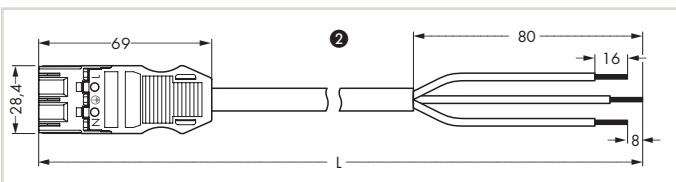
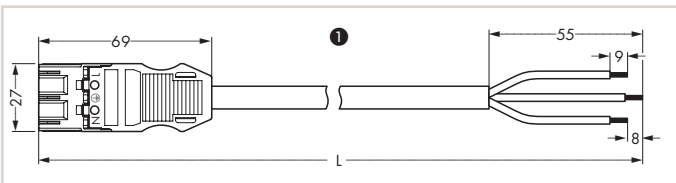
Dimensions (in mm):



Dimensions (in mm):



Dimensions (in mm):



Additional cable lengths available upon request.

Marine approvals (GL, LR, NV) relate exclusively to cables approved for marine applications.

771 Series Accessories, see page 343

Approvals, see www.wago.com

Codings, see page 360

Rated voltage	250 V
Rated current	16 A
Strip length	9 mm / 0.35 inch – 16 mm / 0.63 inch
Conductor preparation	tip-bonded

Interconnecting cable, socket – plug, PVC, A-coding			
Length	● black	○ white	Pack. Unit
1 m	771-9993/006-101	771-9993/006-102	1
2 m	771-9993/006-201	771-9993/006-202	1
3 m	771-9993/006-301	771-9993/006-302	1
4 m	771-9993/006-401	771-9993/006-402	1
5 m	771-9993/006-501	771-9993/006-502	1
6 m	771-9993/006-601	771-9993/006-602	1
7 m	771-9993/006-701	771-9993/006-702	1
8 m	771-9993/006-801	771-9993/006-802	1

Connecting cable, socket – free end, PVC, A-coding			
Length	● black	○ white	Pack. Unit
1 m	771-9993/106-101	771-9993/106-102	1
2 m	771-9993/106-201	771-9993/106-202	1
3 m	771-9993/106-301	771-9993/106-302	1
4 m	771-9993/106-401	771-9993/106-402	1
5 m	771-9993/106-501	771-9993/106-502	1
6 m	771-9993/106-601	771-9993/106-602	1
7 m	771-9993/106-701	771-9993/106-702	1
8 m	771-9993/106-801	771-9993/106-802	1

Connecting cable, plug – free end, PVC, A-coding				
Length	● black ①	○ white ①	● black ②	Pack. Unit
1 m	771-9993/206-101	771-9993/206-102	771-9993/3206-101	1
2 m	771-9993/206-201	771-9993/206-202	771-9993/3206-201	1
3 m	771-9993/206-301	771-9993/206-302	771-9993/3206-301	1
4 m	771-9993/206-401	771-9993/206-402	771-9993/3206-401	1
5 m	771-9993/206-501	771-9993/206-502	771-9993/3206-501	1
6 m	771-9993/206-601	771-9993/206-602	771-9993/3206-601	1
7 m	771-9993/206-701	771-9993/206-702	771-9993/3206-701	1
8 m	771-9993/206-801	771-9993/206-802	771-9993/3206-801	1

Coding	Marking	Color
A	L ⊕ N	● black
A	L ⊕ N	○ white

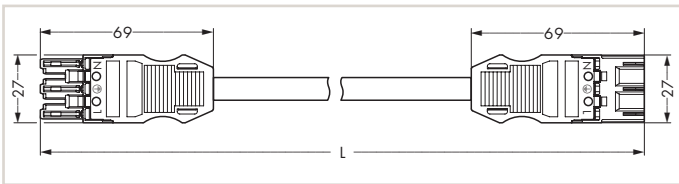
WINSTA® MIDI

Cable Assemblies, 3 x 1.5 mm², Halogen-Free

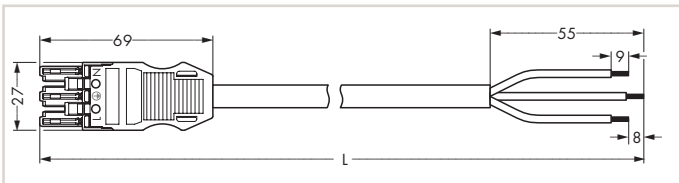
771 Series



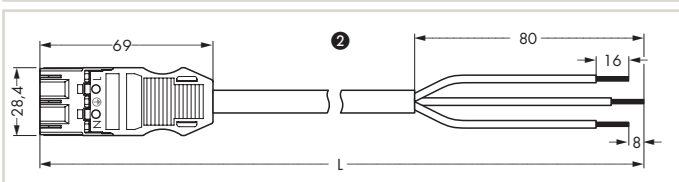
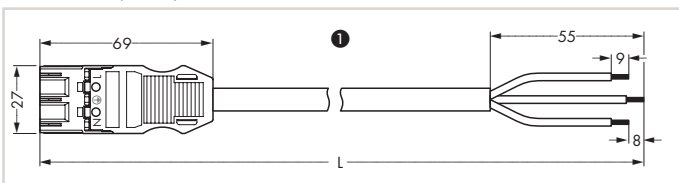
Dimensions (in mm):



Dimensions (in mm):



Dimensions (in mm):



Rated voltage	250 V
Rated current	16 A
Strip length	9 mm / 0.35 inch – 16 mm / 0.63 inch
Conductor preparation	tip-bonded

Interconnecting cable, socket – plug, halogen-free, A-coding			
Length	● black	○ white	Pack. Unit
1 m	771-9993/016-101	771-9993/016-102	1
2 m	771-9993/016-201	771-9993/016-202	1
3 m	771-9993/016-301	771-9993/016-302	1
4 m	771-9993/016-401	771-9993/016-402	1
5 m	771-9993/016-501	771-9993/016-502	1
6 m	771-9993/016-601	771-9993/016-602	1
7 m	771-9993/016-701	771-9993/016-702	1
8 m	771-9993/016-801	771-9993/016-802	1

Connecting cable, socket – free end, halogen-free, A-coding			
Length	● black	○ white	Pack. Unit
1 m	771-9993/116-101	771-9993/116-102	1
2 m	771-9993/116-201	771-9993/116-202	1
3 m	771-9993/116-301	771-9993/116-302	1
4 m	771-9993/116-401	771-9993/116-402	1
5 m	771-9993/116-501	771-9993/116-502	1
6 m	771-9993/116-601	771-9993/116-602	1
7 m	771-9993/116-701	771-9993/116-702	1
8 m	771-9993/116-801	771-9993/116-802	1

Connecting cable, plug – free end, halogen-free, A-coding				
Length	● black ①	○ white ①	● black ②	Pack. Unit
1 m	771-9993/216-101	771-9993/216-102	771-9993/3216-101	1
2 m	771-9993/216-201	771-9993/216-202	771-9993/3216-201	1
3 m	771-9993/216-301	771-9993/216-302	771-9993/3216-301	1
4 m	771-9993/216-401	771-9993/216-402	771-9993/3216-401	1
5 m	771-9993/216-501	771-9993/216-502	771-9993/3216-501	1
6 m	771-9993/216-601	771-9993/216-602	771-9993/3216-601	1
7 m	771-9993/216-701	771-9993/216-702	771-9993/3216-701	1
8 m	771-9993/216-801	771-9993/216-802	771-9993/3216-801	1

Coding	Marking	Color
A	L ⊕ N	● black
A	L ⊕ N	○ white

WINSTA® MIDI

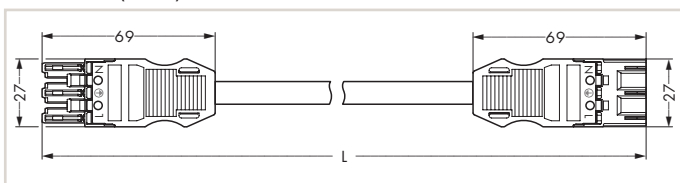
Cable Assemblies, 3 x 1.5 mm², PVC

771 Series

3



Dimensions (in mm):

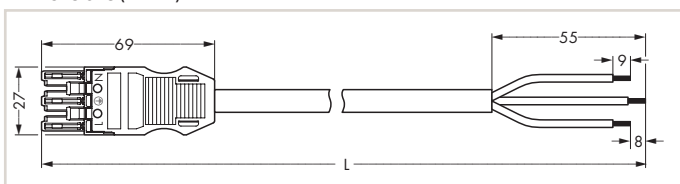


Rated voltage	250 V
Rated current	16 A
Strip length	9 mm / 0.35 inch
Conductor preparation	tip-bonded

Interconnecting cable, socket – plug, PVC, P-coding			
Length	● black	○ white	Pack. Unit
1 m	771-9973/006-101	771-9973/006-102	1
2 m	771-9973/006-201	771-9973/006-202	1
3 m	771-9973/006-301	771-9973/006-302	1
4 m	771-9973/006-401	771-9973/006-402	1
5 m	771-9973/006-501	771-9973/006-502	1
6 m	771-9973/006-601	771-9973/006-602	1
7 m	771-9973/006-701	771-9973/006-702	1
8 m	771-9973/006-801	771-9973/006-802	1



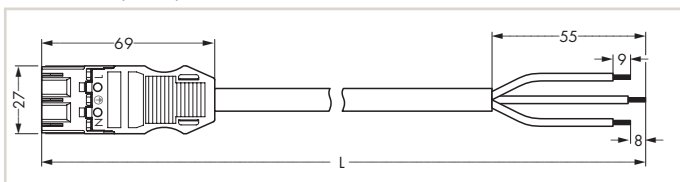
Dimensions (in mm):



Connecting cable, socket – free end, PVC, P-coding			
Length	● black	○ white	Pack. Unit
1 m	771-9973/106-101	771-9973/106-102	1
2 m	771-9973/106-201	771-9973/106-202	1
3 m	771-9973/106-301	771-9973/106-302	1
4 m	771-9973/106-401	771-9973/106-402	1
5 m	771-9973/106-501	771-9973/106-502	1
6 m	771-9973/106-601	771-9973/106-602	1
7 m	771-9973/106-701	771-9973/106-702	1
8 m	771-9973/106-801	771-9973/106-802	1



Dimensions (in mm):



Connecting cable, plug – free end, PVC, P-coding			
Length	● black	○ white	Pack. Unit
1 m	771-9973/206-101	771-9973/206-102	1
2 m	771-9973/206-201	771-9973/206-202	1
3 m	771-9973/206-301	771-9973/206-302	1
4 m	771-9973/206-401	771-9973/206-402	1
5 m	771-9973/206-501	771-9973/206-502	1
6 m	771-9973/206-601	771-9973/206-602	1
7 m	771-9973/206-701	771-9973/206-702	1
8 m	771-9973/206-801	771-9973/206-802	1

Additional cable lengths available upon request.

Marine approvals (GL, LR, NV) relate exclusively to cables approved for marine applications.

771 Series Accessories, see page 343

Approvals, see www.wago.com

Codings, see page 360

Coding
P

Marking
L ⊕ N

Color
● red

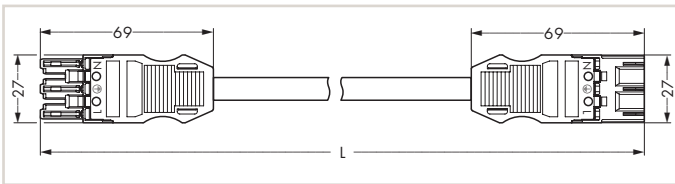
WINSTA® MIDI

Cable Assemblies, 3 x 1.5 mm², Halogen-Free

771 Series



Dimensions (in mm):

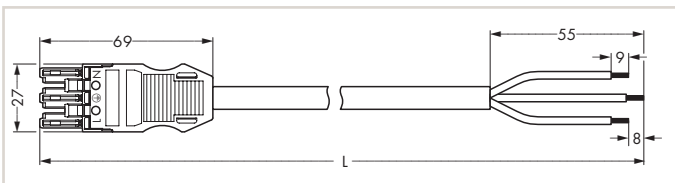


Rated voltage	250 V
Rated current	16 A
Strip length	9 mm / 0.35 inch
Conductor preparation	tip-bonded

Interconnecting cable, socket – plug, halogen-free, P-coding			
Length	● black	○ white	Pack. Unit
1 m	771-9973/016-101	771-9973/016-102	1
2 m	771-9973/016-201	771-9973/016-202	1
3 m	771-9973/016-301	771-9973/016-302	1
4 m	771-9973/016-401	771-9973/016-402	1
5 m	771-9973/016-501	771-9973/016-502	1
6 m	771-9973/016-601	771-9973/016-602	1
7 m	771-9973/016-701	771-9973/016-702	1
8 m	771-9973/016-801	771-9973/016-802	1



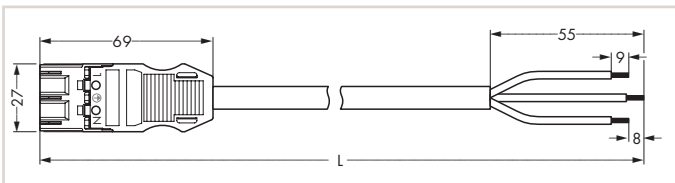
Dimensions (in mm):



Connecting cable, socket – free end, halogen-free, P-coding			
Length	● black	○ white	Pack. Unit
1 m	771-9973/116-101	771-9973/116-102	1
2 m	771-9973/116-201	771-9973/116-202	1
3 m	771-9973/116-301	771-9973/116-302	1
4 m	771-9973/116-401	771-9973/116-402	1
5 m	771-9973/116-501	771-9973/116-502	1
6 m	771-9973/116-601	771-9973/116-602	1
7 m	771-9973/116-701	771-9973/116-702	1
8 m	771-9973/116-801	771-9973/116-802	1



Dimensions (in mm):



Connecting cable, plug – free end, halogen-free, P-coding			
Length	● black	○ white	Pack. Unit
1 m	771-9973/216-101	771-9973/216-102	1
2 m	771-9973/216-201	771-9973/216-202	1
3 m	771-9973/216-301	771-9973/216-302	1
4 m	771-9973/216-401	771-9973/216-402	1
5 m	771-9973/216-501	771-9973/216-502	1
6 m	771-9973/216-601	771-9973/216-602	1
7 m	771-9973/216-701	771-9973/216-702	1
8 m	771-9973/216-801	771-9973/216-802	1

Coding	Marking	Color
P	L ⊕ N	● red

WINSTA® MIDI

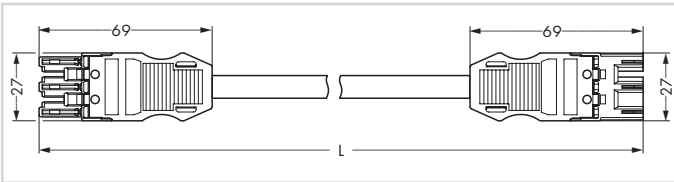
Cable Assemblies, 3 x 1.5 mm², PVC

771 Series

3



Dimensions (in mm):

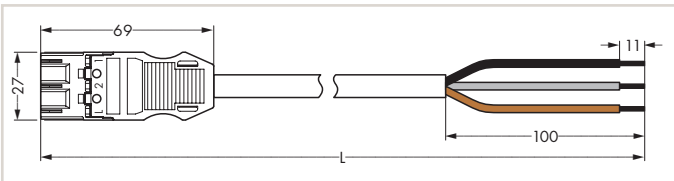


Rated voltage	250 V
Rated current	16 A
Strip length	11 mm / 0.43 inch
Conductor preparation	tip-bonded

Interconnecting cable, socket – plug, PVC, S-coding		
Length	● black	Pack. Unit
1 m	771-9973/006-105	1
2 m	771-9973/006-205	1
3 m	771-9973/006-305	1
4 m	771-9973/006-405	1
5 m	771-9973/006-505	1
6 m	771-9973/006-605	1
7 m	771-9973/006-705	1
8 m	771-9973/006-805	1



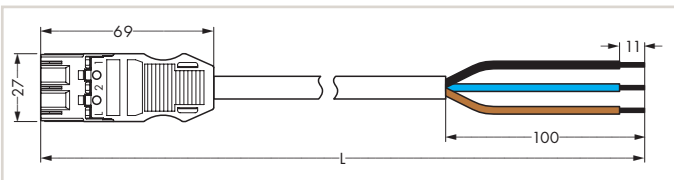
Dimensions (in mm):



Connecting cable, plug – free end, for distribution connector (series and two-way circuits), PVC, S-coding		
Length	● black	Pack. Unit
1 m	771-9973/206-105	1
2 m	771-9973/206-205	1
3 m	771-9973/206-305	1
4 m	771-9973/206-405	1
5 m	771-9973/206-505	1
6 m	771-9973/206-605	1
7 m	771-9973/206-705	1
8 m	771-9973/206-805	1



Dimensions (in mm):



Connecting cable, plug – free end, for distribution connector (motion sensor), PVC, S-coding		
Length	● black	Pack. Unit
1 m	771-9973/206-104	1
2 m	771-9973/206-204	1
3 m	771-9973/206-304	1
4 m	771-9973/206-404	1
5 m	771-9973/206-504	1
6 m	771-9973/206-604	1
7 m	771-9973/206-704	1
8 m	771-9973/206-804	1

Additional cable lengths available upon request.

Marine approvals (GL, LR, NV) relate exclusively to cables approved for marine applications.

771 Series Accessories, see page 343

Approvals, see www.wago.com

Codings, see page 360

Coding	Marking	Color
S	1 2 L	● brown

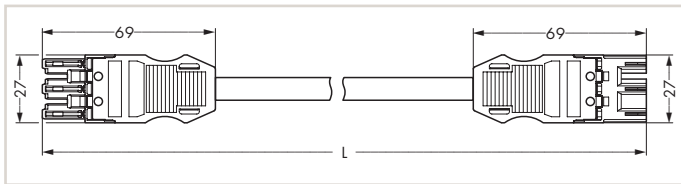
WINSTA® MIDI

Cable Assemblies, 3 x 1.5 mm², Halogen-Free

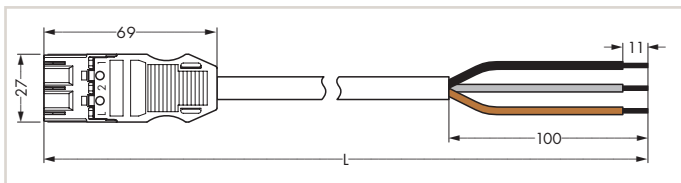
771 Series



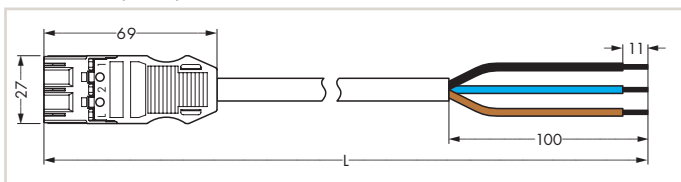
Dimensions (in mm):



Dimensions (in mm):



Dimensions (in mm):



Rated voltage	250 V
Rated current	16 A
Strip length	11 mm / 0.43 inch
Conductor preparation	tip-bonded

Interconnecting cable,
socket – plug, halogen-free, S-coding

Length	● black	Pack. Unit
1 m	771-9973/016-105	1
2 m	771-9973/016-205	1
3 m	771-9973/016-305	1
4 m	771-9973/016-405	1
5 m	771-9973/016-505	1
6 m	771-9973/016-605	1
7 m	771-9973/016-705	1
8 m	771-9973/016-805	1

Connecting cable,
plug – free end,
for distribution connector (series and two-way circuits), halogen-free,
S-coding

Length	● black	Pack. Unit
1 m	771-9973/216-105	1
2 m	771-9973/216-205	1
3 m	771-9973/216-305	1
4 m	771-9973/216-405	1
5 m	771-9973/216-505	1
6 m	771-9973/216-605	1
7 m	771-9973/216-705	1
8 m	771-9973/216-805	1

Connecting cable,
plug – free end,
for distribution connector (motion sensor), halogen-free, S-coding

Length	● black	Pack. Unit
1 m	771-9973/216-104	1
2 m	771-9973/216-204	1
3 m	771-9973/216-304	1
4 m	771-9973/216-404	1
5 m	771-9973/216-504	1
6 m	771-9973/216-604	1
7 m	771-9973/216-704	1
8 m	771-9973/216-804	1

Coding	Marking	Color
S	1 2 L	● brown

WINSTA® MIDI

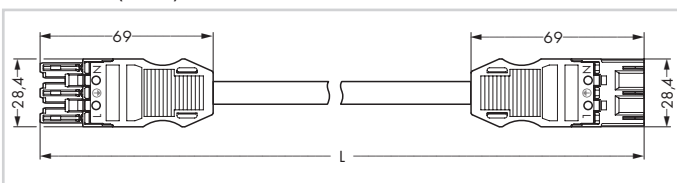
Cable Assemblies, 3 x 2.5 mm², PVC

771 Series

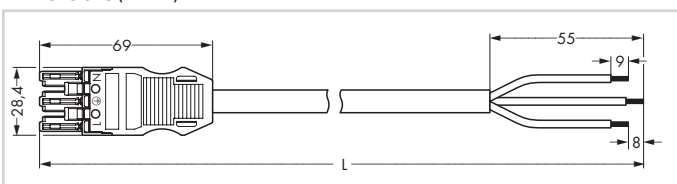
3



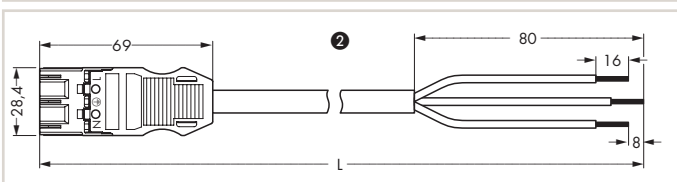
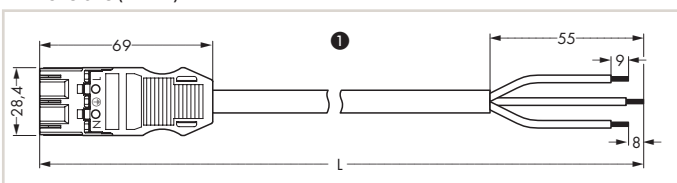
Dimensions (in mm):



Dimensions (in mm):



Dimensions (in mm):



Rated voltage	250 V
Rated current	20 A
Strip length	9 mm / 0.35 inch
Conductor preparation	tip-bonded

Interconnecting cable, socket – plug, PVC, A-coding

Length	● black	○ white	Pack. Unit
1 m	771-9993/007-101	771-9993/007-102	1
2 m	771-9993/007-201	771-9993/007-202	1
3 m	771-9993/007-301	771-9993/007-302	1
4 m	771-9993/007-401	771-9993/007-402	1
5 m	771-9993/007-501	771-9993/007-502	1
6 m	771-9993/007-601	771-9993/007-602	1
7 m	771-9993/007-701	771-9993/007-702	1
8 m	771-9993/007-801	771-9993/007-802	1

Connecting cable, socket – free end, PVC, A-coding

Length	● black	○ white	Pack. Unit
1 m	771-9993/107-101	771-9993/107-102	1
2 m	771-9993/107-201	771-9993/107-202	1
3 m	771-9993/107-301	771-9993/107-302	1
4 m	771-9993/107-401	771-9993/107-402	1
5 m	771-9993/107-501	771-9993/107-502	1
6 m	771-9993/107-601	771-9993/107-602	1
7 m	771-9993/107-701	771-9993/107-702	1
8 m	771-9993/107-801	771-9993/107-802	1

Connecting cable, plug – free end, PVC, A-coding

Length	● black ①	○ white ①	● black ②	Pack. Unit
1 m	771-9993/207-101	771-9993/207-102	771-9993/3207-101	1
2 m	771-9993/207-201	771-9993/207-202	771-9993/3207-201	1
3 m	771-9993/207-301	771-9993/207-302	771-9993/3207-301	1
4 m	771-9993/207-401	771-9993/207-402	771-9993/3207-401	1
5 m	771-9993/207-501	771-9993/207-502	771-9993/3207-501	1
6 m	771-9993/207-601	771-9993/207-602	771-9993/3207-601	1
7 m	771-9993/207-701	771-9993/207-702	771-9993/3207-701	1
8 m	771-9993/207-801	771-9993/207-802	771-9993/3207-801	1

Additional cable lengths available upon request.

Marine approvals (GL, LR, NV) relate exclusively to cables approved for marine applications.

771 Series Accessories, see page 343

Approvals, see www.wago.com

Codings, see page 360

Coding	Marking	Color
A	L ⊕ N	● black
A	L ⊕ N	○ white

WINSTA® MIDI

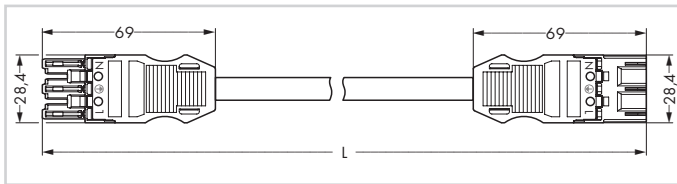
Cable Assemblies, 3 x 2.5 mm², Halogen-Free

771 Series

Rated voltage	250 V
Rated current	20 A
Strip length	9 mm / 0.35 inch
Conductor preparation	tip-bonded



Dimensions (in mm):



Interconnecting cable, socket – plug, halogen-free, A-coding

Length	● black	○ white	Pack. Unit
1 m	771-9993/017-101	771-9993/017-102	1
2 m	771-9993/017-201	771-9993/017-202	1
3 m	771-9993/017-301	771-9993/017-302	1
4 m	771-9993/017-401	771-9993/017-402	1
5 m	771-9993/017-501	771-9993/017-502	1
6 m	771-9993/017-601	771-9993/017-602	1
7 m	771-9993/017-701	771-9993/017-702	1
8 m	771-9993/017-801	771-9993/017-802	1



Dimensions (in mm):

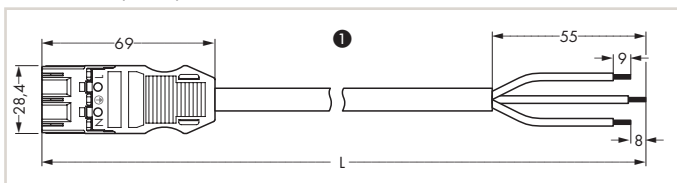


Connecting cable, socket – free end, halogen-free, A-coding

Length	● black	○ white	Pack. Unit
1 m	771-9993/117-101	771-9993/117-102	1
2 m	771-9993/117-201	771-9993/117-202	1
3 m	771-9993/117-301	771-9993/117-302	1
4 m	771-9993/117-401	771-9993/117-402	1
5 m	771-9993/117-501	771-9993/117-502	1
6 m	771-9993/117-601	771-9993/117-602	1
7 m	771-9993/117-701	771-9993/117-702	1
8 m	771-9993/117-801	771-9993/117-802	1

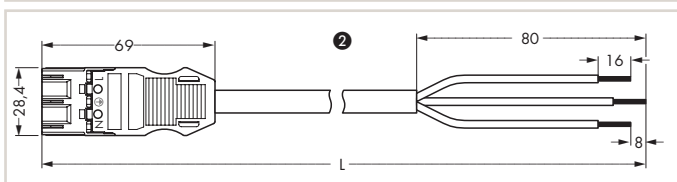


Dimensions (in mm):



Connecting cable, plug – free end, halogen-free, A-coding

Length	● black ①	○ white ①	● black ②	Pack. Unit
1 m	771-9993/217-101	771-9993/217-102	771-9993/3217-101	1
2 m	771-9993/217-201	771-9993/217-202	771-9993/3217-201	1
3 m	771-9993/217-301	771-9993/217-302	771-9993/3217-301	1
4 m	771-9993/217-401	771-9993/217-402	771-9993/3217-401	1
5 m	771-9993/217-501	771-9993/217-502	771-9993/3217-501	1
6 m	771-9993/217-601	771-9993/217-602	771-9993/3217-601	1
7 m	771-9993/217-701	771-9993/217-702	771-9993/3217-701	1
8 m	771-9993/217-801	771-9993/217-802	771-9993/3217-801	1



Coding	Marking	Color
A	L ⊕ N	● black
A	L ⊕ N	○ white

WINSTA® MIDI

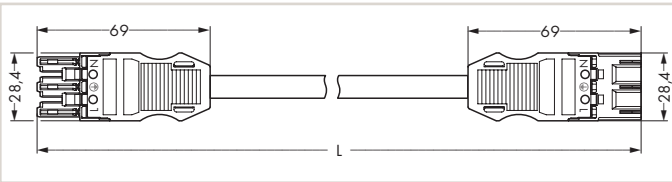
Cable Assemblies, 3 x 2.5 mm², PVC

771 Series

3



Dimensions (in mm):

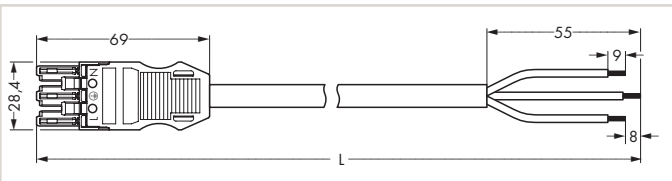


Rated voltage	250 V
Rated current	20 A
Strip length	9 mm / 0.35 inch
Conductor preparation	tip-bonded

Interconnecting cable, socket – plug, PVC, P-coding			
Length	● black	○ white	Pack. Unit
1 m	771-9973/007-101	771-9973/007-102	1
2 m	771-9973/007-201	771-9973/007-202	1
3 m	771-9973/007-301	771-9973/007-302	1
4 m	771-9973/007-401	771-9973/007-402	1
5 m	771-9973/007-501	771-9973/007-502	1
6 m	771-9973/007-601	771-9973/007-602	1
7 m	771-9973/007-701	771-9973/007-702	1
8 m	771-9973/007-801	771-9973/007-802	1



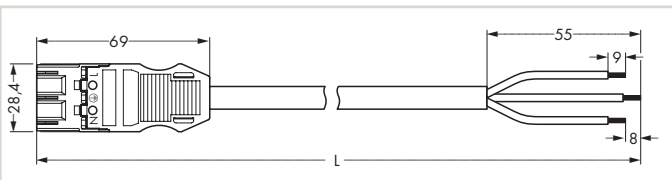
Dimensions (in mm):



Connecting cable, socket – free end, PVC, P-coding			
Length	● black	○ white	Pack. Unit
1 m	771-9973/107-101	771-9973/107-102	1
2 m	771-9973/107-201	771-9973/107-202	1
3 m	771-9973/107-301	771-9973/107-302	1
4 m	771-9973/107-401	771-9973/107-402	1
5 m	771-9973/107-501	771-9973/107-502	1
6 m	771-9973/107-601	771-9973/107-602	1
7 m	771-9973/107-701	771-9973/107-702	1
8 m	771-9973/107-801	771-9973/107-802	1



Dimensions (in mm):



Connecting cable, plug – free end, PVC, P-coding			
Length	● black	○ white	Pack. Unit
1 m	771-9973/207-101	771-9973/207-102	1
2 m	771-9973/207-201	771-9973/207-202	1
3 m	771-9973/207-301	771-9973/207-302	1
4 m	771-9973/207-401	771-9973/207-402	1
5 m	771-9973/207-501	771-9973/207-502	1
6 m	771-9973/207-601	771-9973/207-602	1
7 m	771-9973/207-701	771-9973/207-702	1
8 m	771-9973/207-801	771-9973/207-802	1

Additional cable lengths available upon request.

Marine approvals (GL, LR, NV) relate exclusively to cables approved for marine applications.

771 Series Accessories, see page 343

Approvals, see www.wago.com

Codings, see page 360

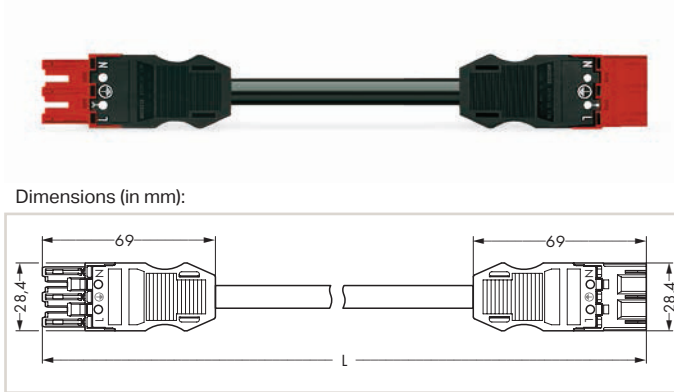
Coding	Marking	Color
P	L ⊕ N	● red

WINSTA® MIDI

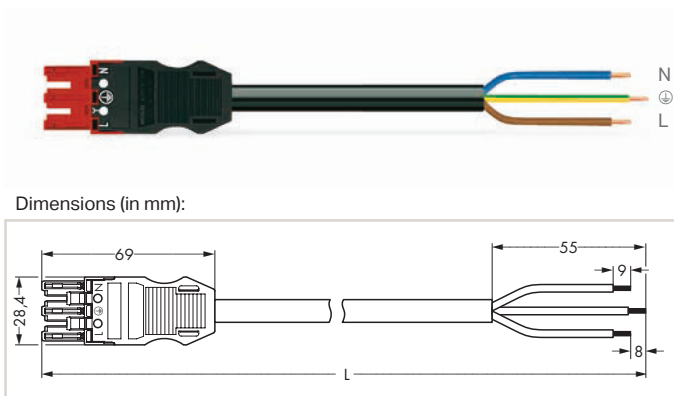
Cable Assemblies, 3 x 2.5 mm², Halogen-Free

771 Series

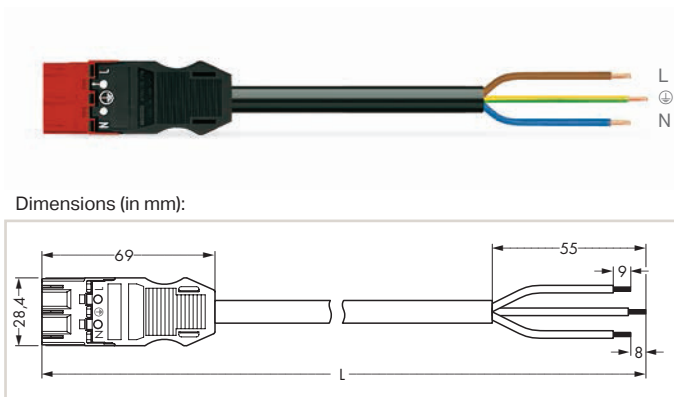
Rated voltage	250 V
Rated current	20 A
Strip length	9 mm / 0.35 inch
Conductor preparation	tip-bonded



Interconnecting cable, socket – plug, halogen-free, P-coding			
Length	● black	○ white	Pack. Unit
1 m	771-9973/017-101	771-9973/017-102	1
2 m	771-9973/017-201	771-9973/017-202	1
3 m	771-9973/017-301	771-9973/017-302	1
4 m	771-9973/017-401	771-9973/017-402	1
5 m	771-9973/017-501	771-9973/017-502	1
6 m	771-9973/017-601	771-9973/017-602	1
7 m	771-9973/017-701	771-9973/017-702	1
8 m	771-9973/017-801	771-9973/017-802	1



Connecting cable, socket – free end, halogen-free, P-coding			
Length	● black	○ white	Pack. Unit
1 m	771-9973/117-101	771-9973/117-102	1
2 m	771-9973/117-201	771-9973/117-202	1
3 m	771-9973/117-301	771-9973/117-302	1
4 m	771-9973/117-401	771-9973/117-402	1
5 m	771-9973/117-501	771-9973/117-502	1
6 m	771-9973/117-601	771-9973/117-602	1
7 m	771-9973/117-701	771-9973/117-702	1
8 m	771-9973/117-801	771-9973/117-802	1



Connecting cable, plug – free end, halogen-free, P-coding			
Length	● black	○ white	Pack. Unit
1 m	771-9973/217-101	771-9973/217-102	1
2 m	771-9973/217-201	771-9973/217-202	1
3 m	771-9973/217-301	771-9973/217-302	1
4 m	771-9973/217-401	771-9973/217-402	1
5 m	771-9973/217-501	771-9973/217-502	1
6 m	771-9973/217-601	771-9973/217-602	1
7 m	771-9973/217-701	771-9973/217-702	1
8 m	771-9973/217-801	771-9973/217-802	1

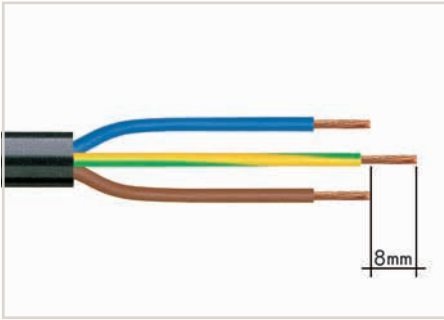
Coding	Marking	Color
P	L ⊕ N	● red

WINSTA® MIDI

IP 2XD, for Easily Accessible Areas

770 Series

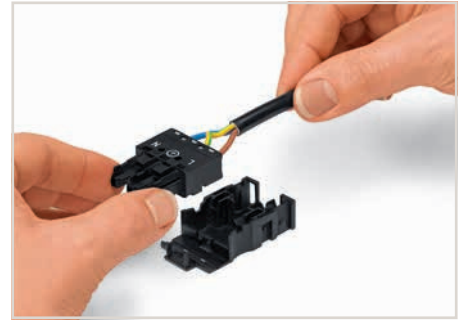
3



1. Strip length, outer insulation = 48 mm
2. Strip length = 9 mm
3. Extended ground conductor = 8 mm



To terminate fine-stranded conductors, open the clamping unit via screwdriver (2.5 mm blade width) and insert stripped conductor until it hits backstop. Terminate solid conductors by simply pushing them in.



Latch wired connector onto the base of the strain relief housing.



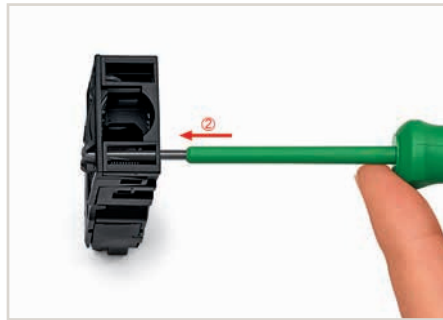
Assembly: Prepare strain relief housing by snapping together upper and bottom part.



Push down strain relief clamp via screwdriver (2.5 mm blade width) alternately on both sides.



Disassembly: First, unlock strain relief clamp via screwdriver (2.5 mm blade width) from the bottom.



Then, push strain relief clamp via screwdriver out of the locking position.

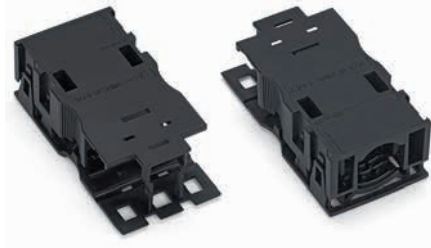


Finally, unlock strain relief housing via screwdriver on both sides.

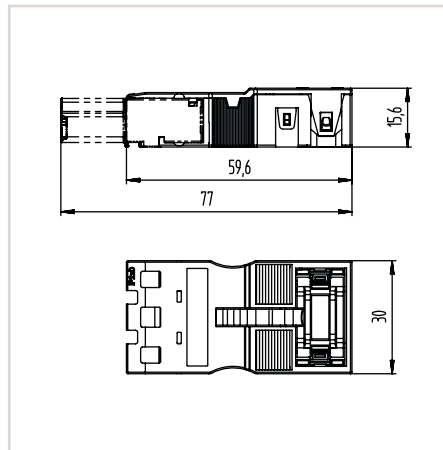
WINSTA® MIDI

IP 2XD, Strain Relief Housings, 3-Pole

770 Series





Dimensions (in mm):




Strain relief housing, for one cable,
7 ... 11.5 mm cable diameter,
48 mm strip length

Color	Item No.	Pack. Unit
black	770-503/038-000	100
white	770-513/038-000	100

 770 Series Accessories,
see page 343

 Approvals,
see www.wago.com

 Coding Overview,
see page 360

WINSTA® MIDI

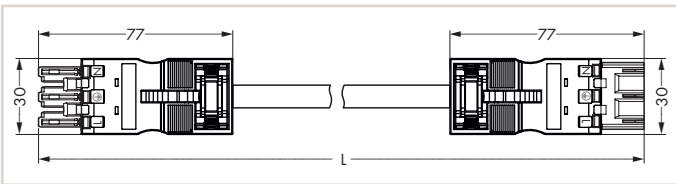
IP 2XD, Cable Assemblies, 3 x 1.5 mm², PVC

771 Series

3



Dimensions (in mm):

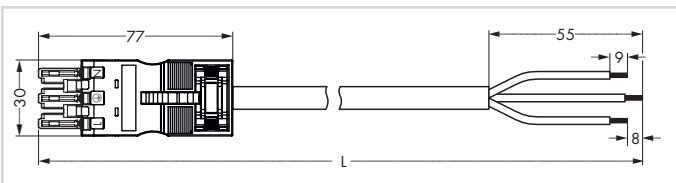


Rated voltage	250 V
Rated current	16 A
Strip length	9 mm / 0.35 inch
Conductor preparation	tip-bonded

Interconnecting cable, socket – plug, PVC, A-coding			
Length	● black	○ white	Pack. Unit
1 m	771-6993/006-101	771-6993/006-102	1
2 m	771-6993/006-201	771-6993/006-202	1
3 m	771-6993/006-301	771-6993/006-302	1
4 m	771-6993/006-401	771-6993/006-402	1
5 m	771-6993/006-501	771-6993/006-502	1
6 m	771-6993/006-601	771-6993/006-602	1
7 m	771-6993/006-701	771-6993/006-702	1
8 m	771-6993/006-801	771-6993/006-802	1



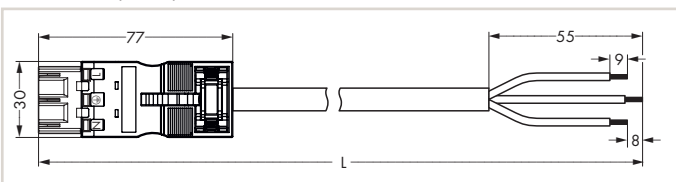
Dimensions (in mm):



Connecting cable, socket – free end, PVC, A-coding			
Length	● black	○ white	Pack. Unit
1 m	771-6993/106-101	771-6993/106-102	1
2 m	771-6993/106-201	771-6993/106-202	1
3 m	771-6993/106-301	771-6993/106-302	1
4 m	771-6993/106-401	771-6993/106-402	1
5 m	771-6993/106-501	771-6993/106-502	1
6 m	771-6993/106-601	771-6993/106-602	1
7 m	771-6993/106-701	771-6993/106-702	1
8 m	771-6993/106-801	771-6993/106-802	1



Dimensions (in mm):



Connecting cable, plug – free end, PVC, A-coding			
Length	● black	○ white	Pack. Unit
1 m	771-6993/206-101	771-6993/206-102	1
2 m	771-6993/206-201	771-6993/206-202	1
3 m	771-6993/206-301	771-6993/206-302	1
4 m	771-6993/206-401	771-6993/206-402	1
5 m	771-6993/206-501	771-6993/206-502	1
6 m	771-6993/206-601	771-6993/206-602	1
7 m	771-6993/206-701	771-6993/206-702	1
8 m	771-6993/206-801	771-6993/206-802	1

Additional cable lengths available upon request.

Marine approvals (GL, LR, NV) relate exclusively to cables approved for marine applications.

771 Series Accessories, see page 343

Approvals, see www.wago.com

Codings, see page 360

Coding	Marking	Color
A	L ⊕ N	● black
A	L ⊕ N	○ white

WINSTA® MIDI

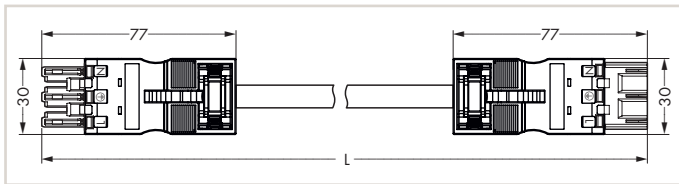
IP 2XD, Cable Assemblies, 3 x 1.5 mm², Halogen-Free

771 Series

Rated voltage	250 V
Rated current	16 A
Strip length	9 mm / 0.35 inch
Conductor preparation	tip-bonded



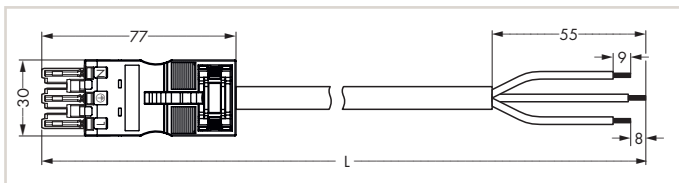
Dimensions (in mm):



Interconnecting cable, socket – plug, halogen-free, A-coding			
Length	● black	○ white	Pack. Unit
1 m	771-6993/016-101	771-6993/016-102	1
2 m	771-6993/016-201	771-6993/016-202	1
3 m	771-6993/016-301	771-6993/016-302	1
4 m	771-6993/016-401	771-6993/016-402	1
5 m	771-6993/016-501	771-6993/016-502	1
6 m	771-6993/016-601	771-6993/016-602	1
7 m	771-6993/016-701	771-6993/016-702	1
8 m	771-6993/016-801	771-6993/016-802	1



Dimensions (in mm):



Connecting cable, socket – free end, halogen-free, A-coding			
Length	● black	○ white	Pack. Unit
1 m	771-6993/116-101	771-6993/116-102	1
2 m	771-6993/116-201	771-6993/116-202	1
3 m	771-6993/116-301	771-6993/116-302	1
4 m	771-6993/116-401	771-6993/116-402	1
5 m	771-6993/116-501	771-6993/116-502	1
6 m	771-6993/116-601	771-6993/116-602	1
7 m	771-6993/116-701	771-6993/116-702	1
8 m	771-6993/116-801	771-6993/116-802	1



Dimensions (in mm):



Connecting cable, plug – free end, halogen-free, A-coding			
Length	● black	○ white	Pack. Unit
1 m	771-6993/216-101	771-6993/216-102	1
2 m	771-6993/216-201	771-6993/216-202	1
3 m	771-6993/216-301	771-6993/216-302	1
4 m	771-6993/216-401	771-6993/216-402	1
5 m	771-6993/216-501	771-6993/216-502	1
6 m	771-6993/216-601	771-6993/216-602	1
7 m	771-6993/216-701	771-6993/216-702	1
8 m	771-6993/216-801	771-6993/216-802	1

Coding	Marking	Color
A	L ⊕ N	● black
A	L ⊕ N	○ white

WINSTA® MIDI

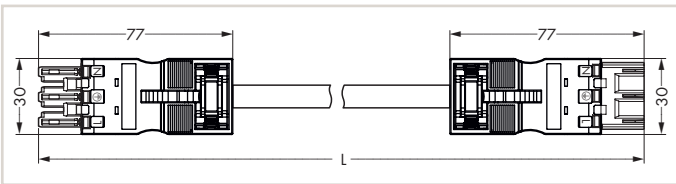
IP 2XD, Cable Assemblies, 3 x 2.5 mm², PVC

771 Series

3



Dimensions (in mm):

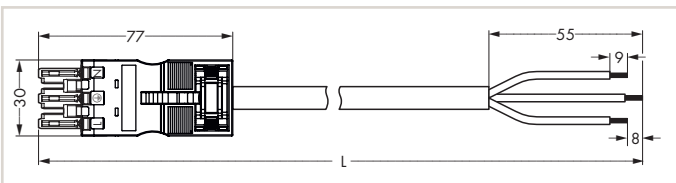


Rated voltage	250 V
Rated current	20 A
Strip length	9 mm / 0.35 inch
Conductor preparation	tip-bonded

Interconnecting cable, socket – plug, PVC, A-coding			
Length	● black	○ white	Pack. Unit
1 m	771-6993/007-101	771-6993/007-102	1
2 m	771-6993/007-201	771-6993/007-202	1
3 m	771-6993/007-301	771-6993/007-302	1
4 m	771-6993/007-401	771-6993/007-402	1
5 m	771-6993/007-501	771-6993/007-502	1
6 m	771-6993/007-601	771-6993/007-602	1
7 m	771-6993/007-701	771-6993/007-702	1
8 m	771-6993/007-801	771-6993/007-802	1



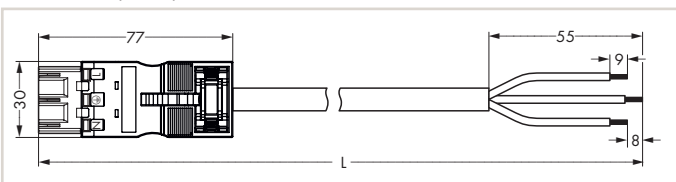
Dimensions (in mm):



Connecting cable, socket – free end, PVC, A-coding			
Length	● black	○ white	Pack. Unit
1 m	771-6993/107-101	771-6993/107-102	1
2 m	771-6993/107-201	771-6993/107-202	1
3 m	771-6993/107-301	771-6993/107-302	1
4 m	771-6993/107-401	771-6993/107-402	1
5 m	771-6993/107-501	771-6993/107-502	1
6 m	771-6993/107-601	771-6993/107-602	1
7 m	771-6993/107-701	771-6993/107-702	1
8 m	771-6993/107-801	771-6993/107-802	1



Dimensions (in mm):



Connecting cable, plug – free end, PVC, A-coding			
Length	● black	○ white	Pack. Unit
1 m	771-6993/207-101	771-6993/207-102	1
2 m	771-6993/207-201	771-6993/207-202	1
3 m	771-6993/207-301	771-6993/207-302	1
4 m	771-6993/207-401	771-6993/207-402	1
5 m	771-6993/207-501	771-6993/207-502	1
6 m	771-6993/207-601	771-6993/207-602	1
7 m	771-6993/207-701	771-6993/207-702	1
8 m	771-6993/207-801	771-6993/207-802	1

Additional cable lengths available upon request.

Marine approvals (GL, LR, NV) relate exclusively to cables approved for marine applications.

771 Series Accessories, see page 343

Approvals, see www.wago.com

Codings, see page 360

Coding	Marking	Color
A	L ⊕ N	● black
A	L ⊕ N	○ white

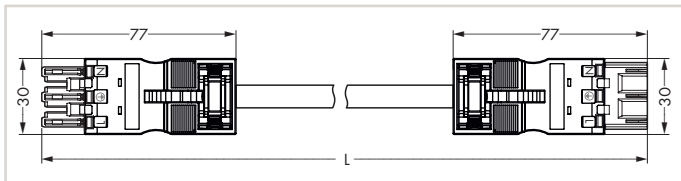
WINSTA® MIDI

IP 2XD, Cable Assemblies, 3 x 2.5 mm², Halogen-Free

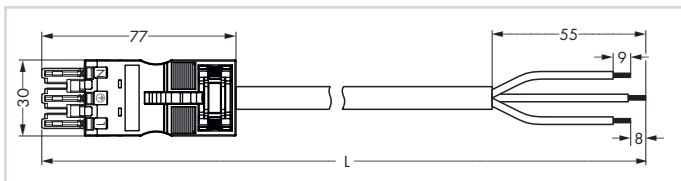
771 Series



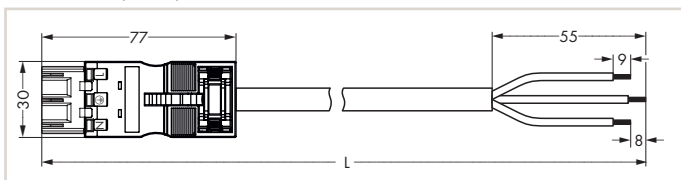
Dimensions (in mm):



Dimensions (in mm):



Dimensions (in mm):



Rated voltage	250 V
Rated current	20 A
Strip length	9 mm / 0.35 inch
Conductor preparation	tip-bonded

Interconnecting cable, socket – plug, halogen-free, A-coding

Length	● black	○ white	Pack. Unit
1 m	771-6993/017-101	771-6993/017-102	1
2 m	771-6993/017-201	771-6993/017-202	1
3 m	771-6993/017-301	771-6993/017-302	1
4 m	771-6993/017-401	771-6993/017-402	1
5 m	771-6993/017-501	771-6993/017-502	1
6 m	771-6993/017-601	771-6993/017-602	1
7 m	771-6993/017-701	771-6993/017-702	1
8 m	771-6993/017-801	771-6993/017-802	1

Connecting cable, socket – free end, halogen-free, A-coding

Length	● black	○ white	Pack. Unit
1 m	771-6993/117-101	771-6993/117-102	1
2 m	771-6993/117-201	771-6993/117-202	1
3 m	771-6993/117-301	771-6993/117-302	1
4 m	771-6993/117-401	771-6993/117-402	1
5 m	771-6993/117-501	771-6993/117-502	1
6 m	771-6993/117-601	771-6993/117-602	1
7 m	771-6993/117-701	771-6993/117-702	1
8 m	771-6993/117-801	771-6993/117-802	1

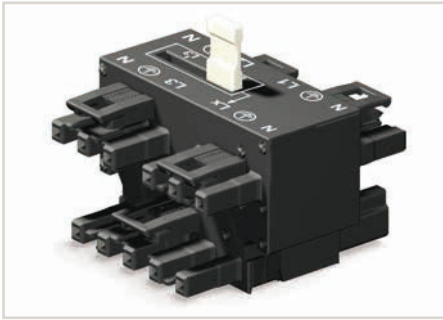
Connecting cable, plug – free end, halogen-free, A-coding

Length	● black	○ white	Pack. Unit
1 m	771-6993/217-101	771-6993/217-102	1
2 m	771-6993/217-201	771-6993/217-202	1
3 m	771-6993/217-301	771-6993/217-302	1
4 m	771-6993/217-401	771-6993/217-402	1
5 m	771-6993/217-501	771-6993/217-502	1
6 m	771-6993/217-601	771-6993/217-602	1
7 m	771-6993/217-701	771-6993/217-702	1
8 m	771-6993/217-801	771-6993/217-802	1

Coding	Marking	Color
A	L ⊕ N	● black
A	L ⊕ N	○ white

WINSTA® MIDI

Three-Phase to Single-Phase Distribution Connectors with Phase Selection, 5-Pole 770 Series



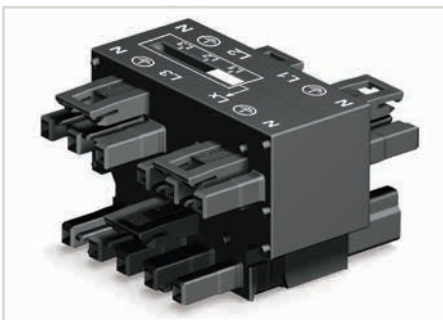
Movable jumper

Rated voltage	250 V / 400 V
Rated current	25 A

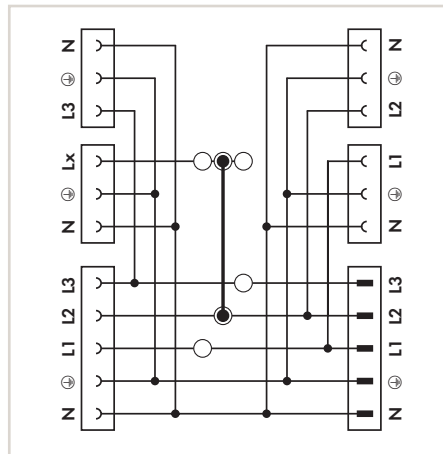
The different jumper positions allow for a wide range of different tap-off options to be selected. In addition to the 3 set tap-offs (L1/L2/L3), the selectable 4th tap-off provides for a high degree of flexibility before, during and after installation.



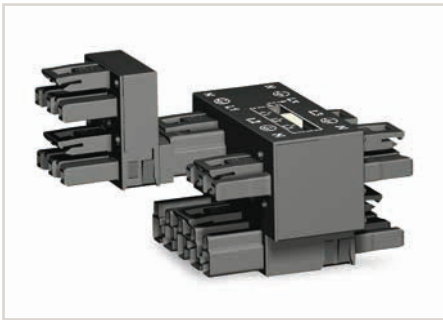
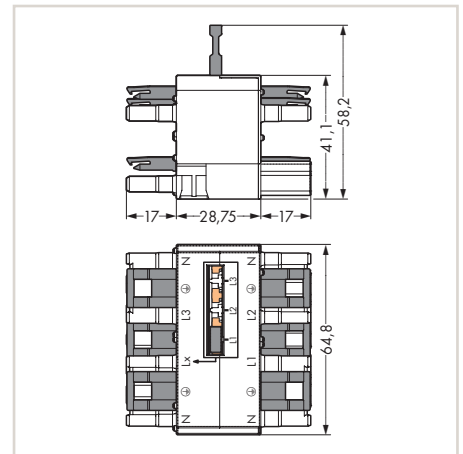
3



Jumper pushed down, flush with the housing (position L1)



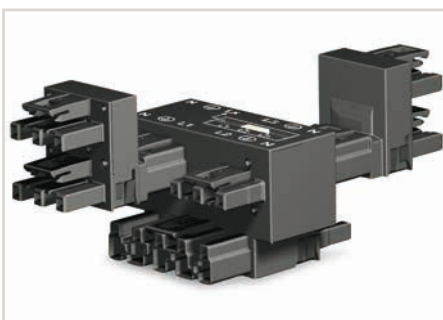
Dimensions (in mm):



An additional h-distribution connector doubles L1. This results in the following connection options:
 L1/L1/L2/L2/L3 with jumper in position L2
 L1/L1/L2/L3/L3 with jumper in position L3

Distribution connector, three-phase to single-phase current

Color	Item No.	Pack. Unit
● black	770-640	10
○ white	770-690	10
● red	770-940	10



Additional h-distribution connectors double L1 and L3. This results in the following connection option:
 L1/L1/L2/L2/L3/L3 with jumper in position L2
 Notice: h-distribution connectors can only be plugged on L1 and L3.

Coding	Marking	Color
A	N ⊕ L1 L2 L3	● black
A	N ⊕ L1 L2 L3	○ white
P	N ⊕ L1 L2 L3	● red

WINSTA® MIDI

Distribution Connectors with Phase Selection, 5-Pole 770 Series



Lift jumper out of delivery position (L2) using a screwdriver and move it into the desired position.



Push down jumper in its new position (picture shows L3).



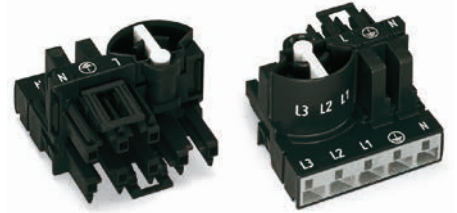
The 5-pole energy circuit can be extended using pluggable cable assemblies.



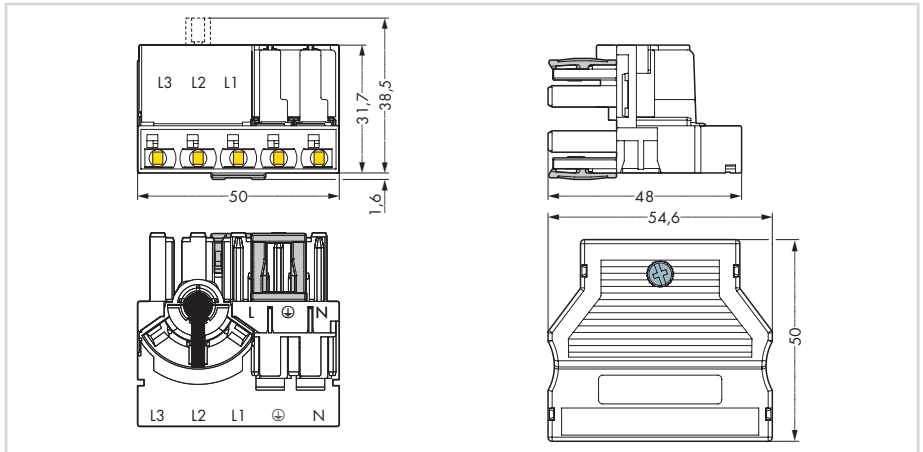
Plugging a 3-pole tap-off cable.

Conductor range	0.5 ... 4 mm ² / 20 ... 12 AWG
Rated voltage	250 V / 400 V
Rated current	25 A
Strip length	9 mm / 0.35 inch

Tap-off: Socket, 3-pole, N ⊕ L
 Through contact: Socket, 5-pole, N ⊕ L1 L2 L3



Dimensions (in mm):



Distribution connector, with phase selection, with strain relief housing, 9 ... 13 mm cable diameter, 55 mm strip length

Color	Item No.	Pack. Unit
● black	770-611	10
○ white	770-661	10

- 770 Series Accessories, see page 343
- Approvals, see www.wago.com
- Coding Overview, see page 360

Coding	Marking	Color
A	N ⊕ L1 L2 L3	● black
A	N ⊕ L1 L2 L3	○ white

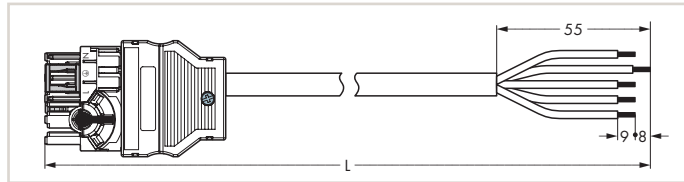
WINSTA® MIDI

Cable Assemblies, 5 x 2.5 mm², PVC and Halogen-Free

771 Series



Dimensions (in mm):

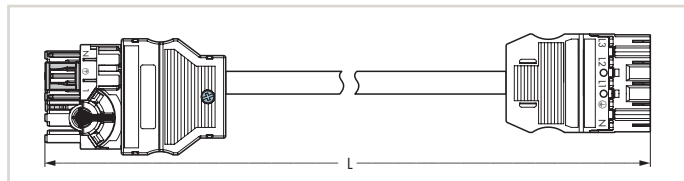


Rated voltage	400 V
Rated current	20 A
Strip length	9 mm / 0.35 inch
Conductor preparation	tip-bonded

Connecting cable, distribution connectors with phase selection – free end, PVC, A-coding			
Length	● black	○ white	Pack. Unit
1 m	771-8965/107-101	771-8965/107-102	1
2 m	771-8965/107-201	771-8965/107-202	1



Dimensions (in mm):



Connecting cable, distribution connectors with phase selection – free end, halogen-free, A-coding			
Length	● black	○ white	Pack. Unit
1 m	771-8965/117-101	771-8965/117-102	1
2 m	771-8965/117-201	771-8965/117-202	1

Interconnecting cable, distribution connectors with phase selection – plug, PVC, A-coding			
Length	● black	○ white	Pack. Unit
1 m	771-8965/007-101	771-8965/007-102	1
2 m	771-8965/007-201	771-8965/007-202	1

Interconnecting cable, distribution connectors with phase selection – plug, halogen-free, A-coding			
Length	● black	○ white	Pack. Unit
1 m	771-8965/017-101	771-8965/017-102	1
2 m	771-8965/017-201	771-8965/017-202	1

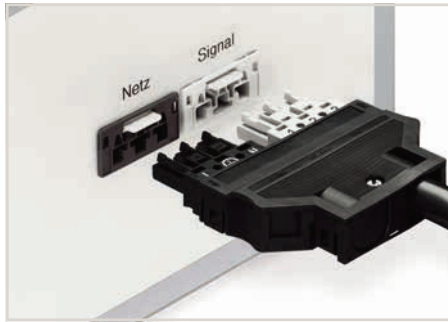
Coding	Marking	Color
A	N ⊕ L1 L2 L3	● black
A	N ⊕ L1 L2 L3	○ white

3

WINSTA® MIDI

Strain Relief Housings, 6-Pole

770 Series

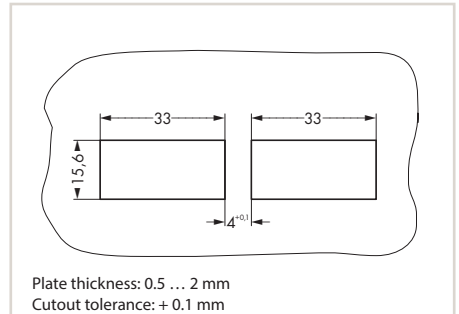
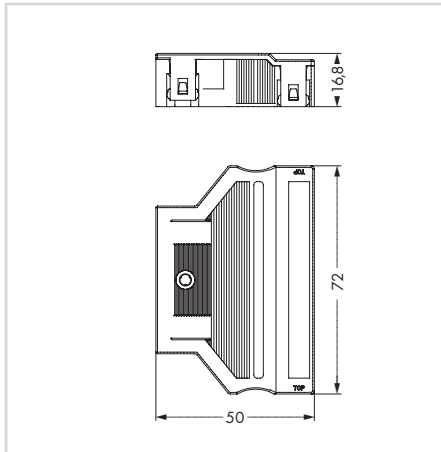


3

Snap-on type strain relief housings for:

- two 3-pole sockets
- two 3-pole plugs
- 3-pole socket and plug

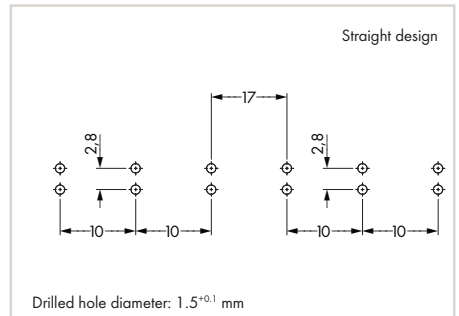
Dimensions (in mm):



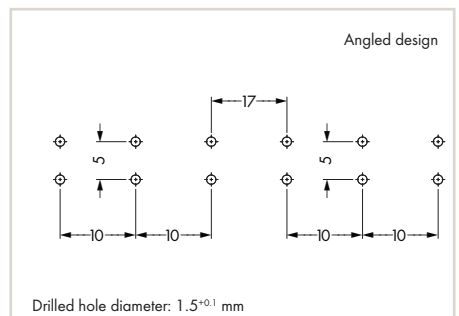
Using a 6-pole strain relief housing with snap-in connectors requires the cutout dimensions shown above.

Strain relief housing, for two cables, for 8 ... 13.5 mm cable diameter, 55 mm strip length

Color	Item No.	Pack. Unit
black	770-506/029-000	50
white	770-516/029-000	50



Using a straight, 6-pole PCB connector requires the hole patterns shown above.



Using an angled, 6-pole PCB connector requires the hole patterns shown above.

Marking strips, see page 357

Approvals, see www.wago.com

WINSTA® MIDI

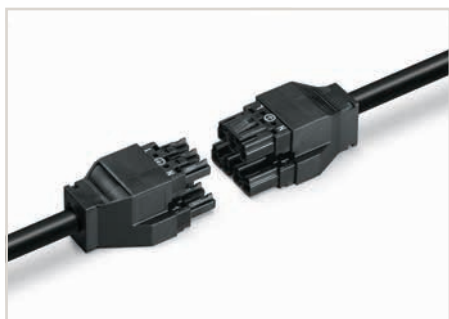
Strain Relief Housings, 7-Pole

770 Series

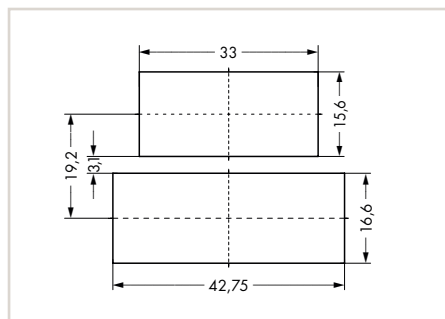
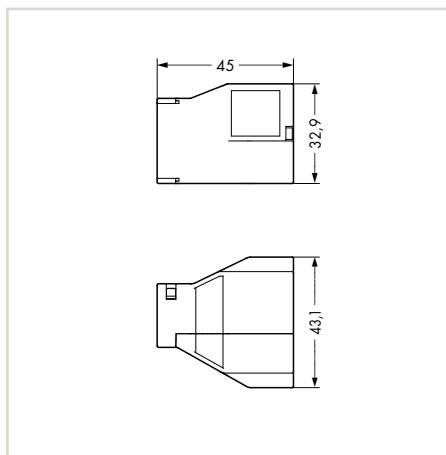


Snap-on type strain relief housings for:

- 3-pole socket or plug
- 4-pole socket or plug



„Flying leads“
(NOTICE: Only use locking levers on upper position)



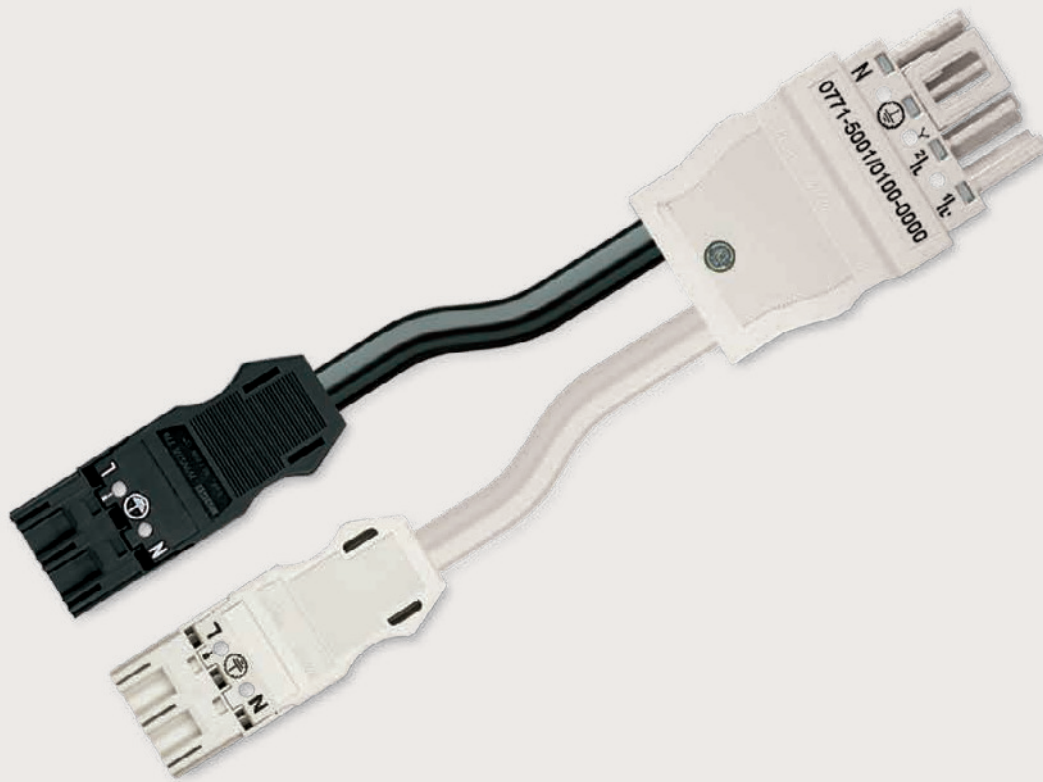
Using a 7-pole strain relief housing with snap-in connectors requires the cutout dimensions shown above.



„Flying leads“





Strain relief housing,
for one cable, 8 ... 15 mm cable diameter,
55 mm strip length

Color	Item No.	Pack. Unit
black	770-507/047-000	200
white	770-517/047-000	200



WINSTA® – Specialty Cable Assemblies

WINSTA® – Cable Assemblies for Specialty Applications**2.5 mm² / 20 A****771 Series**

		Page
	771 Series	
	Plug – Lamp Socket	242
	Plug – Cold Equipment Socket	242
	Socket – SCHUKO® Plug	243
	Plug – SCHUKO® Socket	243
	771 Series	
	Connecting Cable for Distribution Connectors Y-Cable	244 245
	771 Series	
	Adapter Cable for DALI	246
	771 Series	
	Y-Cable for DALI	247

WINSTA® MIDI

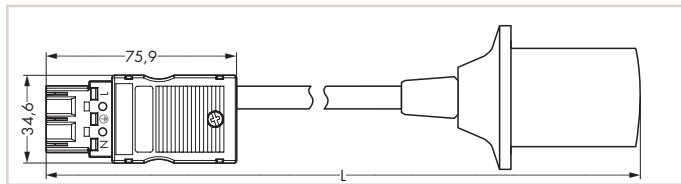
Cable Assemblies, 2 x 0.75 mm² / 3 x 1 mm², PVC

771 Series

Rated voltage	250 V
Rated current (0.75 mm ²) ①	4 A
Rated current (1 mm ²) ②	10 A



Dimensions (in mm):

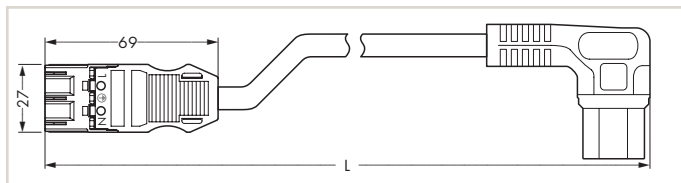


Cable ①, Plug – E 27 lamp socket, PVC, A-coding		
Length	● black	Pack. Unit
0.5 m	771-8993/1004-051	1

5



Dimensions (in mm):



Interconnecting cable ②, socket – cold equipment socket, angled, PVC, A-coding			
Length	● black	○ white	Pack. Unit
1 m	771-9993/805-101	771-9993/805-102	1
2 m	771-9993/805-201	771-9993/805-202	1
3 m	771-9993/805-301	771-9993/805-302	1

Additional cable lengths available upon request.

Marine approvals (GL, LR, NV) relate exclusively to cables approved for marine applications.

771 Series Accessories, see page 343

Approvals, see www.wago.com

Codings, see page 360

Coding	Marking	Color
A	L ⊕ N	● black
A	L ⊕ N	○ white

WINSTA® MIDI

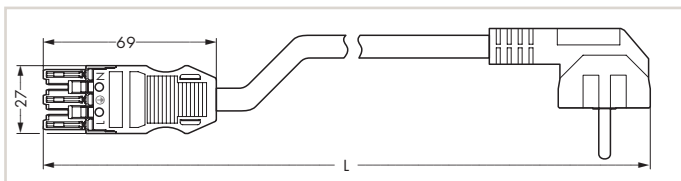
Cable Assemblies, 3 x 1.5 mm² / 3 x 2.5 mm², PVC

771 Series

Rated voltage	250 V
Rated current (1.5 mm ²) ③	16 A
Rated current (2.5 mm ²) ④	20 A



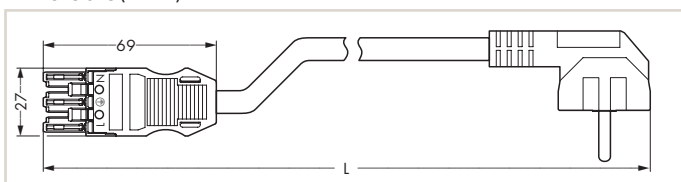
Dimensions (in mm):



Interconnecting cable ③, socket – SCHUKO® Plug, angled, PVC, A-coding			
Length	● black	○ white	Pack. Unit
1 m	771-9993/306-101	771-9993/306-102	1
2 m	771-9993/306-201	771-9993/306-202	1
3 m	771-9993/306-301	771-9993/306-302	1



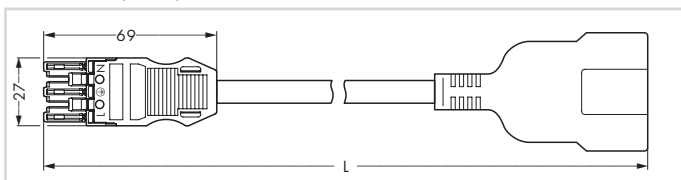
Dimensions (in mm):



Interconnecting cable ④, socket – SCHUKO® Plug, angled, PVC, A-coding			
Length	● black	○ white	Pack. Unit
1 m	771-9993/307-101	771-9993/307-102	1
2 m	771-9993/307-201	771-9993/307-202	1
3 m	771-9993/307-301	771-9993/307-302	1



Dimensions (in mm):



Interconnecting cable ⑤, plug – SCHUKO® Socket, angled, PVC, A-coding			
Length	● black	○ white	Pack. Unit
1 m	771-9993/406-101	771-9993/406-102	1
2 m	771-9993/406-201	771-9993/406-202	1
3 m	771-9993/406-301	771-9993/406-302	1

5

Coding	Marking	Color
A	L ⊕ N	● black
A	L ⊕ N	○ white

WINSTA® MIDI

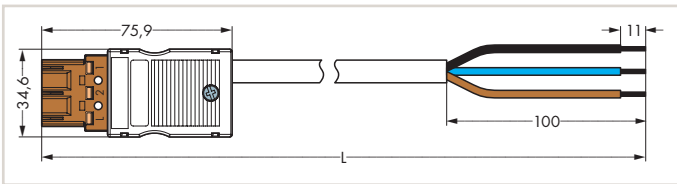
Cable Assemblies, 3 x 1.5 mm², for 770-637 Distribution Connectors

771 Series

Rated voltage	250 V
Rated current	16 A
Strip length	11 mm / 0.43 inch
Conductor preparation	tip-bonded



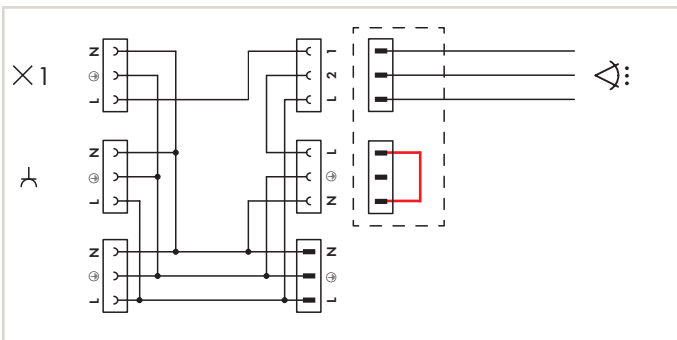
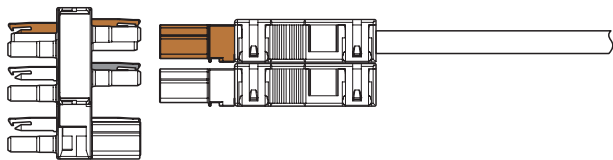
Dimensions (in mm):



Connecting cable, plug – free end, PVC, A- and S-coding		
Length	● black	Pack. Unit
3 m	771-5001/106-000	1
4 m	771-5001/107-000	1

Connecting cable, plug – free end, halogen-free, A- and S-coding		
Length	● black	Pack. Unit
3 m	771-5001/131-000	1
4 m	771-5001/132-000	1

5



This cable combines a standard S-coded cable with an A-coded shorting plug. Both strain relief housings are locked together. A motion detector or switch with signal lamp can be directly connected using a cable equipped with 770-637 Distribution Connector.

Additional cable lengths available upon request.

Marine approvals (GL, LR, NV) relate exclusively to cables approved for marine applications.

771 Series Accessories, see page 343

Approvals, see www.wago.com

Codings, see page 360

Coding	Marking	Color
A	L ⊕ N	● black
S	L 2 1	● brown

WINSTA® MIDI

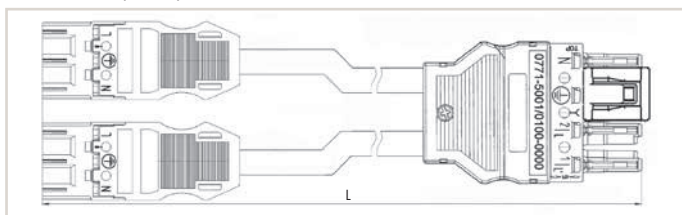
Cable Assemblies, 3 x 1.5 mm²

771 Series

Rated voltage	250 V
Rated current	16 A



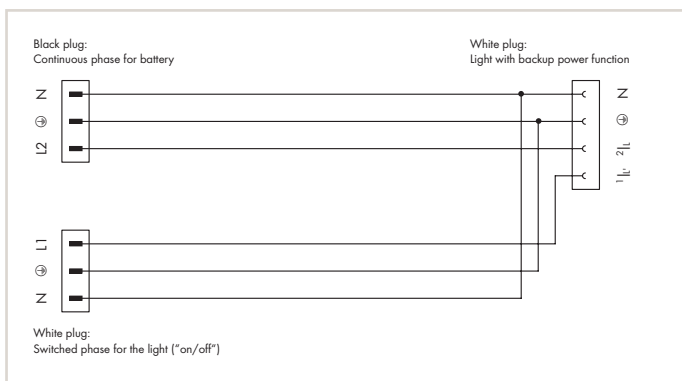
Dimensions (in mm):



Y-cable, 1 x 4-pole, 2 x 3-pole, PVC, A-coding		
Length	● black	Pack. Unit
0.6 m	771-5001/100-000	1

Y-cable, 1 x 4-pole, 2 x 3-pole, halogen-free, A-coding		
Length	● black	Pack. Unit
0.6 m	771-5001/110-000	1

5



This cable connects lights with backup power function (battery pack). The black 3-pole plug connects the continuous phase for the battery, while the white 3-pole plug connects the switched phase for the light ("on/off"). The white 4-pole socket can be directly plugged into the light.

Coding	Marking	Color
A	L ⊕ N	● black
A	L ⊕ N	○ white
A	N ⊕ 2L 1L	○ white

WINSTA® MIDI

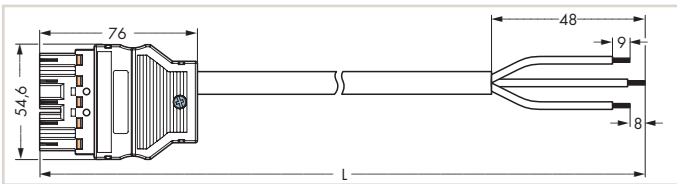
Cable Assemblies, 2 x 1.5 mm²/3 x 1.5 mm²

771 Series

Rated voltage	250 V
Rated current	16 A
Strip length	9 mm / 0.35 inch
Conductor preparation	tip-bonded



Dimensions (in mm):

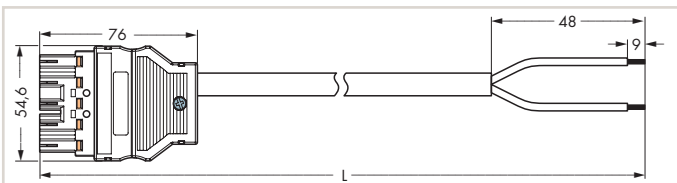


Connecting cable, plug – free end, I-coding			
Length	● black PVC	● black halogen-free	Pack. Unit
1 m	771-5001/148-000	771-5001/156-000	1
2 m	771-5001/149-000	771-5001/157-000	1
3 m	771-5001/150-000	771-5001/158-000	1
4 m	771-5001/151-000	771-5001/159-000	1
5 m	771-5001/152-000	771-5001/160-000	1
6 m	771-5001/153-000	771-5001/161-000	1
7 m	771-5001/154-000	771-5001/162-000	1
8 m	771-5001/155-000	771-5001/163-000	1

5



Dimensions (in mm):



Connecting cable, plug – free end, I-coding			
Length	● black PVC	● black halogen-free	Pack. Unit
1 m	771-5001/164-000	771-5001/172-000	1
2 m	771-5001/165-000	771-5001/173-000	1
3 m	771-5001/166-000	771-5001/174-000	1
4 m	771-5001/167-000	771-5001/175-000	1
5 m	771-5001/168-000	771-5001/176-000	1
6 m	771-5001/169-000	771-5001/177-000	1
7 m	771-5001/170-000	771-5001/178-000	1
8 m	771-5001/171-000	771-5001/179-000	1

Additional cable lengths available upon request.

Marine approvals (GL, LR, NV) relate exclusively to cables approved for marine applications.

771 Series Accessories, see page 343

Approvals, see www.wago.com

Codings, see page 360

Coding	Marking	Color
A	L ⊕ N	● black
I	+ -	● blue
I	N ⊕ L DA- DA+	● blue

WINSTA® MIDI

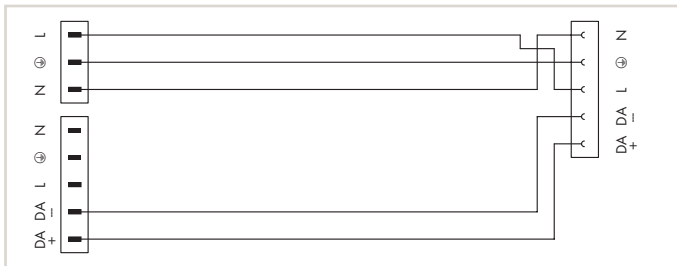
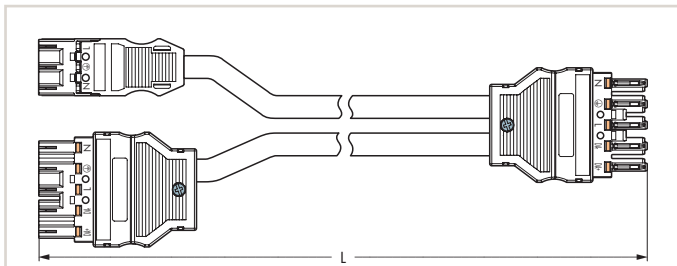
Cable Assemblies, 2 x 1.5 mm²/3 x 2.5 mm²

771 Series

Rated voltage	250 V
Rated current	16 A



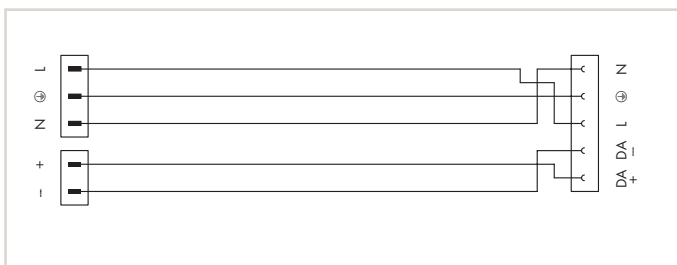
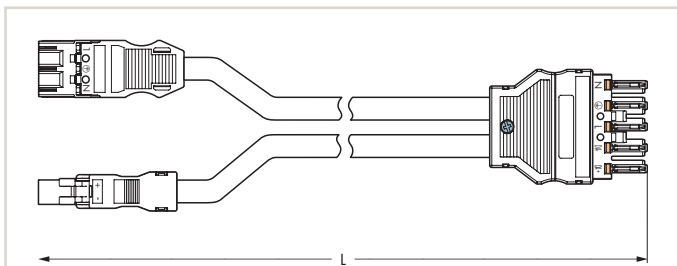
Dimensions (in mm):



Connecting cable, plug – free end, I-coding			
Length	● black PVC	● black halogen-free	Pack. Unit
0.5 m	771-5001/180-000	771-5001/181-000	1

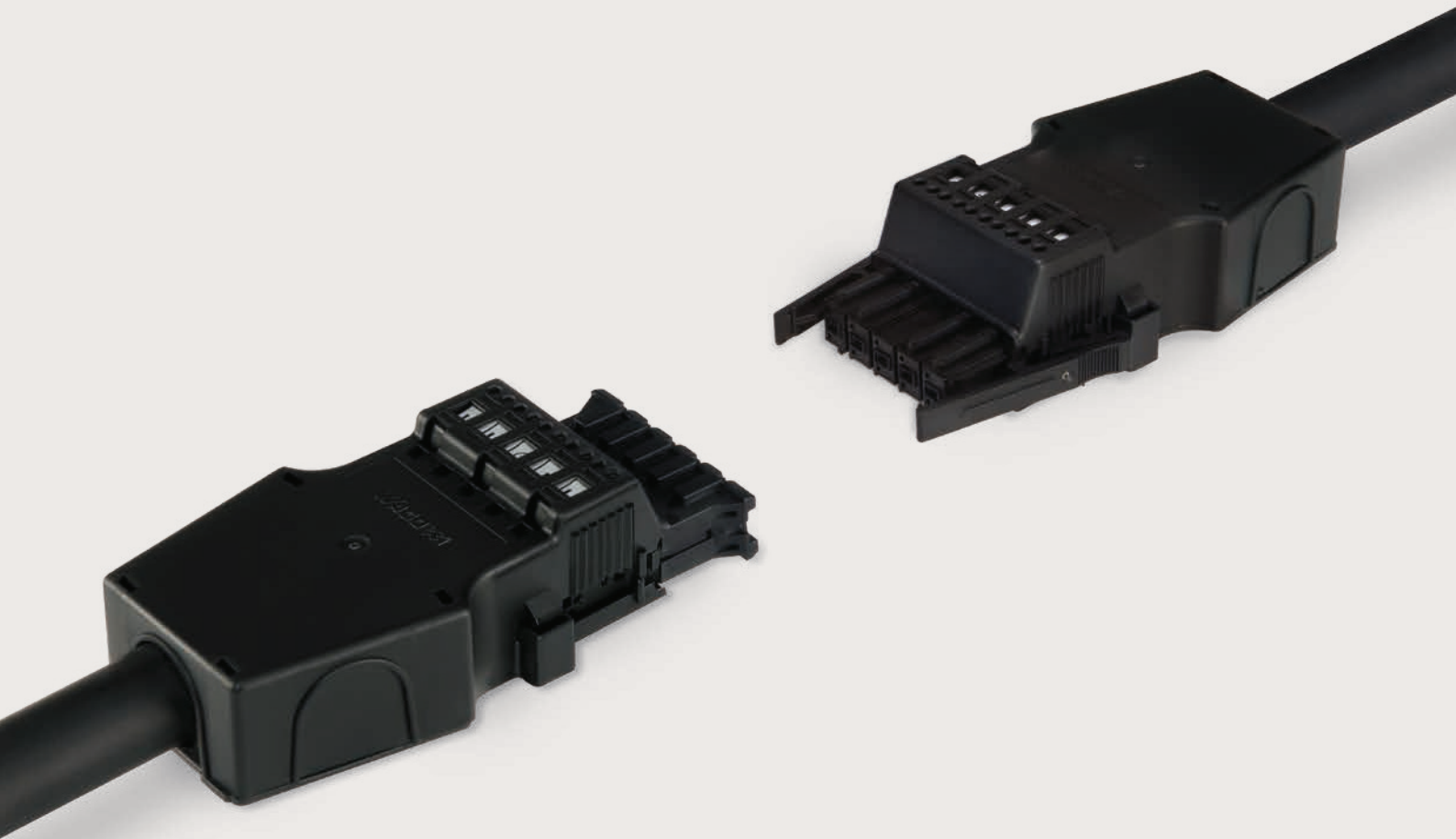


Dimensions (in mm):



Connecting cable, plug – free end, I-coding			
Length	● black PVC	● black halogen-free	Pack. Unit
0.5 m	771-5001/182-000	771-5001/183-000	1

5



WInsta[®] MAXI

WINSTA® MAXI**6 mm² / 35 A****831 Series**

- Note:
- Installation connectors are designed for connection and disconnection while not under load.
 - There is no hazard-inducing interchangeability with systems based on IEC 60309, IEC 60320, IEC 60906 and with national connector and socket systems.
 - Compliance with the standards (IEC 61535) does not guarantee hazard-preventing, non-interchangeability with installation connector systems from various manufacturers.
 - Installation connector systems are not a substitute for residential connector/socket systems.
 - WINSTA® MAXI Connectors are not intended for installation in open or easily accessible areas.

**Pluggable Connectors, 831 Series**

5-pole

Page

253

WINSTA® MAXI

Technical Data, 5-Pole

831 Series



Connection Data

Connection technology	Push-in CAGE CLAMP®
Solid conductor	0.5 ... 6 mm ² / 20 ... 8 AWG
Stranded conductor	0.5 ... 4 mm ² / 20 ... 12 AWG
Fine-stranded conductor	0.5 ... 6 mm ² / 20 ... 8 AWG
Strip length	13 mm / 0.51 inch (see also packaging or instructions)

Electrical Data

Rated voltage (III / 3)	
5-pole	400 V
Rated surge voltage (III / 3)	
5-pole	6 kV
Rated current	
5-pole	35 A
Clearances and creepage distances	≥ 5.5 mm to exposed surfaces (Protection Category II)
Contact resistance	approx. 1 mΩ contact resistance approx. 0.25 mΩ contact transition socket /plug
Number of potentials	
5-pole	5
Number of connection points	
5-pole	5

Mechanical Data

Mating cycles	100, without resistive load 50, with resistive load $I_N = 35$ A (6 mm ²)
Mating forces	20 ... 70 N (depending on pole number)
Unmating forces	20 ... 70 N (depending on pole number) when unlocked
Retention forces	> 80 N (locked)
Cable diameter	
5-pole	13 ... 18 mm
Protection type	IP2xC (with strain relief housing) Note: These compact connectors are not designed for use in open, easily accessible areas.
Processing temperature	-5 ... +40 °C
Continuous operating temperature	-35 ... ≤ +85 °C PVC cable ≤ +70 °C (incl. halogen-free) Insulating parts ≤ +105 °C

Mismating Protection

All WINSTA® components are 100 % protected against mismating when:

- Plugging different number of poles
- Plugging when rotated by 180°
- Plugging when laterally staggered
- Plugging one pole

Locking Levers

Sockets are factory-equipped with locking levers to ensure plugs and sockets are securely locked.

Material Data

Insulating parts	Polyamide (PA 66), halogen-free
Contacts	Copper or copper alloy, surface-treated
Clamping spring	Stainless steel (Cr-Ni)
Flammability class (per UL 94)	V0

Standards/Approvals

- UL
- CCA certificate

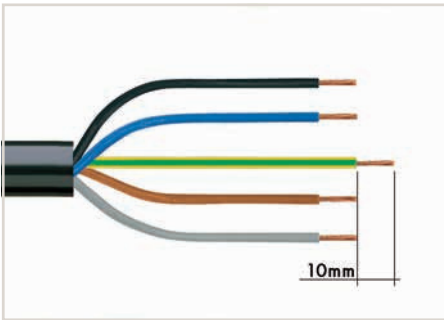
Approvals,
see www.wago.com

Coding Overview,
see page 360

WINSTA® MAXI

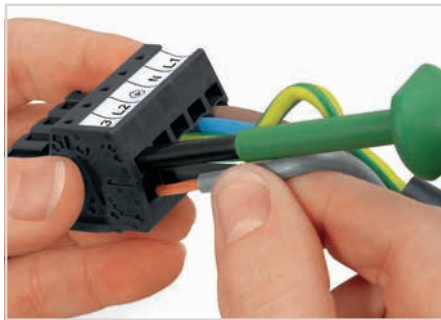
Description and Installation

831 Series



The following lengths are recommended:

1. Strip length, outer insulation = 80 mm
2. Strip length = 13 mm
3. Extended ground conductor = 10 mm



To terminate fine-stranded conductors, open the clamping unit via screwdriver (5.5 mm blade width) and insert stripped conductor until it hits backstop.



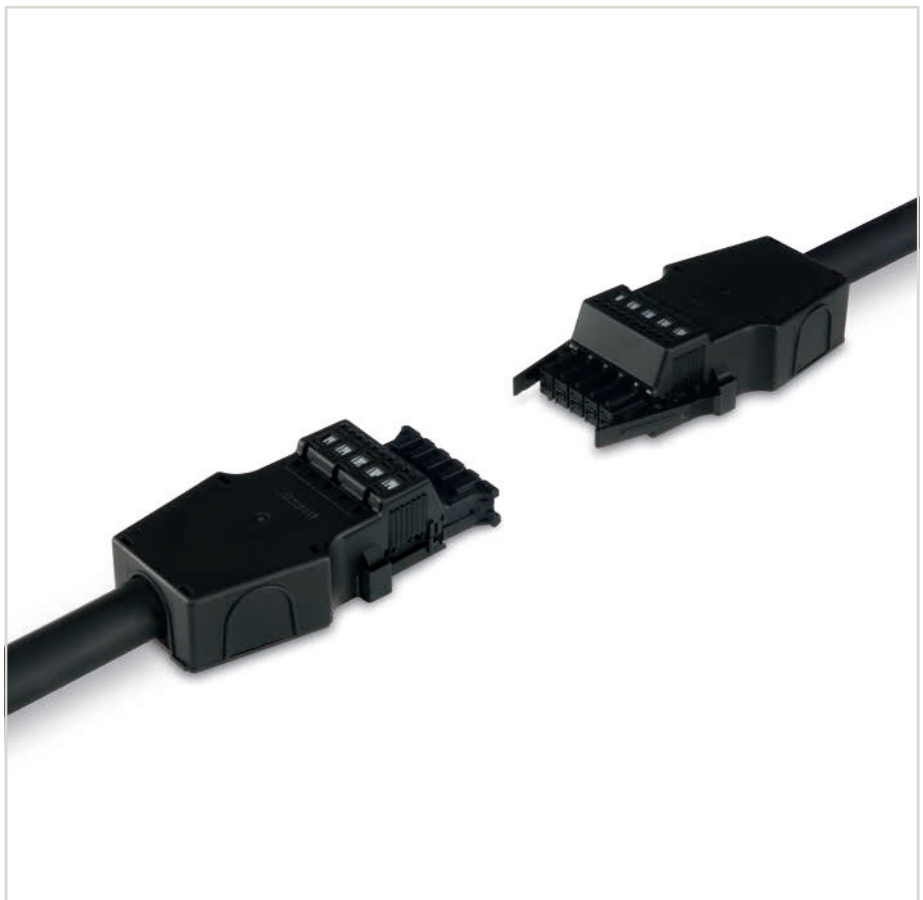
The printed marking of the connector is clearly visible in the openings of the strain relief housing.



Unscrew base of strain relief housing.



Snap wired connector onto the base.



Tighten strain relief using a screwdriver.



Wired connector fitted in base of strain relief housing.



Latch the top of the strain relief housing.

WINSTA® MAXI

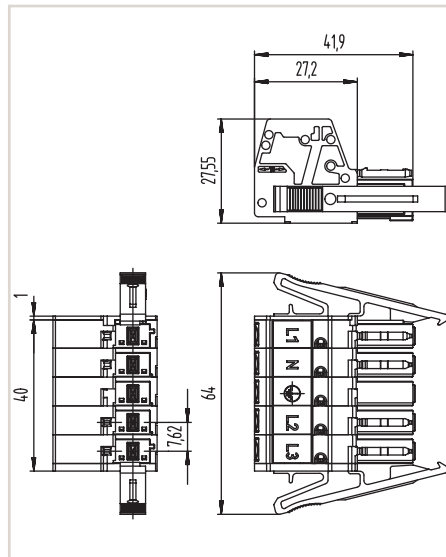
Sockets and Plugs, 5-Pole

831 Series

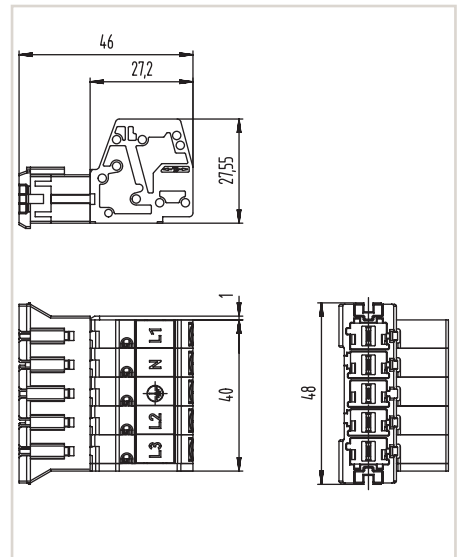
Conductor range	0.5 ... 6 mm ² / 20 ... 8 AWG
Rated voltage	400 V
Rated current	35 A
Strip length	13 mm / 0.51 inch



Dimensions (in mm):



Dimensions (in mm):



Socket, with strain relief housing,
for one cable, 13 ... 18 mm cable diameter,
80 mm strip length

Color	Item No.	Pack. Unit
● black	831-3105/1019-004	5
○ white	831-3105/1019-050	5

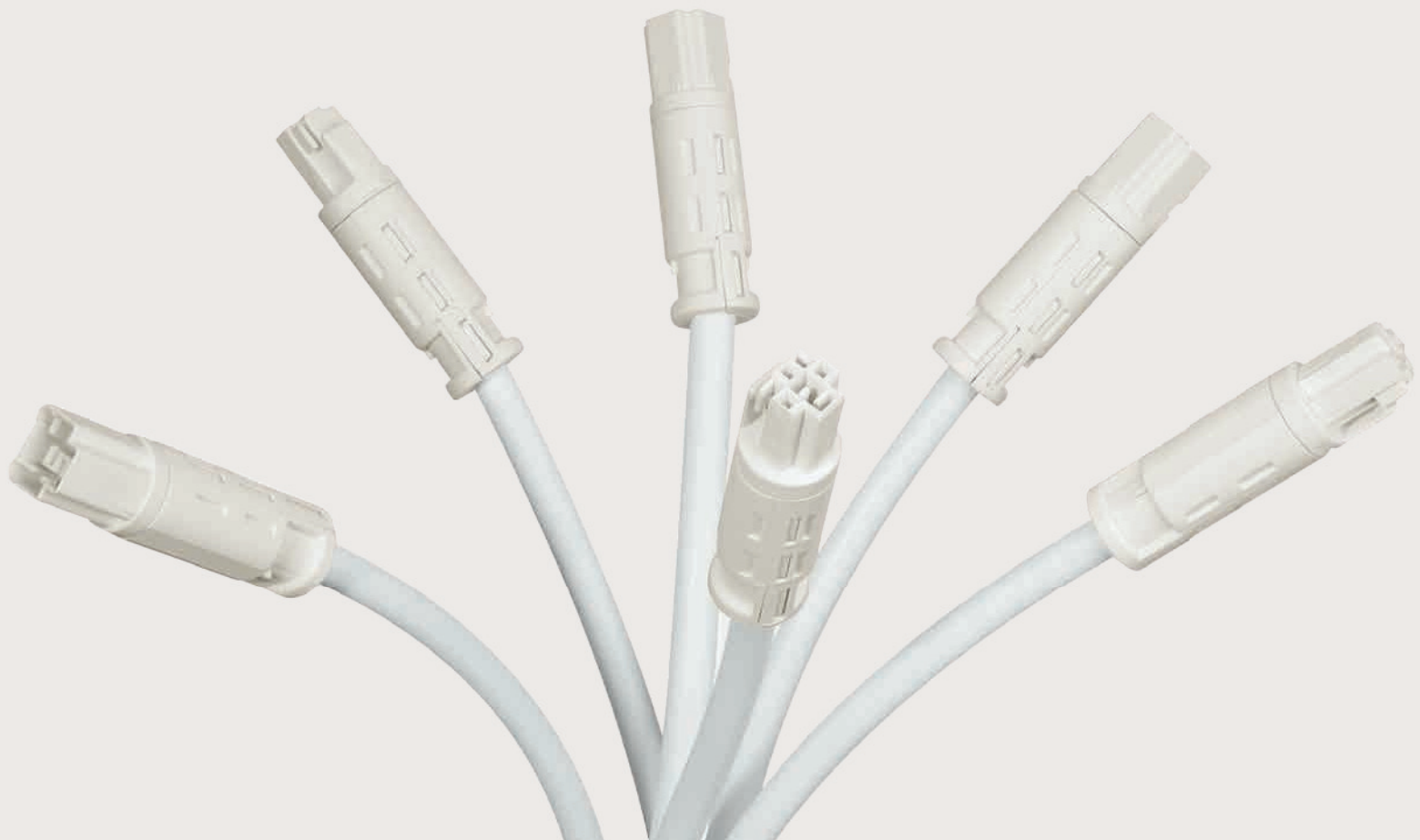
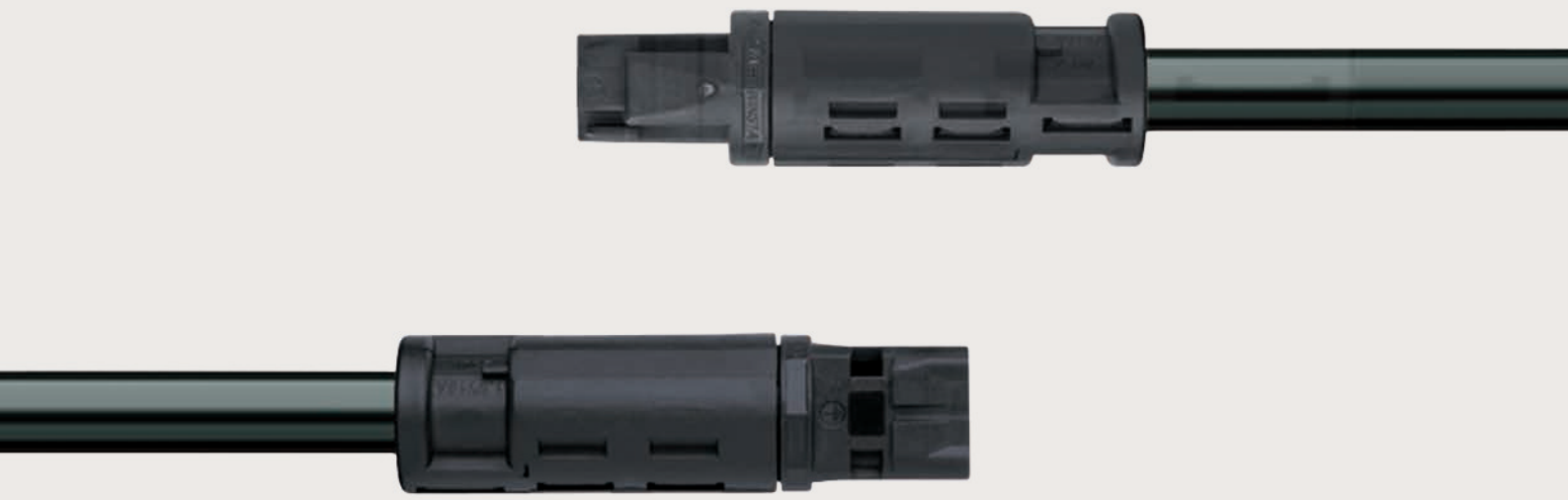
Plug, with strain relief housing,
for one cable, 13 ... 18 mm cable diameter,
80 mm strip length

Color	Item No.	Pack. Unit
● black	831-3205/1020-004	5
○ white	831-3205/1020-050	5

Approvals,
see www.wago.com

Coding Overview,
see page 360

Coding	Marking	Color
A	N ⊕ L1 L2 L3	● black
A	N ⊕ L1 L2 L3	○ white





WINSTA[®] RD

WINSTA® RD

2.5 mm² / 20 A

774 Series

- Note:**
- Installation connectors are designed for connection and disconnection while not under load.
 - There is no hazard-inducing interchangeability with systems based on IEC 60309, IEC 60320, IEC 60906 and with national connector and socket systems.
 - Compliance with the standards (IEC 61535) does not guarantee hazard-preventing, non-interchangeability with installation connector systems from various manufacturers.
 - Installation connector systems are not a substitute for residential connector/socket systems.
 - WINSTA® RD Connectors are not intended for installation in open or easily accessible areas.

	Page
	Cable Assemblies, 774 Series 3 x 1.5 mm ² 258 3 x 2.5 mm ² 263
	Cable Assemblies, 774 Series 4 x 1.5 mm ² 266
	Plug Adapters for Attema's Hollow-Wall Boxes, 774 Series 3-pole 268

WINSTA® RD

Technical Data, 3- to 4-Pole

774 Series



Electrical Data

Rated voltage (III / 3)	
3-pole	250 V
4-pole	250 V
Rated surge voltage (III / 3)	
3-pole	4 kV
4-pole	4 kV
Rated current	
3-pole	16 A (20 A for 2.5 mm ² cables)
4-pole	16 A
Clearances and creepage distances	≥ 5.5 mm to exposed surfaces (Protection Category II)
Contact resistance	approx. 1 mΩ contact resistance approx. 0.25 mΩ contact transition socket /plug
Conductor ends	9 mm / 0.35 inch, tip-bonded
Number of potentials	
3-pole	3
4-pole	4

Mechanical Data

Mating cycles	200, without resistive load 100, with resistive load $I_N = 20$ A (2.5 mm ²)
Mating forces	30 ... 70 N (depending on pole number)
Unmating forces	30 ... 70 N (depending on pole number) when unlocked
Retention forces	> 80 N (locked)
Protection type	IP2xC (with strain relief housing) Note: These compact connectors are not de- signed for use in open, easily accessible areas.
Processing temperature	-5 ... +40 °C
Continuous operating temperature	-35 ... ≤ +85 °C PVC cable ≤ +70 °C (incl. halogen-free) Insulating parts ≤ +105 °C

Mismating Protection

All WINSTA® components are 100 % protected against mismating when:

- Plugging different number of poles
- Plugging when rotated by 180°
- Plugging when laterally staggered

Locking Levers

Sockets are factory-equipped with locking levers.

Material Data

Insulating parts	Polyamide (PA 66), halogen-free
Contacts	Copper or copper alloy, surface-treated
Clamping spring	Stainless steel (Cr-Ni)
Flammability class (per UL 94)	V0

Standards/Approvals

- CCA certificate

Approvals,
see www.wago.com

Coding Overview,
see page 360

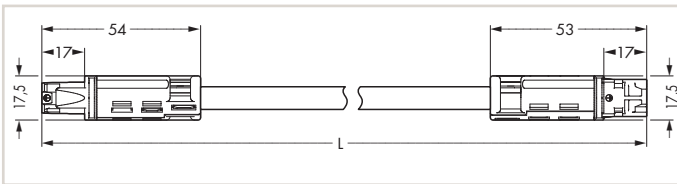
WINSTA® RD

Cable Assemblies, 3 x 1.5 mm², PVC

774 Series



Dimensions (in mm):

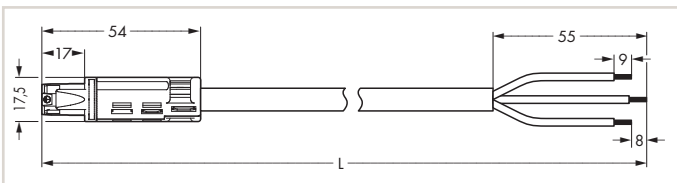


Rated voltage	250 V
Rated current	16 A
Strip length	9 mm / 0.35 inch
Conductor preparation	tip-bonded

Interconnecting cable, socket – plug, PVC, A-coding			
Length	● black	○ white	Pack. Unit
1 m	774-9993/006-101	774-9993/006-102	1
2 m	774-9993/006-201	774-9993/006-202	1
3 m	774-9993/006-301	774-9993/006-302	1
4 m	774-9993/006-401	774-9993/006-402	1
5 m	774-9993/006-501	774-9993/006-502	1
6 m	774-9993/006-601	774-9993/006-602	1
7 m	774-9993/006-701	774-9993/006-702	1
8 m	774-9993/006-801	774-9993/006-802	1



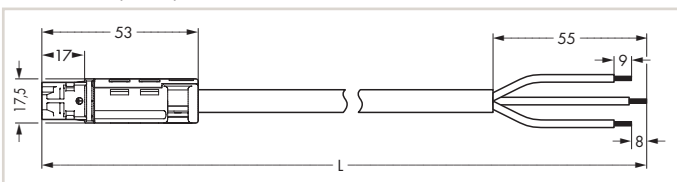
Dimensions (in mm):



Connecting cable, socket – free end, PVC, A-coding			
Length	● black	○ white	Pack. Unit
1 m	774-9993/106-101	774-9993/106-102	1
2 m	774-9993/106-201	774-9993/106-202	1
3 m	774-9993/106-301	774-9993/106-302	1
4 m	774-9993/106-401	774-9993/106-402	1
5 m	774-9993/106-501	774-9993/106-502	1
6 m	774-9993/106-601	774-9993/106-602	1
7 m	774-9993/106-701	774-9993/106-702	1
8 m	774-9993/106-801	774-9993/106-802	1



Dimensions (in mm):



Connecting cable, plug – free end, PVC, A-coding			
Length	● black	○ white	Pack. Unit
1 m	774-9993/206-101	774-9993/206-102	1
2 m	774-9993/206-201	774-9993/206-202	1
3 m	774-9993/206-301	774-9993/206-302	1
4 m	774-9993/206-401	774-9993/206-402	1
5 m	774-9993/206-501	774-9993/206-502	1
6 m	774-9993/206-601	774-9993/206-602	1
7 m	774-9993/206-701	774-9993/206-702	1
8 m	774-9993/206-801	774-9993/206-802	1

Additional cable lengths available upon request.

Approvals, see www.wago.com

Codings, see page 360

Coding

A

A

Marking

L ⊕ N

L ⊕ N

Color

● black

○ white

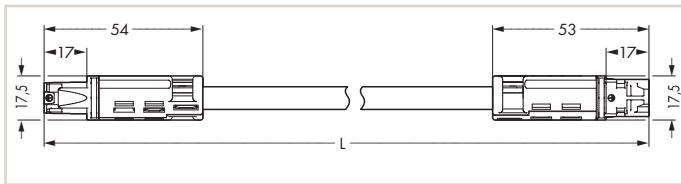
WINSTA® RD

Cable Assemblies, 3 x 1.5 mm², Halogen-Free

774 Series



Dimensions (in mm):



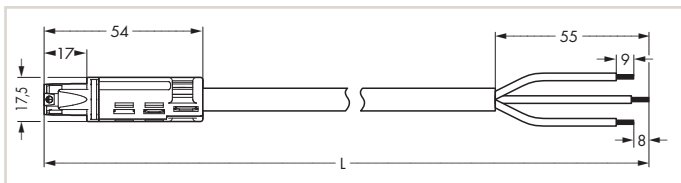
Rated voltage	250 V
Rated current	16 A
Strip length	9 mm / 0.35 inch
Conductor preparation	tip-bonded

Interconnecting cable, socket – plug, halogen-free, A-coding

Length	● black	○ white	Pack. Unit
1 m	774-9993/016-101	774-9993/016-102	1
2 m	774-9993/016-201	774-9993/016-202	1
3 m	774-9993/016-301	774-9993/016-302	1
4 m	774-9993/016-401	774-9993/016-402	1
5 m	774-9993/016-501	774-9993/016-502	1
6 m	774-9993/016-601	774-9993/016-602	1
7 m	774-9993/016-701	774-9993/016-702	1
8 m	774-9993/016-801	774-9993/016-802	1



Dimensions (in mm):

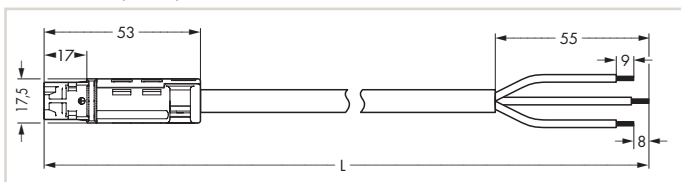


Connecting cable, socket – free end, halogen-free, A-coding

Length	● black	○ white	Pack. Unit
1 m	774-9993/116-101	774-9993/116-102	1
2 m	774-9993/116-201	774-9993/116-202	1
3 m	774-9993/116-301	774-9993/116-302	1
4 m	774-9993/116-401	774-9993/116-402	1
5 m	774-9993/116-501	774-9993/116-502	1
6 m	774-9993/116-601	774-9993/116-602	1
7 m	774-9993/116-701	774-9993/116-702	1
8 m	774-9993/116-801	774-9993/116-802	1



Dimensions (in mm):



Connecting cable, plug – free end, halogen-free, A-coding

Length	● black	○ white	Pack. Unit
1 m	774-9993/216-101	774-9993/216-102	1
2 m	774-9993/216-201	774-9993/216-202	1
3 m	774-9993/216-301	774-9993/216-302	1
4 m	774-9993/216-401	774-9993/216-402	1
5 m	774-9993/216-501	774-9993/216-502	1
6 m	774-9993/216-601	774-9993/216-602	1
7 m	774-9993/216-701	774-9993/216-702	1
8 m	774-9993/216-801	774-9993/216-802	1

Coding	Marking	Color
A	L ⊕ N	● black
A	L ⊕ N	○ white

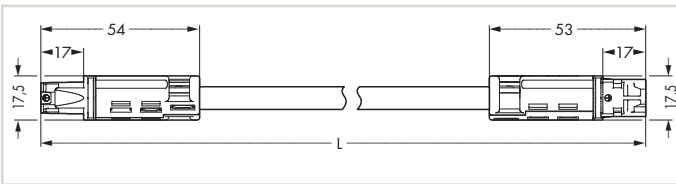
WINSTA® RD

Cable Assemblies, 3 x 1.5 mm², PVC

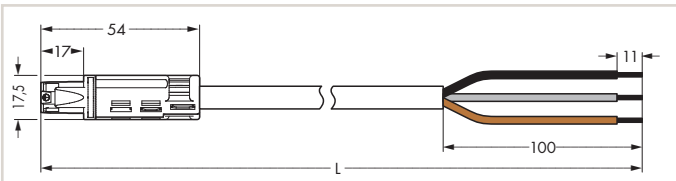
774 Series



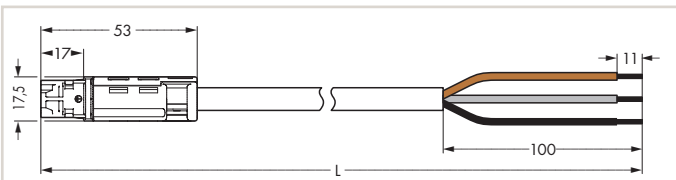
Dimensions (in mm):



Dimensions (in mm):



Dimensions (in mm):



Rated voltage	250 V
Rated current	16 A
Strip length	11 mm / 0.43 inch
Conductor preparation	tip-bonded

Interconnecting cable, socket with locking lever – plug, PVC, S-coding		
Length	● black	Pack. Unit
1 m	774-9973/006-105	1
2 m	774-9973/006-205	1
3 m	774-9973/006-305	1
4 m	774-9973/006-405	1
5 m	774-9973/006-505	1
6 m	774-9973/006-605	1
7 m	774-9973/006-705	1
8 m	774-9973/006-805	1

Connecting cable, socket with locking lever – free end, PVC, S-coding		
Length	● black	Pack. Unit
1 m	774-9973/106-105	1
2 m	774-9973/106-205	1
3 m	774-9973/106-305	1
4 m	774-9973/106-405	1
5 m	774-9973/106-505	1
6 m	774-9973/106-605	1
7 m	774-9973/106-705	1
8 m	774-9973/106-805	1

Connecting cable, plug – free end, PVC, S-coding		
Length	● black	Pack. Unit
1 m	774-9973/206-105	1
2 m	774-9973/206-205	1
3 m	774-9973/206-305	1
4 m	774-9973/206-405	1
5 m	774-9973/206-505	1
6 m	774-9973/206-605	1
7 m	774-9973/206-705	1
8 m	774-9973/206-805	1

Additional cable lengths available upon request.

Approvals, see www.wago.com

Codings, see page 360

Coding
S

Marking
1 2 L

Color
● brown

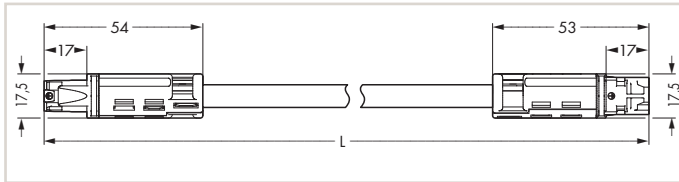
WINSTA® RD

Cable Assemblies, 3 x 1.5 mm², Halogen-Free

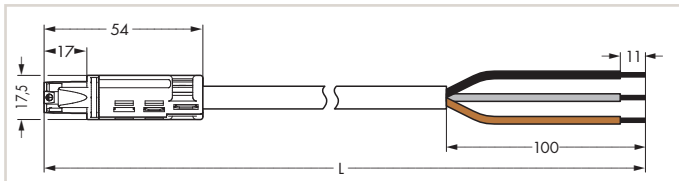
774 Series



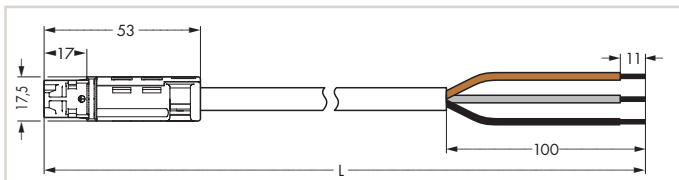
Dimensions (in mm):



Dimensions (in mm):



Dimensions (in mm):



Rated voltage	250 V
Rated current	16 A
Strip length	11 mm / 0.43 inch
Conductor preparation	tip-bonded

Interconnecting cable,
socket with locking lever – plug, halogen-free, S-coding

Length	● black	Pack. Unit
1 m	774-9973/016-105	1
2 m	774-9973/016-205	1
3 m	774-9973/016-305	1
4 m	774-9973/016-405	1
5 m	774-9973/016-505	1
6 m	774-9973/016-605	1
7 m	774-9973/016-705	1
8 m	774-9973/016-805	1

Connecting cable,
socket with locking lever – free end,
halogen-free, S-coding

Length	● black	Pack. Unit
1 m	774-9973/116-105	1
2 m	774-9973/116-205	1
3 m	774-9973/116-305	1
4 m	774-9973/116-405	1
5 m	774-9973/116-505	1
6 m	774-9973/116-605	1
7 m	774-9973/116-705	1
8 m	774-9973/116-805	1

Connecting cable,
plug – free end, halogen-free, S-coding

Length	● black	Pack. Unit
1 m	774-9973/216-105	1
2 m	774-9973/216-205	1
3 m	774-9973/216-305	1
4 m	774-9973/216-405	1
5 m	774-9973/216-505	1
6 m	774-9973/216-605	1
7 m	774-9973/216-705	1
8 m	774-9973/216-805	1

Coding

S

Marking

1 2 L

Color

● brown

WINSTA® RD

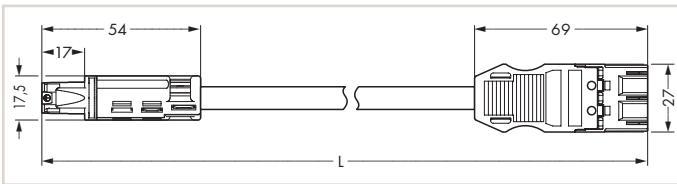
Cable Assemblies, 3 x 1.5 mm²

774 Series

Rated voltage	250 V
Rated current	16 A



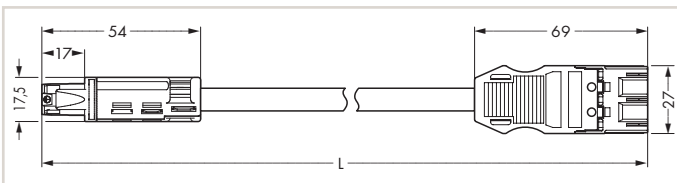
Dimensions (in mm):



Adapter cable, RD socket – MIDI plug, PVC, S-coding		
Length	● black	Pack. Unit
1 m	774-9973/1506-101	1
2 m	774-9973/1506-201	1
3 m	774-9973/1506-301	1
4 m	774-9973/1506-401	1
5 m	774-9973/1506-501	1
6 m	774-9973/1506-601	1
7 m	774-9973/1506-701	1
8 m	774-9973/1506-801	1



Dimensions (in mm):



Connecting cable, RD socket – MIDI plug, halogen-free, S-coding		
Length	● black	Pack. Unit
1 m	774-9973/1516-101	1
2 m	774-9973/1516-201	1
3 m	774-9973/1516-301	1
4 m	774-9973/1516-401	1
5 m	774-9973/1516-501	1
6 m	774-9973/1516-601	1
7 m	774-9973/1516-701	1
8 m	774-9973/1516-801	1

7

Additional cable lengths available upon request.

Approvals, see www.wago.com

Codings, see page 360

Coding	Marking	Color
S	1 2 L	● brown

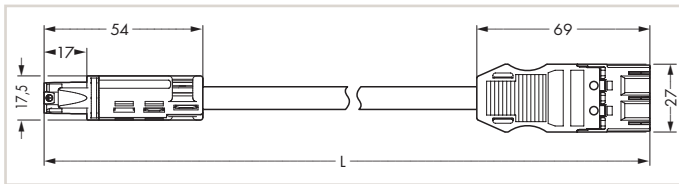
WINSTA® RD

Cable Assemblies, 3 x 2.5 mm²

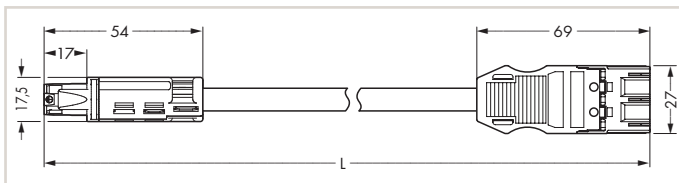
774 Series



Dimensions (in mm):



Dimensions (in mm):



Rated voltage	250 V
Rated current	20 A

Adapter cable, RD socket – MIDI plug, PVC, A-coding

Length	● black	Pack. Unit
1 m	774-9993/1507-101	1
2 m	774-9993/1507-201	1
3 m	774-9993/1507-301	1
4 m	774-9993/1507-401	1
5 m	774-9993/1507-501	1
6 m	774-9993/1507-601	1
7 m	774-9993/1507-701	1
8 m	774-9993/1507-801	1

Connecting cable, RD socket – MIDI plug, halogen-free, A-coding

Length	● black	Pack. Unit
1 m	774-9993/1517-101	1
2 m	774-9993/1517-201	1
3 m	774-9993/1517-301	1
4 m	774-9993/1517-401	1
5 m	774-9993/1517-501	1
6 m	774-9993/1517-601	1
7 m	774-9993/1517-701	1
8 m	774-9993/1517-801	1

Coding	Marking	Color
A	L ⊕ N	● black

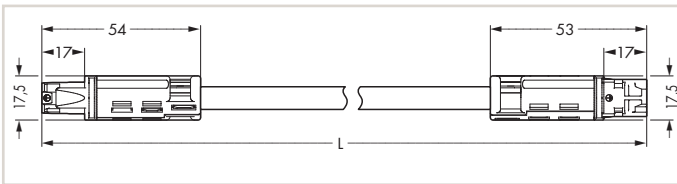
WINSTA® RD

Cable Assemblies, 3 x 2.5 mm², PVC

774 Series



Dimensions (in mm):

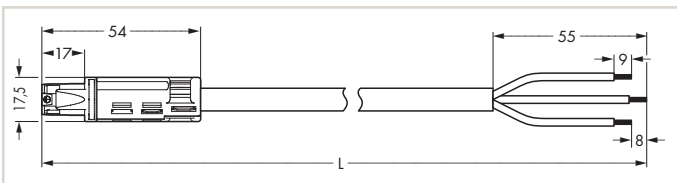


Rated voltage	250 V
Rated current	20 A
Strip length	9 mm / 0.35 inch
Conductor preparation	tip-bonded

Interconnecting cable, socket – plug, PVC, A-coding			
Length	● black	○ white	Pack. Unit
1 m	774-9993/007-101	774-9993/007-102	1
2 m	774-9993/007-201	774-9993/007-202	1
3 m	774-9993/007-301	774-9993/007-302	1
4 m	774-9993/007-401	774-9993/007-402	1
5 m	774-9993/007-501	774-9993/007-502	1
6 m	774-9993/007-601	774-9993/007-602	1
7 m	774-9993/007-701	774-9993/007-702	1
8 m	774-9993/007-801	774-9993/007-802	1



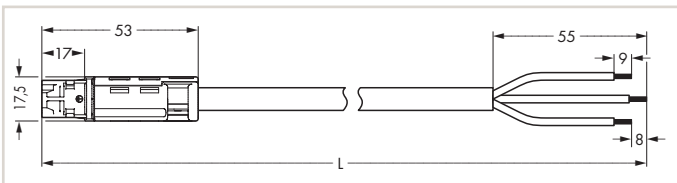
Dimensions (in mm):



Connecting cable, socket – free end, PVC, A-coding			
Length	● black	○ white	Pack. Unit
1 m	774-9993/107-101	774-9993/107-102	1
2 m	774-9993/107-201	774-9993/107-202	1
3 m	774-9993/107-301	774-9993/107-302	1
4 m	774-9993/107-401	774-9993/107-402	1
5 m	774-9993/107-501	774-9993/107-502	1
6 m	774-9993/107-601	774-9993/107-602	1
7 m	774-9993/107-701	774-9993/107-702	1
8 m	774-9993/107-801	774-9993/107-802	1



Dimensions (in mm):



Connecting cable, plug – free end, PVC, A-coding			
Length	● black	○ white	Pack. Unit
1 m	774-9993/207-101	774-9993/207-102	1
2 m	774-9993/207-201	774-9993/207-202	1
3 m	774-9993/207-301	774-9993/207-302	1
4 m	774-9993/207-401	774-9993/207-402	1
5 m	774-9993/207-501	774-9993/207-502	1
6 m	774-9993/207-601	774-9993/207-602	1
7 m	774-9993/207-701	774-9993/207-702	1
8 m	774-9993/207-801	774-9993/207-802	1

Additional cable lengths available upon request.

Approvals, see www.wago.com
Codings, see page 360

Coding	Marking	Color
A	L ⊕ N	● black
A	L ⊕ N	○ white

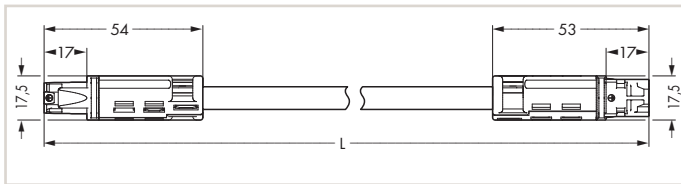
WINSTA® RD

Cable Assemblies, 3 x 2.5 mm², Halogen-Free

774 Series



Dimensions (in mm):

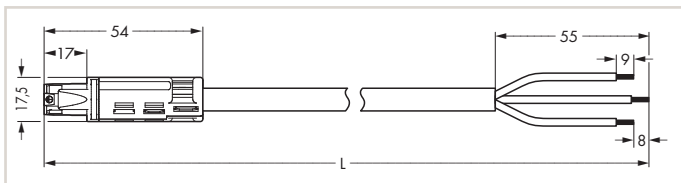


Rated voltage	250 V
Rated current	20 A
Strip length	9 mm / 0.35 inch
Conductor preparation	tip-bonded

Interconnecting cable, socket – plug, halogen-free, A-coding			
Length	● black	○ white	Pack. Unit
1 m	774-9993/017-101	774-9993/017-102	1
2 m	774-9993/017-201	774-9993/017-202	1
3 m	774-9993/017-301	774-9993/017-302	1
4 m	774-9993/017-401	774-9993/017-402	1
5 m	774-9993/017-501	774-9993/017-502	1
6 m	774-9993/017-601	774-9993/017-602	1
7 m	774-9993/017-701	774-9993/017-702	1
8 m	774-9993/017-801	774-9993/017-802	1



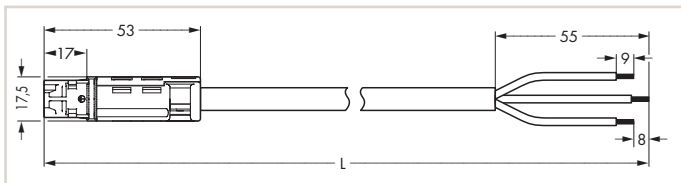
Dimensions (in mm):



Connecting cable, socket – free end, halogen-free, A-coding			
Length	● black	○ white	Pack. Unit
1 m	774-9993/117-101	774-9993/117-102	1
2 m	774-9993/117-201	774-9993/117-202	1
3 m	774-9993/117-301	774-9993/117-302	1
4 m	774-9993/117-401	774-9993/117-402	1
5 m	774-9993/117-501	774-9993/117-502	1
6 m	774-9993/117-601	774-9993/117-602	1
7 m	774-9993/117-701	774-9993/117-702	1
8 m	774-9993/117-801	774-9993/117-802	1



Dimensions (in mm):



Connecting cable, plug – free end, halogen-free, A-coding			
Length	● black	○ white	Pack. Unit
1 m	774-9993/217-101	774-9993/217-102	1
2 m	774-9993/217-201	774-9993/217-202	1
3 m	774-9993/217-301	774-9993/217-302	1
4 m	774-9993/217-401	774-9993/217-402	1
5 m	774-9993/217-501	774-9993/217-502	1
6 m	774-9993/217-601	774-9993/217-602	1
7 m	774-9993/217-701	774-9993/217-702	1
8 m	774-9993/217-801	774-9993/217-802	1

Coding	Marking	Color
A	L ⊕ N	● black
A	L ⊕ N	○ white

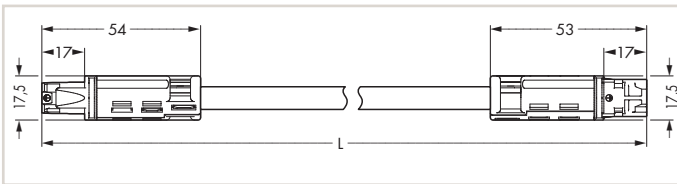
WINSTA® RD

Cable Assemblies, 4 x 1.5 mm², PVC

774 Series



Dimensions (in mm):

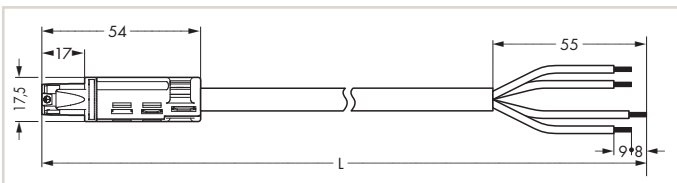


Rated voltage	250 V
Rated current	16 A
Strip length	9 mm / 0.35 inch
Conductor preparation	tip-bonded

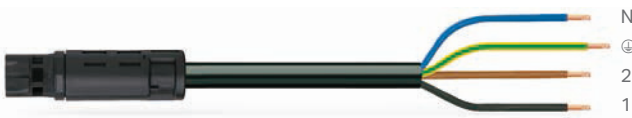
Interconnecting cable, socket – plug, PVC, A-coding			
Length	● black	○ white	Pack. Unit
1 m	774-9994/006-101	774-9994/006-102	1
2 m	774-9994/006-201	774-9994/006-202	1
3 m	774-9994/006-301	774-9994/006-302	1
4 m	774-9994/006-401	774-9994/006-402	1
5 m	774-9994/006-501	774-9994/006-502	1
6 m	774-9994/006-601	774-9994/006-602	1
7 m	774-9994/006-701	774-9994/006-702	1
8 m	774-9994/006-801	774-9994/006-802	1



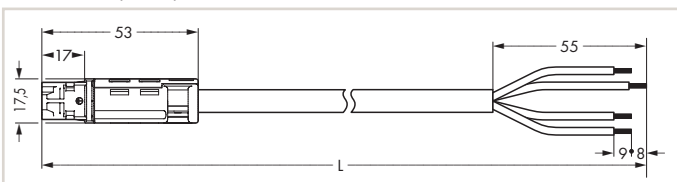
Dimensions (in mm):



Connecting cable, socket – free end, PVC, A-coding			
Length	● black	○ white	Pack. Unit
1 m	774-9994/106-101	774-9994/106-102	1
2 m	774-9994/106-201	774-9994/106-202	1
3 m	774-9994/106-301	774-9994/106-302	1
4 m	774-9994/106-401	774-9994/106-402	1
5 m	774-9994/106-501	774-9994/106-502	1
6 m	774-9994/106-601	774-9994/106-602	1
7 m	774-9994/106-701	774-9994/106-702	1
8 m	774-9994/106-801	774-9994/106-802	1



Dimensions (in mm):



Connecting cable, plug – free end, PVC, A-coding			
Length	● black	○ white	Pack. Unit
1 m	774-9994/206-101	774-9994/206-102	1
2 m	774-9994/206-201	774-9994/206-202	1
3 m	774-9994/206-301	774-9994/206-302	1
4 m	774-9994/206-401	774-9994/206-402	1
5 m	774-9994/206-501	774-9994/206-502	1
6 m	774-9994/206-601	774-9994/206-602	1
7 m	774-9994/206-701	774-9994/206-702	1
8 m	774-9994/206-801	774-9994/206-802	1

Additional cable lengths available upon request.

Approvals, see www.wago.com
Codings, see page 360

Coding	Marking	Color
A	N ⊕ 2 1	● black
A	N ⊕ 2 1	○ white

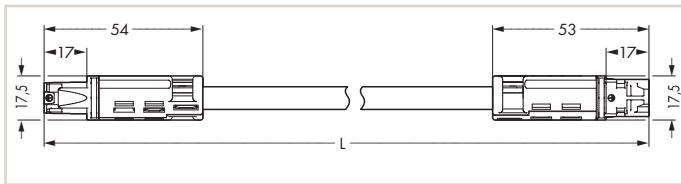
WINSTA® RD

Cable Assemblies, 4 x 1.5 mm², Halogen-Free

774 Series



Dimensions (in mm):

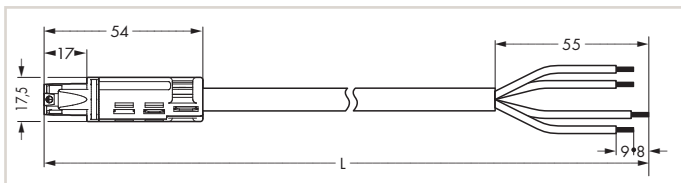


Rated voltage	250 V
Rated current	16 A
Strip length	9 mm / 0.35 inch
Conductor preparation	tip-bonded

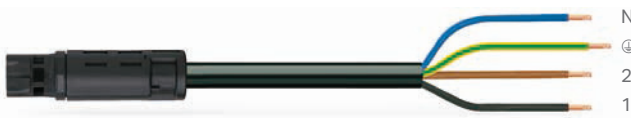
Interconnecting cable, socket – plug, halogen-free, A-coding			
Length	● black	○ white	Pack. Unit
1 m	774-9994/016-101	774-9994/016-102	1
2 m	774-9994/016-201	774-9994/016-202	1
3 m	774-9994/016-301	774-9994/016-302	1
4 m	774-9994/016-401	774-9994/016-402	1
5 m	774-9994/016-501	774-9994/016-502	1
6 m	774-9994/016-601	774-9994/016-602	1
7 m	774-9994/016-701	774-9994/016-702	1
8 m	774-9994/016-801	774-9994/016-802	1



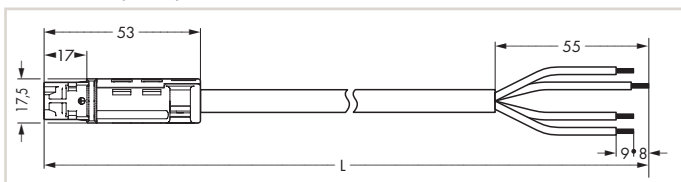
Dimensions (in mm):



Connecting cable, socket – free end, halogen-free, A-coding			
Length	● black	○ white	Pack. Unit
1 m	774-9994/116-101	774-9994/116-102	1
2 m	774-9994/116-201	774-9994/116-202	1
3 m	774-9994/116-301	774-9994/116-302	1
4 m	774-9994/116-401	774-9994/116-402	1
5 m	774-9994/116-501	774-9994/116-502	1
6 m	774-9994/116-601	774-9994/116-602	1
7 m	774-9994/116-701	774-9994/116-702	1
8 m	774-9994/116-801	774-9994/116-802	1



Dimensions (in mm):



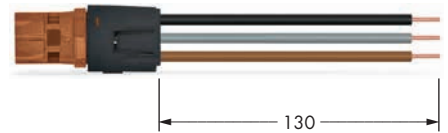
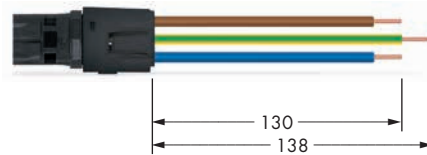
Connecting cable, plug – free end, halogen-free, A-coding			
Length	● black	○ white	Pack. Unit
1 m	774-9994/216-101	774-9994/216-102	1
2 m	774-9994/216-201	774-9994/216-202	1
3 m	774-9994/216-301	774-9994/216-302	1
4 m	774-9994/216-401	774-9994/216-402	1
5 m	774-9994/216-501	774-9994/216-502	1
6 m	774-9994/216-601	774-9994/216-602	1
7 m	774-9994/216-701	774-9994/216-702	1
8 m	774-9994/216-801	774-9994/216-802	1

Coding	Marking	Color
A	N ⊕ 2 1	● black
A	N ⊕ 2 1	○ white

WINSTA® RD

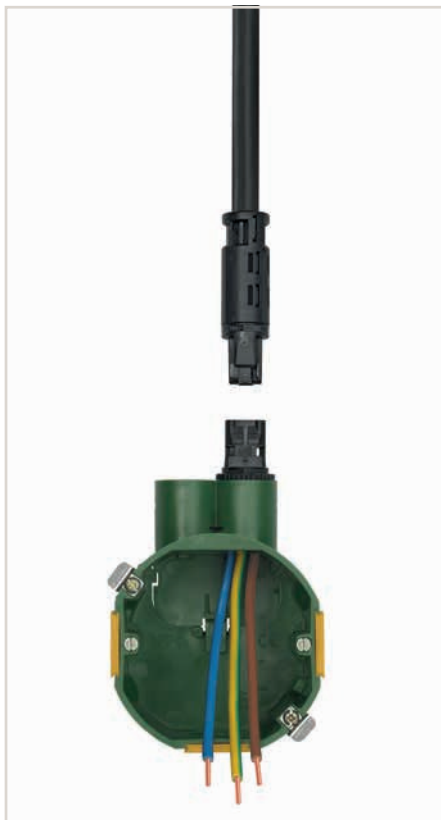
Plug Adapters for Attema's Hollow-Wall Boxes, 3-Pole 774 Series

Rated voltage	250 V
Rated current	20 A
Strip length	16 mm / 0.63 inch



Plug adapter, for power outlets, A-coding		
Color	Item No.	Pack. Unit
● black	774-213/9900-0000	10

Plug adapter, for switches, S-coding		
Color	Item No.	Pack. Unit
● black	774-1373/9900-0000	10



These plug adapters are designed for Attema's hollow-wall boxes. They permit complete preassembly of switches and power outlets, allowing them to be plugged on site via WINSTA® RD Connectors. This relocates the wiring of switches and outlets from the construction site to the factory, simplifying on-site installation and minimizing installation time.

Approvals, see www.wago.com
Codings, see page 360

Coding	Marking	Color
A	L ⊕ N	● black
S	1 2 L	● brown





7



WINSTA[®] KNX

WINSTA® KNX
0.8 mm Ø / 3 A
893 / 894 Series

- Note:
- Installation connectors are not designed for connection/disconnection while under load.
 - There is no hazard-inducing interchangeability with systems based on IEC 60309, IEC 60320, IEC 60906 and with national connector and socket systems.
 - Installation connector systems are not a substitute for residential connector/socket systems.
 - WINSTA® KNX Connectors are not intended for installation in open or easily accessible areas.

	Page
	Pluggable Connectors, 893 Series 2-pole 275
	Snap-In Device Connectors, 893 Series 2-pole 276
	T-Distribution Connectors, 893 Series 2-pole 277
	Cable Assemblies, 894 Series 2 x 0.8 mm Ø 278

WINSTA® KNX

Technical Data, 2-Pole

893 / 894 Series



Connection Data

Connection technology	PUSH WIRE®
Solid conductor	0.8 mm Ø
Strip length	9 mm / 0.35 inch (see also packaging or instructions)

Electrical Data

Rated voltage (III / 3)	
2-pole	50 V
Rated surge voltage (III / 3)	
2-pole	0.8 kV
Rated current	
2-pole	3 A
Clearances and creepage distances	≥ 5.5 mm
Contact resistance	approx. 3 mΩ
Number of potentials	
2-pole	2

Mechanical Data

Mating cycles	200
Mating forces	10 ... 15 N
Unmating forces	15 ... 20 N (unlocked)
Protection type	IP20 (with strain relief housing) Note: These compact connectors are not designed for use in open, easily accessible areas.
Processing temperature	-5 ... +40 °C
Continuous operating temperature	-35 ... ≤ +85 °C PVC cable ≤ +70 °C (incl. halogen-free) Insulating parts ≤ +105 °C

Material Data

Insulating parts	Polyamide (PA 66), halogen-free
Contacts	Copper or copper alloy, surface-treated
Clamping spring	Stainless steel (Cr-Ni)
Flammability class (per UL 94)	V0

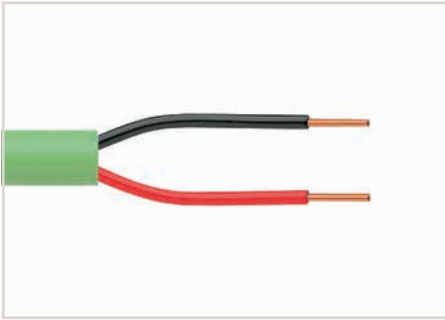
Standards/Approvals

- EIB/KNX manual

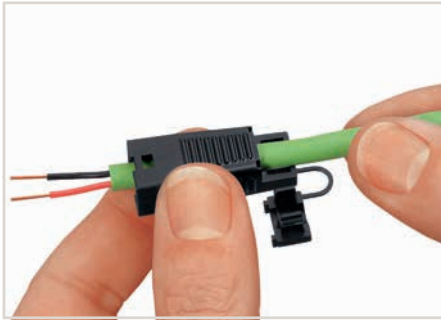
WINSTA® KNX

Description and Installation

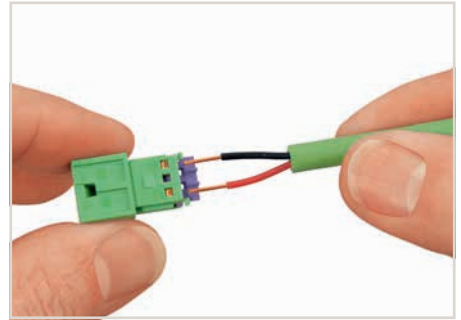
893 / 894 Series



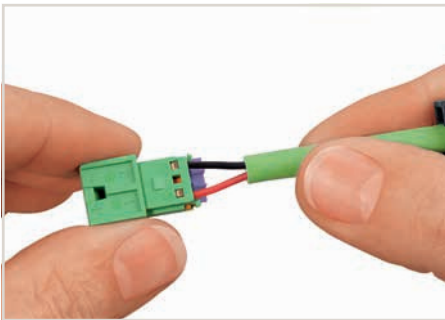
1. Strip length, outer insulation = 23 mm
2. Strip length = 9 mm



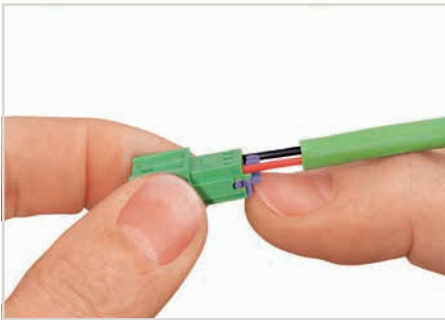
Prior to termination, pull the strain relief housing over the cable.



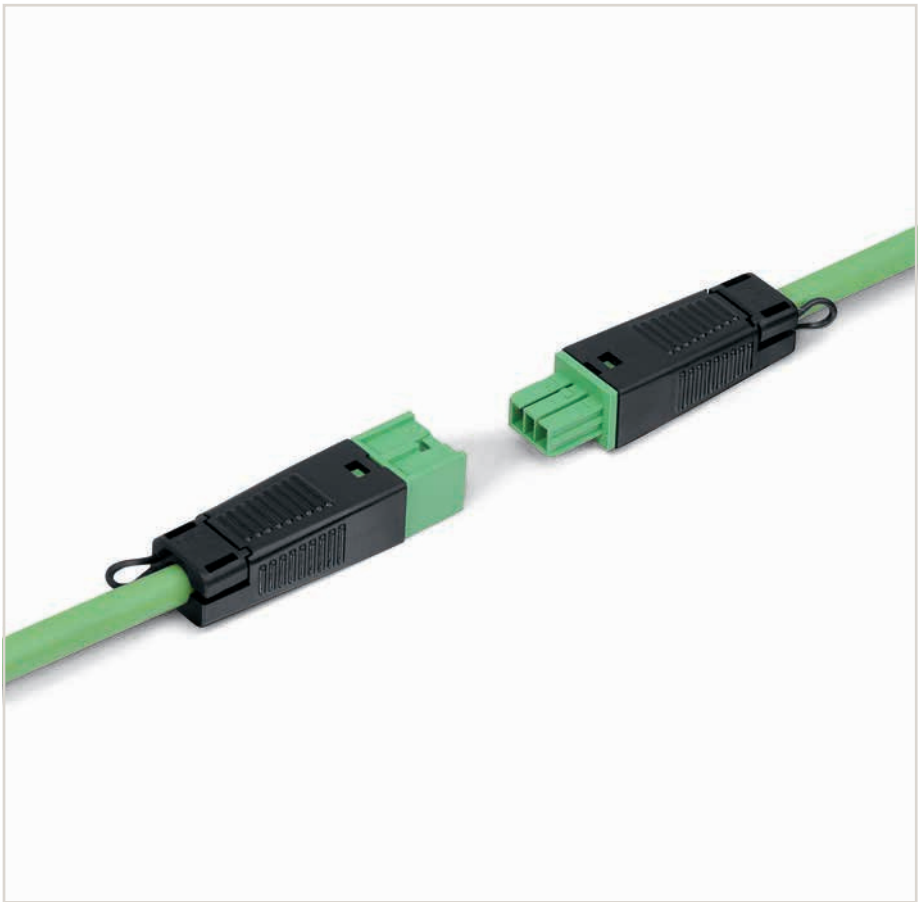
Insert stripped conductors directly into the conductor entries.



Push conductors until they hit backstop.



To disconnect, open clamping unit using the actuator and pull out the conductor.



8



Snap wired connector into the strain relief housing.



Press strain relief firmly on the cable.



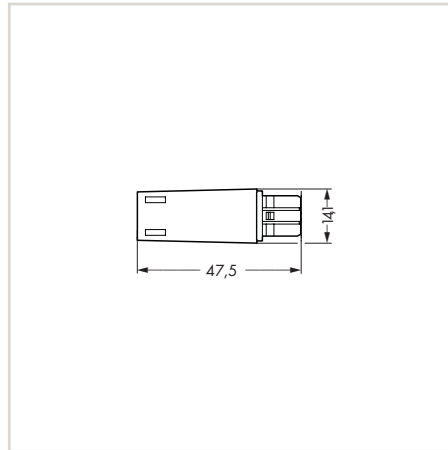
Pre-assembled KNX connector

WINSTA® KNX Sockets and Plugs, 2-Pole 893 Series

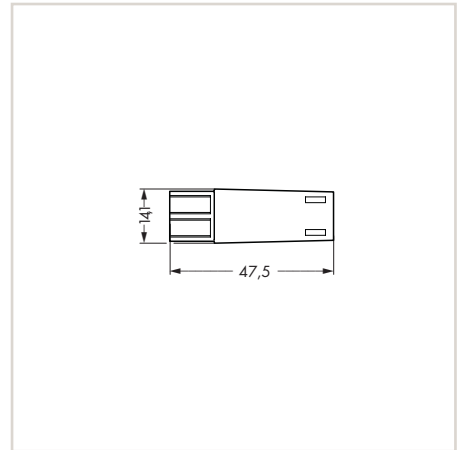
Conductor cross section	0.8 mm Ø
Rated voltage	50 V
Rated current	3 A
Strip length	9 mm / 0.35 inch



Dimensions (in mm):



Dimensions (in mm):



Socket, with strain relief housing, for 5 ... 7 mm cable diameter, 23 mm strip length		
Color	Item No.	Pack. Unit
● green	893-1002	50
○ light gray	893-1022	50

Plug, with strain relief housing, for 5 ... 7 mm cable diameter, 23 mm strip length		
Color	Item No.	Pack. Unit
● green	893-1012	50
○ light gray	893-1032	50

Approvals, see www.wago.com
Coding Overview, see page 360

Coding	Marking	Color
E	1+ 2-	● green
F	1+ 2-	○ light gray

WINSTA® KNX

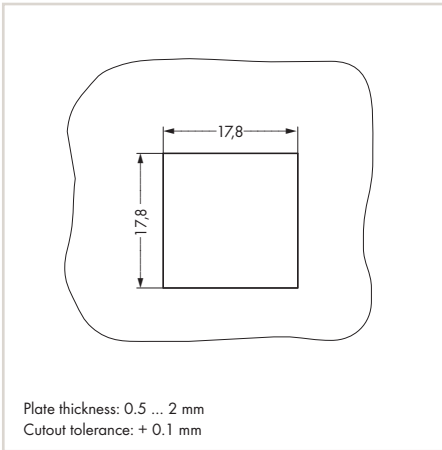
Snap-In Sockets and Plugs, 2-Pole

893 Series

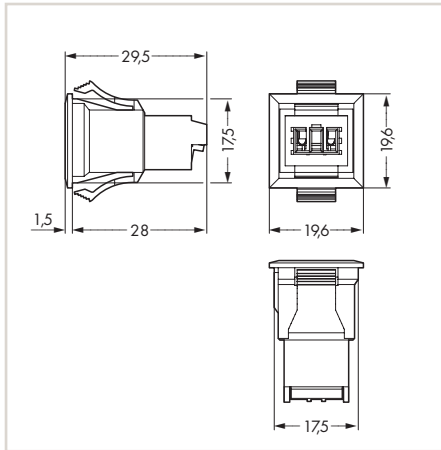
Conductor cross section	0.8 mm Ø
Rated voltage	50 V
Rated current	3 A
Strip length	9 mm / 0.35 inch



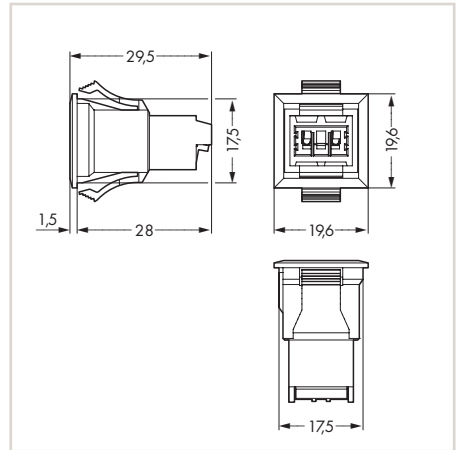
Dimensions (in mm):



Dimensions (in mm):



Dimensions (in mm):



Socket, for KNX applications		
Color	Item No.	Pack. Unit
● green	893-2002	50

Plug, for KNX applications		
Color	Item No.	Pack. Unit
● green	893-2012	50

Socket, with special coding		
Color	Item No.	Pack. Unit
○ light gray	893-2022	50

Plug, with special coding		
Color	Item No.	Pack. Unit
○ light gray	893-2032	50

Approvals, see www.wago.com

Coding Overview, see page 360

Coding	Marking	Color
E	1+ 2-	● green
F	1+ 2-	○ light gray

WINSTA® KNX T-Distribution Connectors, 2-Pole 893 Series

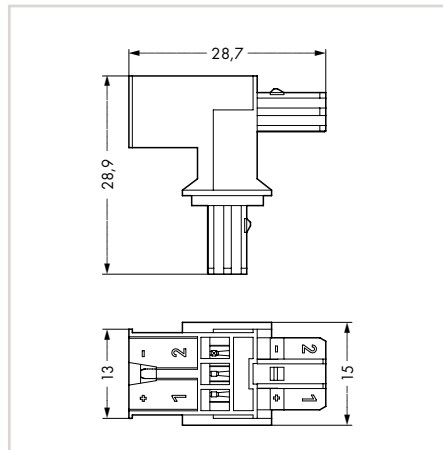


"Flying leads" using a T-distribution connector

Conductor cross section	0.8 mm Ø
Rated voltage	50 V
Rated current	3 A



Dimensions (in mm):



T-distribution connector, 1 x plug/2 x socket,
for KNX applications

Color	Item No.	Pack. Unit
● green	893-1606	25

T-distribution connector, 1 x plug/2 x socket,
with special coding

Color	Item No.	Pack. Unit
○ light gray	893-1656	25

Coding	Marking	Color
E	1+ 2-	● green
F	1+ 2-	○ light gray

WINSTA® KNX

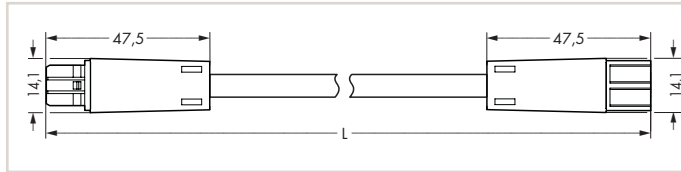
Cable Assemblies, 2 x 2 x 0.8 mm Ø

894 Series

Conductor cross section	0.8 mm Ø
Rated voltage	50 V
Rated current	3 A
Strip length	9 mm / 0.35 inch



Dimensions (in mm):

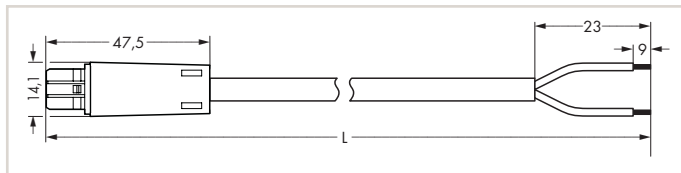


Interconnecting cable, socket – plug, PVC, E-coding		
Length	Color	Pack. Unit
1 m	● green	894-8992/033-106
3 m	● green	894-8992/033-306
5 m	● green	894-8992/033-506

Interconnecting cable, socket – plug, halogen-free, E-coding		
Length	Color	Pack. Unit
1 m	● green	894-8992/023-106
3 m	● green	894-8992/023-306
5 m	● green	894-8992/023-506



Dimensions (in mm):

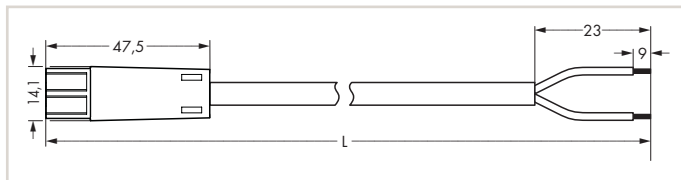


Connecting cable, socket – free end, PVC, E-coding		
Length	Color	Pack. Unit
1 m	● green	894-8992/133-106
3 m	● green	894-8992/133-306
5 m	● green	894-8992/133-506

Connecting cable, socket – free end, halogen-free, E-coding		
Length	Color	Pack. Unit
1 m	● green	894-8992/123-106
3 m	● green	894-8992/123-306
5 m	● green	894-8992/123-506



Dimensions (in mm):



Connecting cable, plug – free end, PVC, E-coding		
Length	Color	Pack. Unit
1 m	● green	894-8992/233-106
3 m	● green	894-8992/233-306
5 m	● green	894-8992/233-506

Connecting cable, plug – free end, halogen-free, E-coding		
Length	Color	Pack. Unit
1 m	● green	894-8992/223-106
3 m	● green	894-8992/223-306
5 m	● green	894-8992/223-506

Additional cable lengths available upon request.

Approvals, see www.wago.com

Coding Overview, see page 360

Coding	Marking	Color
E	1+ 2-	● green

WINSTA® KNX

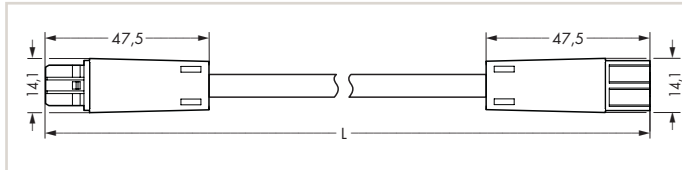
Cable Assemblies, 2 x 2 x 0.8 mm Ø

894 Series

Conductor cross section	0.8 mm Ø
Rated voltage	50 V
Rated current	3 A
Strip length	9 mm / 0.35 inch



Dimensions (in mm):

Interconnecting cable,
socket – plug, PVC, F-coding

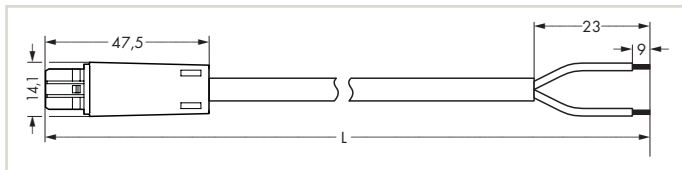
Length	○ light gray	Pack. Unit
1 m	894-8992/033-107	1
3 m	894-8992/033-307	1
5 m	894-8992/033-507	1

Interconnecting cable,
socket – plug, halogen-free, F-coding

Length	○ light gray	Pack. Unit
1 m	894-8992/023-107	1
3 m	894-8992/023-307	1
5 m	894-8992/023-507	1



Dimensions (in mm):

Connecting cable,
socket – free end, PVC, F-coding

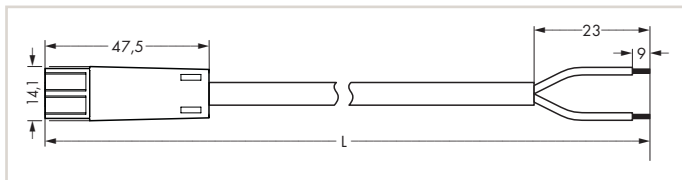
Length	○ light gray	Pack. Unit
1 m	894-8992/133-107	1
3 m	894-8992/133-307	1
5 m	894-8992/133-507	1

Connecting cable,
socket – free end, halogen-free, F-coding

Length	○ light gray	Pack. Unit
1 m	894-8992/123-107	1
3 m	894-8992/123-307	1
5 m	894-8992/123-507	1



Dimensions (in mm):

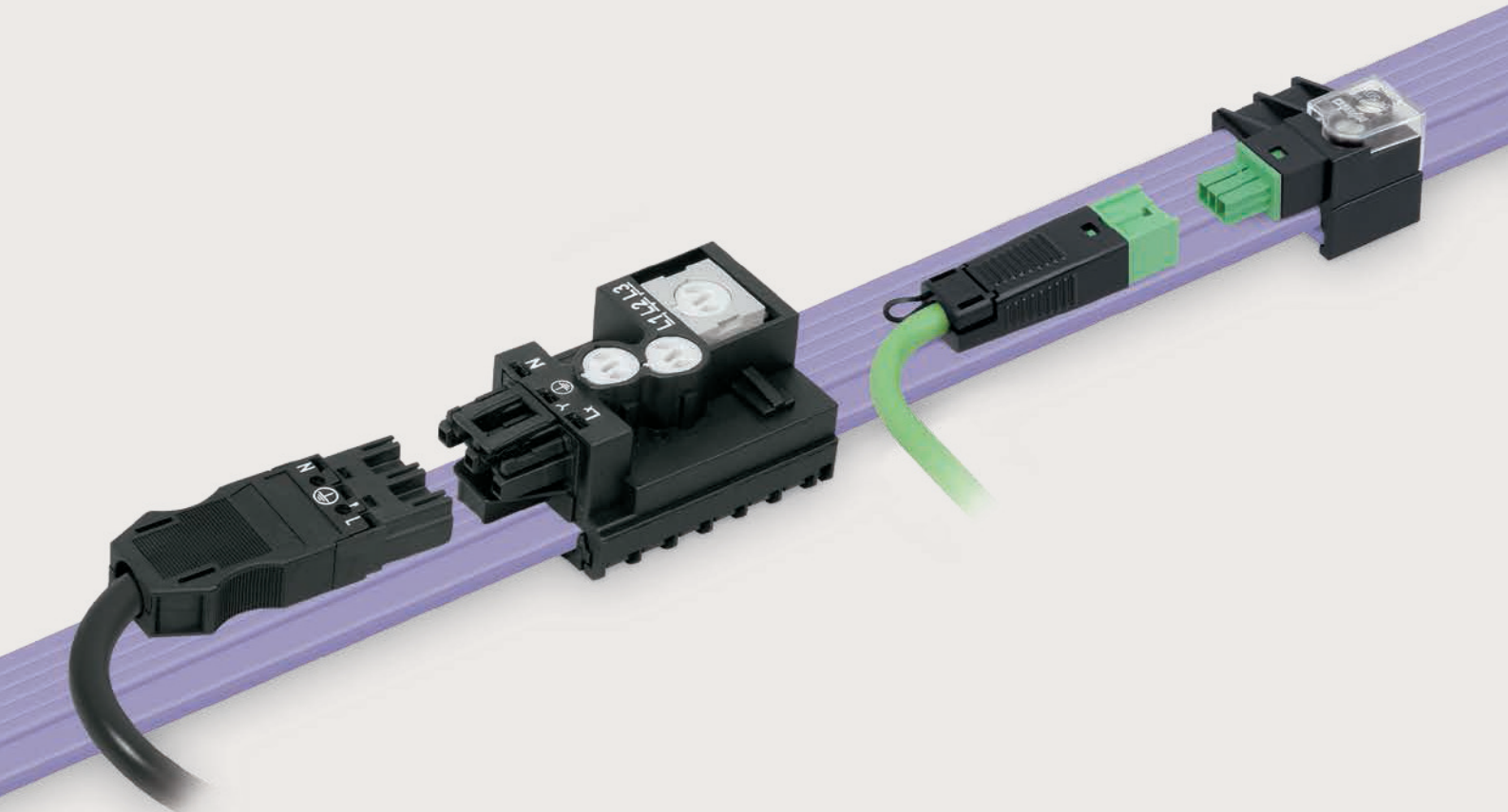
Connecting cable,
plug – free end, PVC, F-coding

Length	○ light gray	Pack. Unit
1 m	894-8992/233-107	1
3 m	894-8992/233-307	1
5 m	894-8992/233-507	1

Connecting cable,
plug – free end, halogen-free, F-coding

Length	○ light gray	Pack. Unit
1 m	894-8992/223-107	1
3 m	894-8992/223-307	1
5 m	894-8992/223-507	1

Coding	Marking	Color
F	1+ 2-	○ light gray



WINSTA® IDC

Important note:

The WINSTA® IDC system consists of the flat cables and the appropriate WINSTA® connection components that are described in this catalog and marked with "WAGO."

WAGO warrants the fault-free function of the WINSTA® IDC system only where original WINSTA® components are utilized.

Notice:

Only use identically coded supply and tap-off modules on the same cable!

- A- and P-coding (N ⊕ L1 L2 L3) are designed for a 400 V three-phase current cable configuration.
- I-coding (N ⊕ L DA- DA+) is designed for up to 230 V and dimming cable configurations.
- B-coding (N ⊕ L1 L2 L3) is designed for custom cable configurations.

Only modules with the same pole marking shall be used within an application.

WINSTA® IDC**for Flat Cables up to 16 mm²****772 / 893 / 895 / 896 Series**

- Note:
- Installation connectors are designed for connection and disconnection while not under load.
 - There is no hazard-inducing interchangeability with systems based on IEC 60309, IEC 60320, IEC 60906 and with national connector and socket systems.
 - Installation connector systems are not a substitute for residential connector/socket systems.
 - WINSTA® IDC Connectors are not intended for installation in open or easily accessible areas.

	Page	
	IDC Modules for Flat Cables 5 x 2.5 mm² / 5 x 4 mm² / 5 x 2.5 mm² + 2 x 1.5 mm², 772 Series	
	Supply Modules	286
	Tap-Off Modules, WINSTA® Connectors	287
	IDC Modules for Flat Cables 5 x 2.5 mm² + 2 x 1.5 mm² / 2 x 1.5 mm², 893 Series	
	Supply Modules (KNX and Special Coding)	290
	Tap-Off Modules (KNX and Special Coding)	291
	IDC Modules for Flat Cables 3 x 2.5 mm², 896 Series	
	Supply Modules	298
	Tap-Off Modules	298
	POWERBLOCK 10 for Flat Cable 5 x 10 mm², 895 Series	
	Supply Modules	300
	Tap-Off Modules	300
	POWERBLOCK 16 for Flat Cable 5 x 16 mm², 895 Series	
	Supply Modules	302
	Tap-Off Modules	302
	Flat Cables, 897 Series	
	2 x 1.5 mm ²	296
	3 x 2.5 mm ²	299
	5 x 2.5 mm ²	288
	5 x 2.5 mm ² + 5 x 1.5 mm ²	289
	5 x 4 mm ²	289
	5 x 10 mm ²	301
5 x 16 mm ²	303	

WINSTA® IDC

Technical Data, 3- and 5-Pole

772 Series



Connection Data

Connection technology	Push-in CAGE CLAMP®
Solid conductor	0.5 ... 4 mm ² / 20 ... 12 AWG
Solid conductor, push-in termination	1.5 ... 4 mm ² / 16 ... 12 AWG
Stranded conductor	0.5 ... 2.5 mm ² / 20 ... 14 AWG
Fine-stranded conductor	0.5 ... 4 mm ² / 20 ... 12 AWG
Fine-stranded conductor with uninsulated ferrule	0.25 ... 2.5 mm ² / 20 ... 14 AWG
Fine-stranded conductor with insulated ferrule	0.25 ... 1.5 mm ² / 20 ... 16 AWG
Strip length	9 mm / 0.35 inch (see also packaging or instructions)

Electrical Data

Rated voltage (III / 3)	
3-pole	250 V
5-pole	400 V
Rated surge voltage (III / 3)	
3-pole	4 kV
5-pole	6 kV
Rated current	
3-pole	25 A
5-pole	25 A
Clearances and creepage distances	≥ 5.5 mm
Contact resistance	approx. 1 mΩ contact resistance approx. 0.25 mΩ contact transition socket / plug
Number of potentials	
3-pole	3
5-pole	5
Number of connection points	
3-pole	6
5-pole	10

Mechanical Data

Mating cycles	200, without resistive load 100, with resistive load $I_N = 25$ A (4 mm ²)
Mating forces	30 ... 70 N (depending on pole number)
Unmating forces	30 ... 70 N (depending on pole number) when unlocked
Retention forces	> 80 N (locked)
Cable diameter	
3-pole	8 ... 11.5 mm
5-pole	9 ... 13 mm
Protection type	IP2xC (with strain relief housing) Note: These compact connectors are not designed for use in open, easily accessible areas.
Continuous operating temperature	-35 ... ≤ +85 °C PVC cable ≤ +70 °C (incl. halogen-free) Insulating parts ≤ +105 °C

Mismating Protection

All WINSTA® components are 100 % protected against mismating when:


- Plugging different number of poles
- Plugging when rotated by 180°
- Plugging when laterally staggered
- Plugging one pole


Locking Levers


All versions are factory-equipped with locking levers to ensure plugs and sockets are securely locked.

Material Data

Insulating parts	Polyamide (PA 66), halogen-free
Contacts	Copper or copper alloy, surface-treated
Clamping spring	Stainless steel (Cr-Ni)
Flammability class (per UL 94)	V0

 772 Series Accessories, see page 348

 Approvals, see www.wago.com

 Coding Overview, see page 360

Standards/Approvals

- UL
-

WINSTA® IDC Installation 772 Series



Insert flat cable into base (observe coding!).



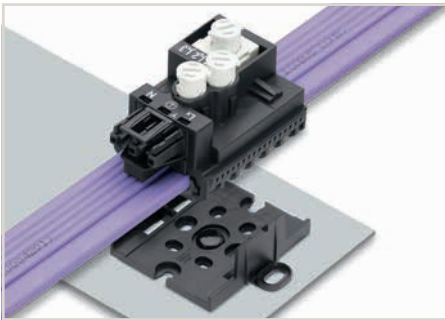
Mount IDC module flush with the base. Should the IDC module jam during mounting, turn the upper part by 180° and remount it.



Screw down contact elements until element stops.



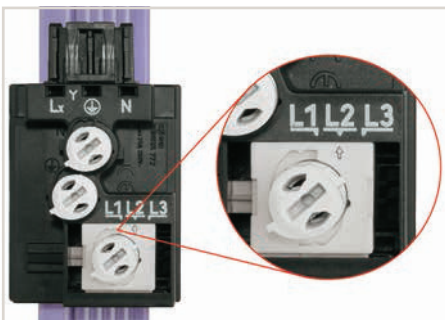
The mounting plate can be centrally mounted, or attached via outboard attachment points using 770-601 Mounting Pins.



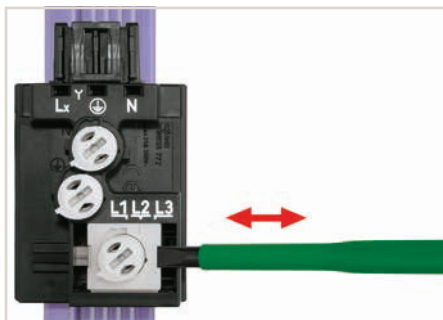
The distribution connectors snap together when attached to the mounting plate.



9



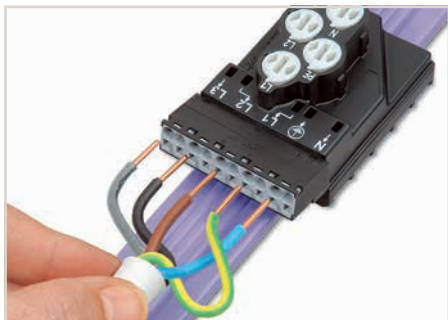
The phase selector is in position L2 (center) when delivered.



Move the phase selector into position L1 or L3 if required.



After connecting the flat cable, the IDC module is locked and can no longer be moved, even after unscrewing the contact element.



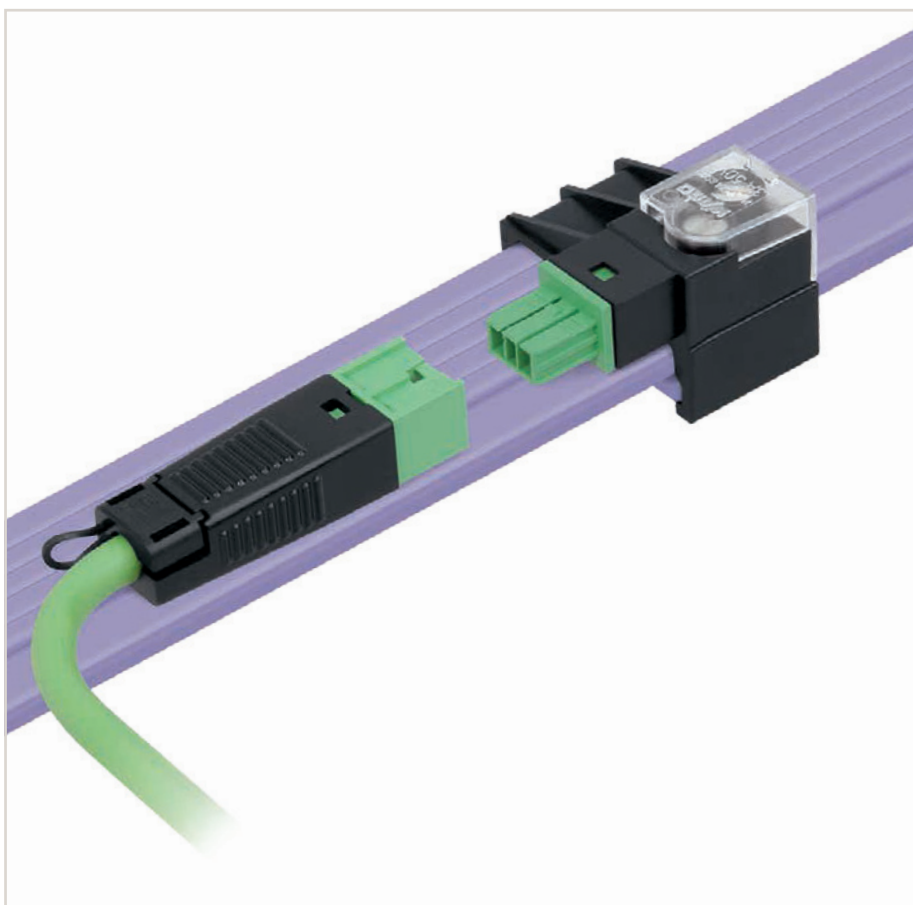
Connecting an installation cable to the supply module: Simply push stripped, solid conductors into unit. Open clamp via screwdriver to insert stripped, fine-stranded conductors.



Secure supply cable via strain relief housing.



Tighten strain relief screw using a screwdriver.



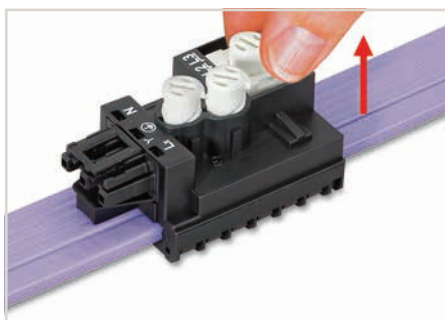
Tighten the screws to connect the flat cable. Observe 1 Nm of tightening torque!



Snap the transparent protective cover onto the module.



Notice: Should it be necessary to tap another phase, this must be done in a different location. To do so, the contact elements must be unscrewed and brought back to their original position.



Lift contact element to unlock phase selector and select the new phase. Notice: Do not reuse in the same location of the flat cable.



After removing the module, the contact holes in the flat cable must be sealed using insulating tape.

WINSTA® IDC

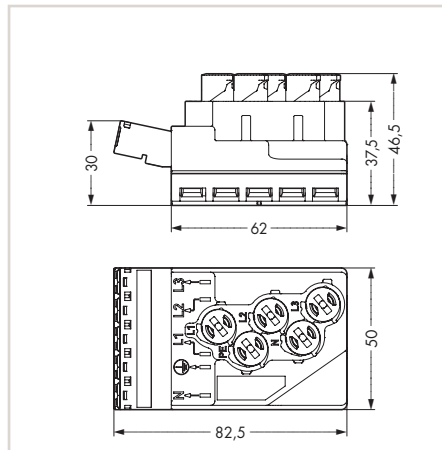
Supply Modules, 5-Pole

772 Series

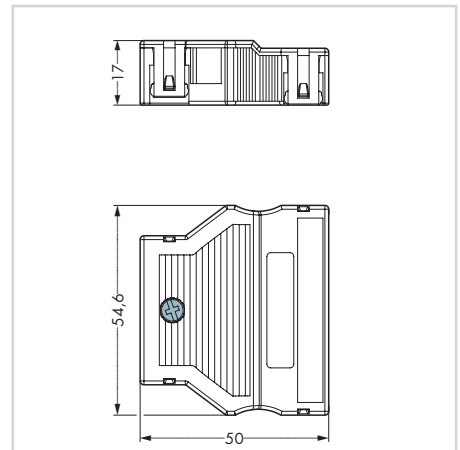
Conductor range	0.5 ... 4 mm ² / 20 ... 12 AWG
Rated voltage	400 V
Rated current	25 A
Strip length	9 mm / 0.35 inch



Dimensions (in mm):



Dimensions (in mm):



Supply module, with strain relief housing, for two cables, 9 ... 13 mm cable diameter, 55 mm strip length

Color	Item No.	Pack. Unit
black	772-261	10
gray	772-264/060-000	10
red	772-267	10
blue	772-271	10

Notice:

Only use identically coded supply and tap-off modules on the same cable!

- A- and P-coding (N ⊕ L1 L2 L3) are designed for a 400 V three-phase current cable configuration.
- I-coding (N ⊕ L DA- DA+) is designed for up to 230 V and dimming cable configurations.
- B-coding (N ⊕ L1 L2 L3) is designed for custom cable configurations. Only modules with the same pole marking shall be used within an application.

Suitable flat cables, see page 288

772 Series Accessories, see page 348

Approvals, see www.wago.com

Coding Overview, see page 360

WINSTA® IDC

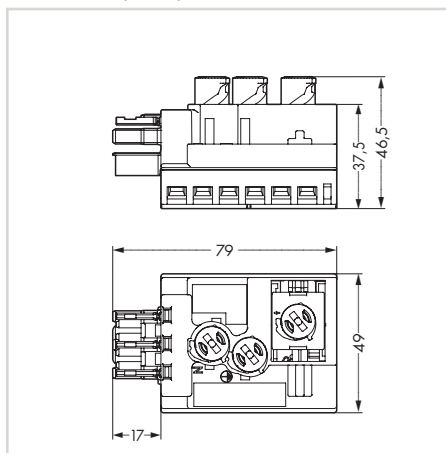
Tap-Off Modules, 3- and 5-Pole

772 Series

Rated voltage	250 V / 400 V
Rated current	25 A



Dimensions (in mm):

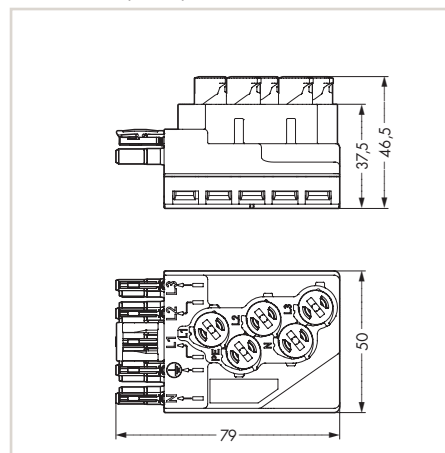


Tap-off module, with phase selection, 3-pole, for WINSTA® MIDI plug-in and distribution connectors, supply position L2

Color	Item No.	Pack. Unit
● black	772-263	10
● gray	772-266/060-000	10
● red	772-269	10



Dimensions (in mm):



Tap-off module, 5-pole, for WINSTA® MIDI plug-in and distribution connectors

Color	Item No.	Pack. Unit
● black	772-262	10
● gray	772-265/060-000	10
● red	772-268	10
● blue	772-272	10

Coding	Marking	Color
A	N ⊕ L1 L2 L3	● black
B	N ⊕ L1 L2 L3	● gray
I	N ⊕ L DA- DA+	● blue
P	N ⊕ L1 L2 L3	● red

WINSTA® IDC

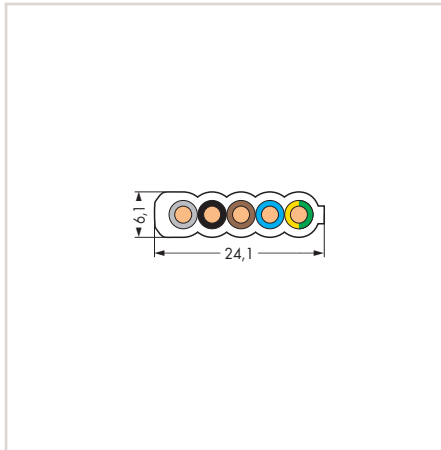
Flat Cables, 5 x 2.5 mm²

897 Series

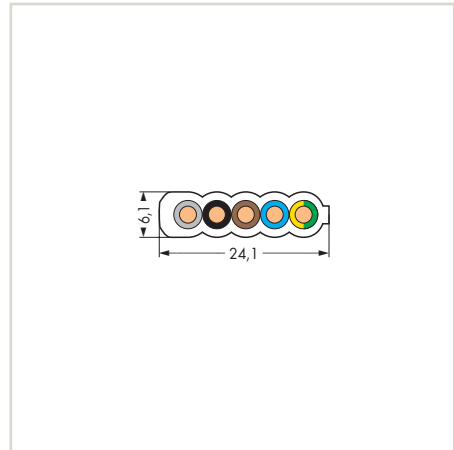
Conductor range	5 x 2.5 mm ²
Rated voltage	600 V / 1000 V



Dimensions (in mm):



Dimensions (in mm):



Flat cable, 5 x 2.5 mm ² , halogen-free	
Color	Item No.
light green	897-252

Flat cable, 5 x 2.5 mm ² , PVC	
Color	Item No.
light green	897-251

9

897 Series Accessories, see page 350

Approvals, see www.wago.com

WINSTA® IDC

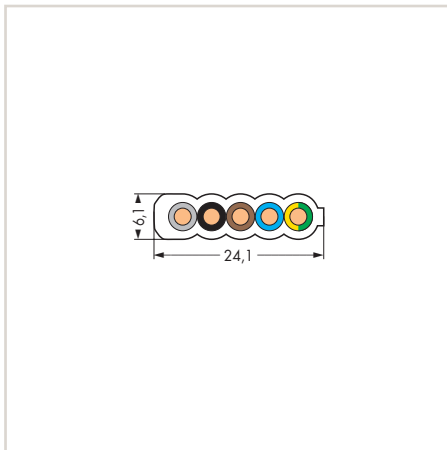
Flat Cables, 5 x 4 mm² and 5 x 2.5 mm² + 2 x 1.5 mm²

897 Series

Conductor range	5 x 4 mm ² / 5 x 2.5 mm ² + 2 x 1.5 mm ²
Rated voltage	600 V / 1000 V



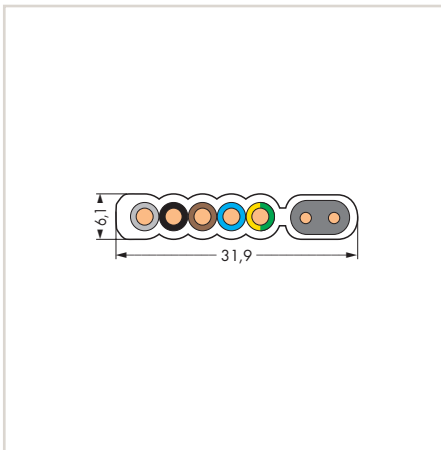
Dimensions (in mm):



Flat cable, 5 x 4 mm ² , halogen-free	
Color	Item No.
black	897-453



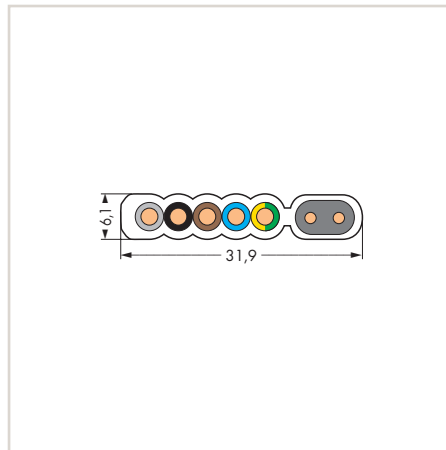
Dimensions (in mm):



Flat cable, 5 x 2.5 mm ² + 2 x 1.5 mm ² , halogen-free	
Color	Item No.
violet	897-262



Dimensions (in mm):



Flat cable, 5 x 2.5 mm ² + 2 x 1.5 mm ² , PVC	
Color	Item No.
violet	897-261

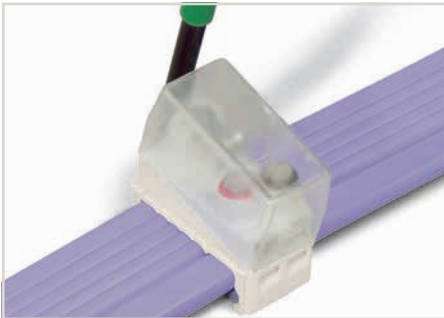
WINSTA® IDC

Supply Modules, 2-Pole, for 5 x 2.5 mm² + 2 x 1.5 mm² Flat Cables

893 Series



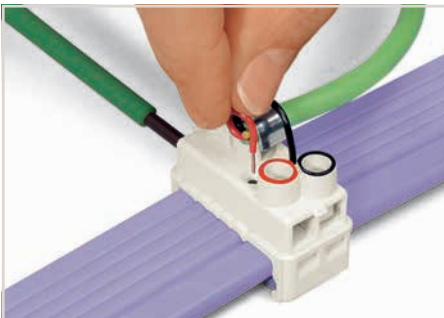
The IDC module can only be mounted if the two codings match each other. Should the IDC module jam during mounting, turn the module by 180° and remount it, flush with the base.




Remove transparent cover using a screwdriver.





Tighten the screws that are marked in red and black to connect the flat cable. Observe 1 Nm of tightening torque!



Secure bus cable via strain relief and terminate stripped conductors as shown in the picture.

 Suitable flat cables, see page 292

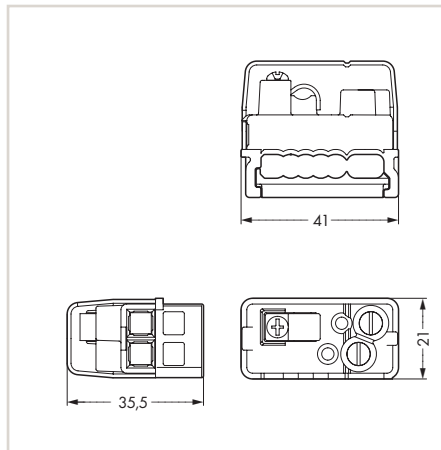
 Approvals, see www.wago.com

 Coding Overview, see page 361

Conductor range	0.5 ... 1.5 mm ²
Rated voltage	50 V
Rated current	3 A
Strip length	9 mm / 0.35 inch



Dimensions (in mm):



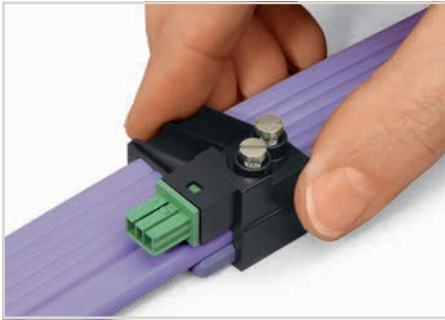
Supply module, with screw connection, 1 Nm tightening torque

Color	Item No.	Pack. Unit
light gray	893-261	25

WINSTA® IDC

Tap-Off Modules, 2-Pole, for 5 x 2.5 mm² + 2 x 1.5 mm² Flat Cables

893 Series



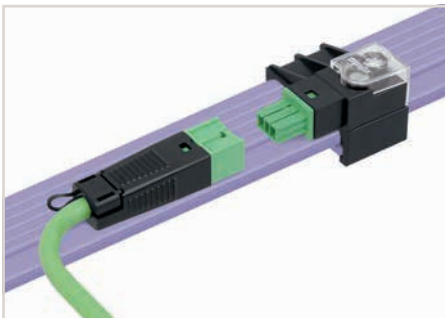
The IDC module can only be mounted if the two codings match each other. Should the IDC module jam during mounting, turn the module by 180° and remount it, flush with the base.



Tighten the screws to connect the flat cable. Observe 1 Nm of tightening torque!



Snap the transparent protective cover onto the module.

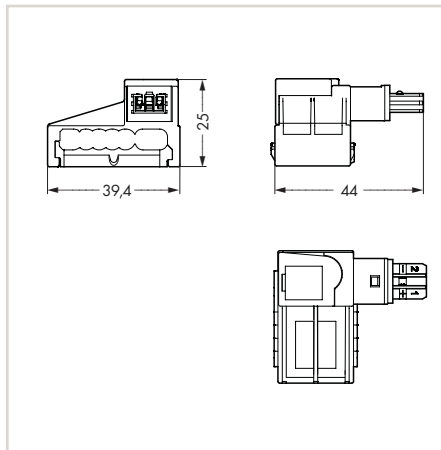


Connect the cable assembly to the module.

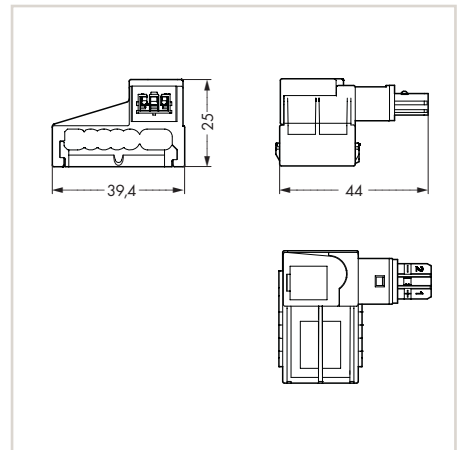
Rated voltage	50 V
Rated current	3 A



Dimensions (in mm):



Dimensions (in mm):



Tap-off module, with screw connection, for connectors and cable assemblies, E-coding, KNX, 1 Nm tightening torque

Color	Item No.	Pack. Unit
● green	893-262	25

Tap-off module, with screw connection, for connectors and cable assemblies, F-coding, 1 Nm tightening torque

Color	Item No.	Pack. Unit
○ light gray	893-269	25

Coding	Marking	Color
E	1+ 2-	● green
F	1+ 2-	○ light gray

WINSTA® IDC

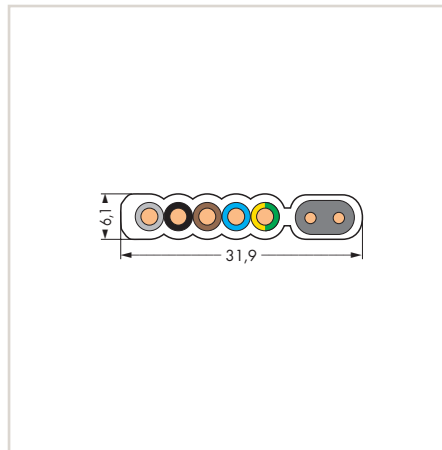
Flat Cables, 5 x 2.5 mm² + 2 x 1.5 mm²

897 Series

Conductor range	5 x 2.5 mm ² + 2 x 1.5 mm ²
Rated voltage	600 V / 1000 V



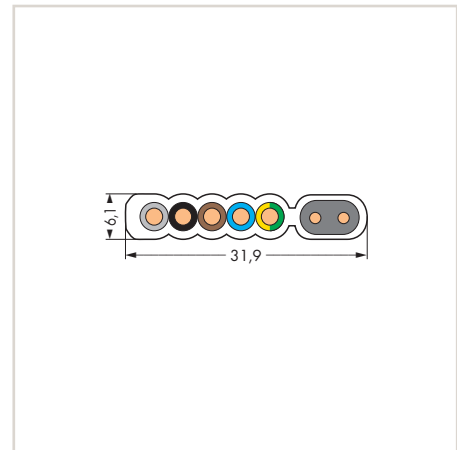
Dimensions (in mm):



Flat cable, 5 x 2.5 mm ² + 2 x 1.5 mm ² , halogen-free	
Color	Item No.
violet	897-262



Dimensions (in mm):



Flat cable, 5 x 2.5 mm ² + 2 x 1.5 mm ² , PVC	
Color	Item No.
violet	897-261

9

897 Series Accessories, see page 350

Approvals, see www.wago.com

WINSTA® IDC

Supply Modules, 2-Pole, for 2 x 1.5 mm² Flat Cables

893 Series



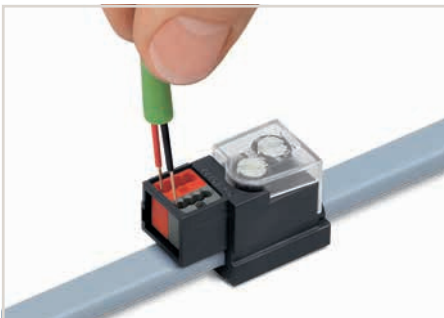
The IDC module can only be mounted if the two codings match each other. Should the IDC module jam during mounting, turn the module by 180° and remount it, flush with the base.



Tighten the screws to connect the flat cable. Observe 1 Nm of tightening torque!



Snap the transparent protective cover onto the module.

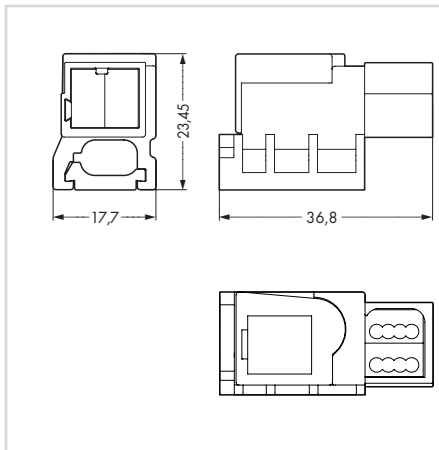


Terminate stripped, solid conductors by simply pushing them into unit until they hit backstop.

Conductor range	0.5 ... 1.5 mm ²
Rated voltage	50 V
Rated current	3 A
Strip length	9 mm / 0.35 inch



Dimensions (in mm):



Supply module, with screw connection, 1 Nm tightening torque

Color	Item No.	Pack. Unit
black	893-121	50

9

Suitable flat cables, see page 296

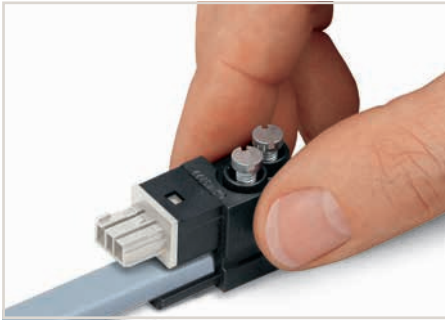
Approvals, see www.wago.com

Coding Overview, see page 361

WINSTA® IDC

Tap-Off Modules, 2-Pole, for 2 x 1.5 mm² Flat Cables

893 Series



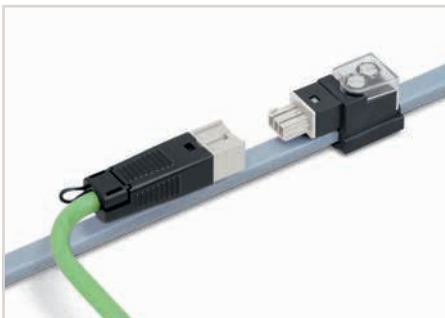
The IDC module can only be mounted if the two codings match each other. Should the IDC module jam during mounting, turn the module by 180° and remount it, flush with the base.



Tighten the screws to connect the flat cable. Observe 1 Nm of tightening torque!



Snap the transparent protective cover onto the module.



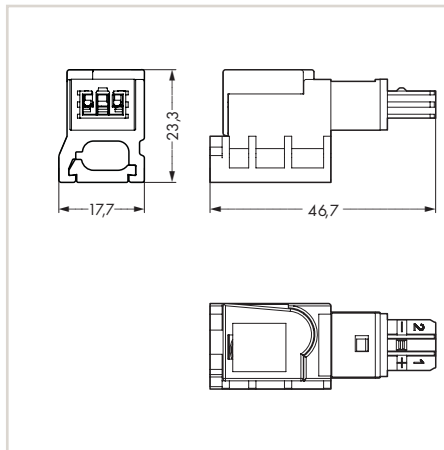
Connect the cable assembly to the module.

Rated voltage	50 V
Rated current	3 A

Rated voltage	50 V
Rated current	3 A



Dimensions (in mm):

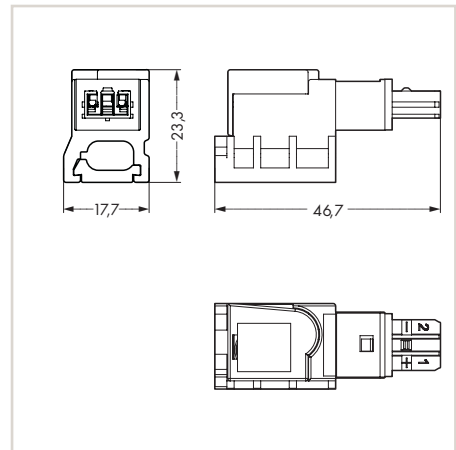


Tap-off module, with screw connection, for connectors and cable assemblies, E-coding, KNX, 1 Nm tightening torque

Color	Item No.	Pack. Unit
● green	893-122	50



Dimensions (in mm):



Tap-off module, with screw connection, for connectors and cable assemblies, F-coding, 1 Nm tightening torque

Color	Item No.	Pack. Unit
○ light gray	893-129	50

Coding	Marking	Color
E	1+ 2-	● green
F	1+ 2-	○ light gray

WINSTA® IDC

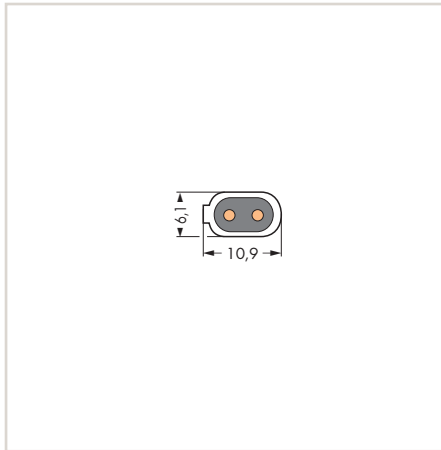
Flat Cables, 2 x 1.5 mm²

897 Series

Conductor range	2 x 1.5 mm ²
Rated voltage	50 V



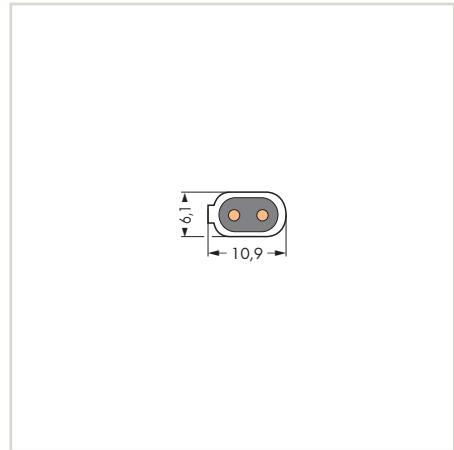
Dimensions (in mm):



Flat cable, 2 x 1.5 mm ² , halogen-free	
Color	Item No.
light gray	897-122



Dimensions (in mm):



Flat cable, 2 x 1.5 mm ² , PVC	
Color	Item No.
light gray	897-121

9

897 Series Accessories, see page 350

Approvals, see www.wago.com

WINSTA® IDC

Supply and Tap-Off Modules, 3-Pole, for 3 x 2.5 mm² Flat Cables

896 Series

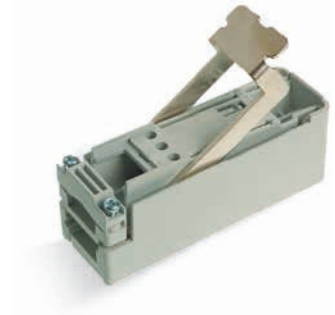
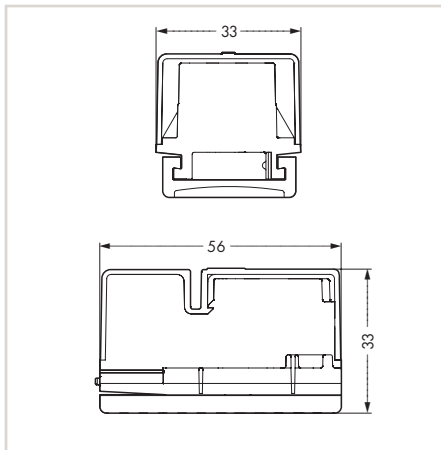


Position the base and tighten screw, if necessary. Insert flat cable accurately. The key in the base must match the groove in the cable insulation.

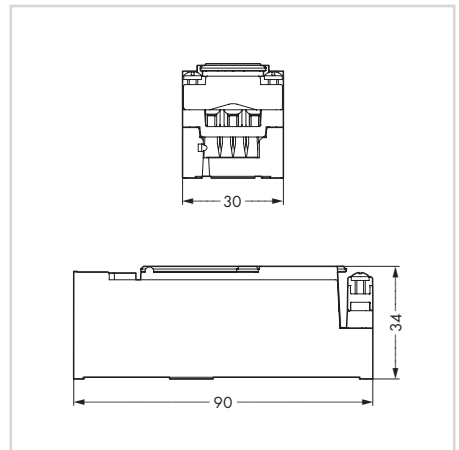
Conductor range	3 x 2.5 mm ²
Rated voltage	250 V
Rated current	24 A



Dimensions (in mm):



Dimensions (in mm):



Cut outgoing feeder cable, completely strip and insert conductors. Tighten screws firmly (observe 0.7 Nm of tightening torque).

Supply module, with screw connection, 0.7 Nm tightening torque, Phillips no. 1 screwdriver

Color	Item No.	Pack. Unit
light gray	896-231	10

Tap-off module, with screw connection, 0.7 Nm tightening torque, Phillips no. 1 screwdriver

Color	Item No.	Pack. Unit
light gray	896-232	10



Insert upper part into base until it hits the stop (which will click when engaged). Push down and lock lever. All three cores are contacted simultaneously.

9

Suitable flat cables, see page 299

Approvals, see www.wago.com

WINSTA® IDC

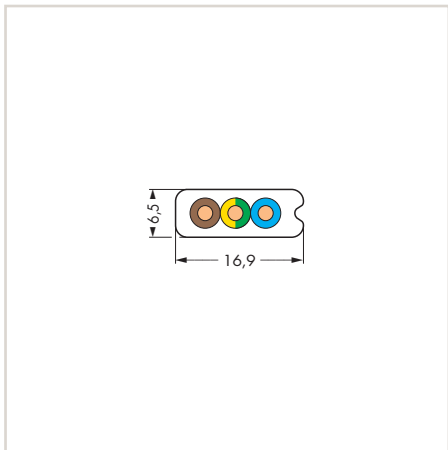
Flat Cable, 3 x 2.5 mm², Pre-Assembled Tap-Off Module

896 / 897 Series

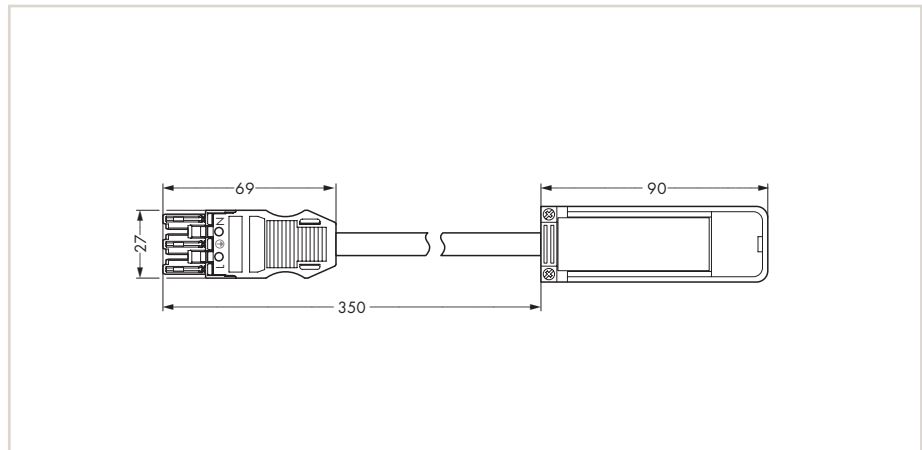
Conductor range	3 x 2.5 mm ²
Rated voltage	250 V



Dimensions (in mm):



Dimensions (in mm):



Flat cable, 5 x 2.5 mm², PVC

Color	Item No.
light gray	897-231

Flat cable, 5 x 2.5 mm², halogen-free

Color	Item No.
light gray	897-232

Tap-off module, fitted with WINSTA® MIDI Socket (A-coding), with H05VV-F cable, 35 cm long, 3 x 2.5 mm²

Color	Item No.	Pack. Unit
● black	896-233	10
○ white	896-234	10

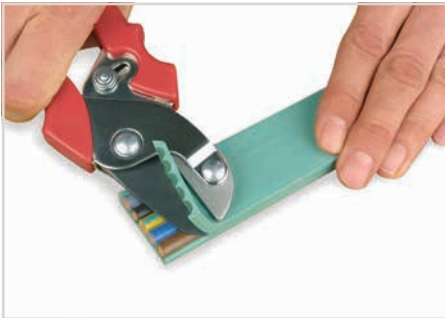
Coding	Marking	Color
A	L ⊕ N	● black
A	L ⊕ N	○ white

WINSTA® IDC

POWERBLOCK 10, Supply and Tap-Off Modules, 5-Pole, for 5 x 10 mm² Flat Cables 895 Series



Cut both sides of the flat cable insulation using a stripping knife (observe 30 mm of cutting length).



Cut off insulation via cutter.



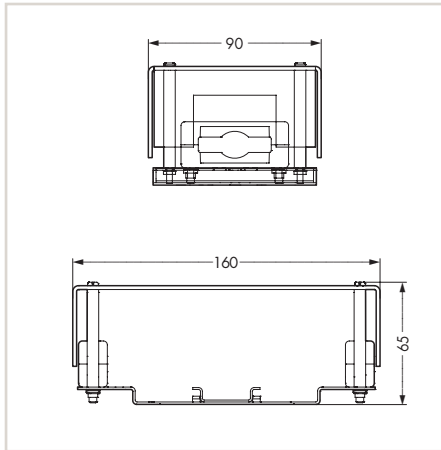
Push end cover fully onto the conductor ends.

Conductor range	5 x 4 mm ² / 5 x 10 mm ²
Rated voltage	690 V / 750 V
Rated current	32 A / 57 A

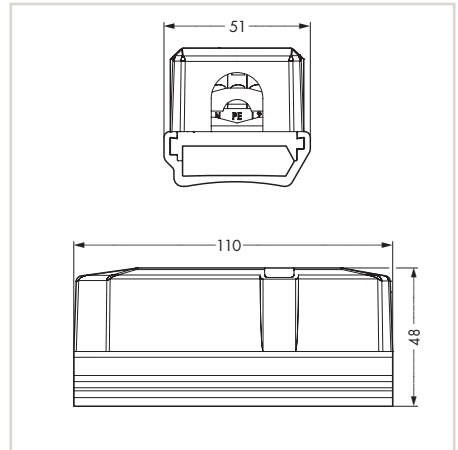
Conductor range	5 x 4 mm ² / 5 x 10 mm ²
Rated voltage	690 V / 750 V
Rated current	32 A / 57 A



Dimensions (in mm):



Dimensions (in mm):



Supply module, with Push-in CAGE CLAMP® Connection, with TOPJOB® S Rail-Mount Terminal Blocks

Color	Item No.	Pack. Unit
transparent	895-1051	2

Tap-off module, with CAGE CLAMP® Connection and spring clamp connection, 0.7 Nm tightening torque

Color	Item No.	Pack. Unit
light gray	895-1052	25

9

Suitable flat cables, see page 301

895 Series Accessories, see page 349

Approvals, see www.wago.com

WINSTA® IDC

Flat Cable, 5 x 10 mm², Pre-Assembled Tap-Off Module

895 / 897 Series

Conductor range

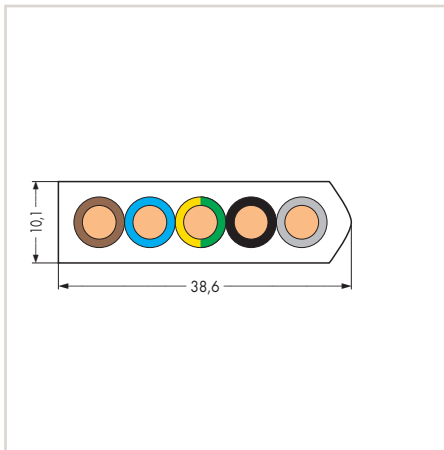
5 x 10 mm²

Rated voltage

600 V / 1000 V



Dimensions (in mm):

Flat cable, 5 x 10 mm²,
PVC

Color	Item No.
light gray	897-1051

The 895-1652 Tap-Off Module is also available with a pre-assembled WINSTA® MIDI Connector. For item number and delivery time, please contact the factory.

Flat cable, 5 x 10 mm²,
halogen-free

Color	Item No.
light gray	897-1052

WINSTA® IDC

POWERBLOCK 16, Supply and Tap-Off Modules, 5-Pole, for 5 x 16 mm² Flat Cables 895 Series



Tighten the screws to the stop to connect the flat cable (observe the tightening torque!)



Red contact clips confirm that the contacts are made correctly when they are flush with the terminals.

Conductor range

5 x 6 mm² / 5 x 16 mm²

Rated voltage

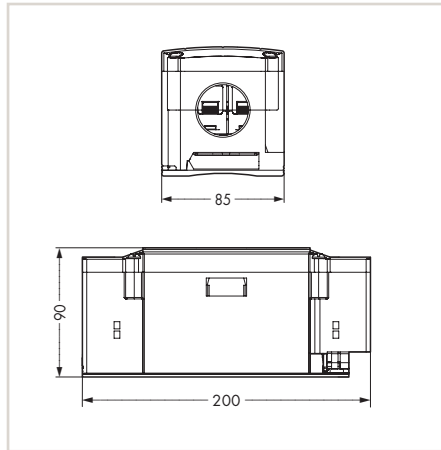
690 V

Rated current

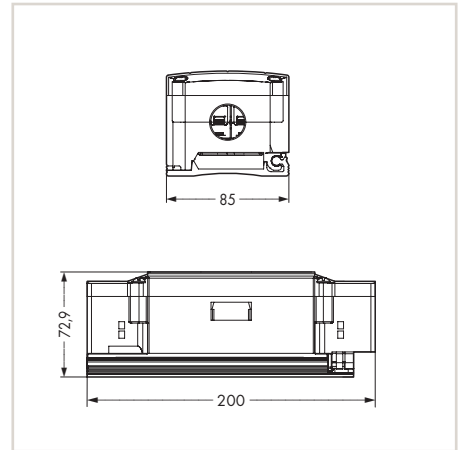
41 A / 76 A



Dimensions (in mm):



Dimensions (in mm):



Supply module, with screw connection, can also be used as tap-off, 3.5 Nm tightening torque

Color	Item No.	Pack. Unit
black	895-1651	1

Tap-off module, with screw connection, with two 5 x 6 mm² outputs, 2 Nm tightening torque

Color	Item No.	Pack. Unit
black	895-1652	5

Suitable flat cables, see page 303

895 Series Accessories, see page 349

Approvals, see www.wago.com

WINSTA® IDC

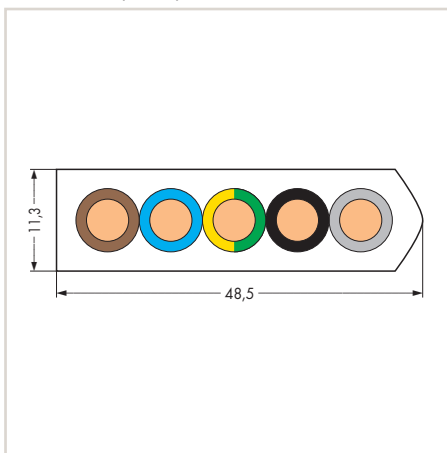
Flat Cable, 5 x 16 mm², Pre-Assembled Tap-Off Module

895 / 897 Series

Conductor range	5 x 16 mm ²
Rated voltage	600 V / 1000 V



Dimensions (in mm):



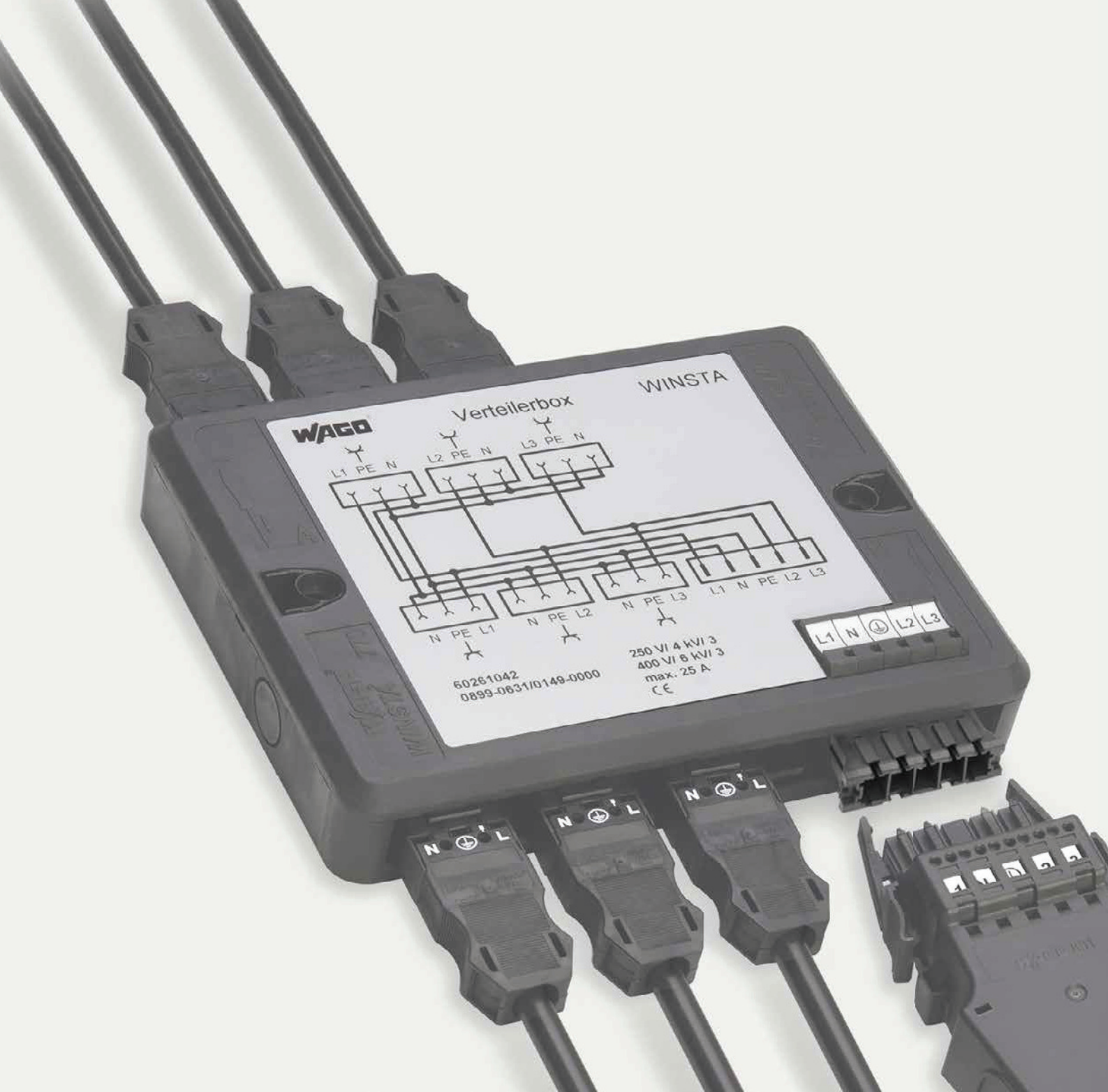
Flat cable, 5 x 16 mm²,
PVC

Color	Item No.
light gray	897-1651

The 895-1652 Tap-Off Module is also available with a pre-assembled WINSTA® MAXI Connector. For item number and delivery time, please contact the factory.

Flat cable, 5 x 16 mm²,
halogen-free

Color	Item No.
light gray	897-1652



WINSTA® Boxes

WINSTA® Boxes

899 Series



	Page
899 Series	
Single-Phase Current (230 V)	307
Three-Phase Current (400 V)	311
Three-Phase to Single-Phase Current (400 V/230 V)	313
Supply Cable Entry	318
DALI	322
SMI	325
Motion and Presence Detectors	326
On/Off Switching	329
Series Switching	330
Changeover Switching	331
Crossover Switching	332
Cable and Device Protection	333
Overvoltage Protection	333
Switching with Latching Relay	334



Distribution Box for Self-Assembly	336
------------------------------------	-----

WINSTA® Boxes

Description and Installation

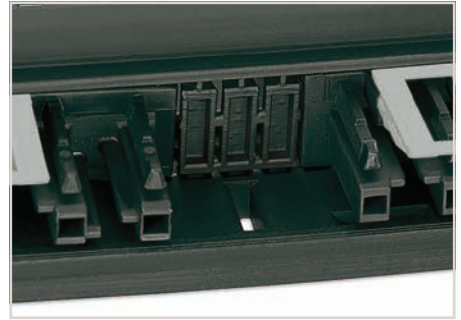
899 Series



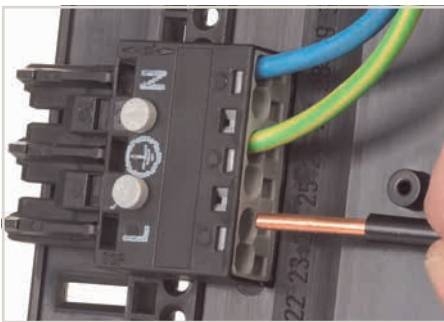
The set includes: 1 bottom, 1 lid, 2 sidewalls and 16 mounting pins.



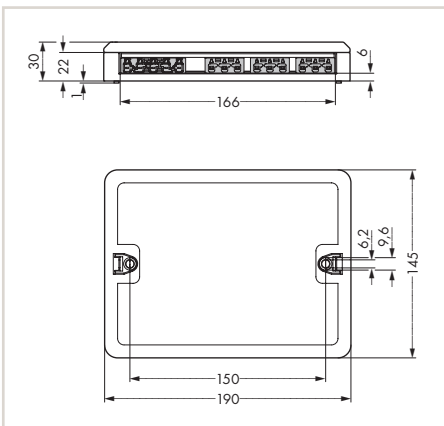
Remove unrequired areas from the sidewalls.



Unassigned slots and spaces are closed by inserting a sidewall.



Solid conductors are terminated via push-in termination, while stranded and fine-stranded conductors are inserted using an operating tool.



10



Securing the mounting plate with WINSTA® Distribution Box to the wall (e.g., via stud gun).



Adapter for WINSTA® MINI and WINSTA® MINI special connectors



Custom-made WINSTA® Distribution Box

WINSTA® Boxes

Distribution, Single-Phase Current (230 V)

1 Input, 7 Outputs, A-Coding, WINSTA® MIDI

Description

This WINSTA® Distribution Box duplicates the outputs of a 3-pole, single-phase cable.

Technical Data

Rated voltage (III / 3)

250 V

Rated surge voltage (III / 3)

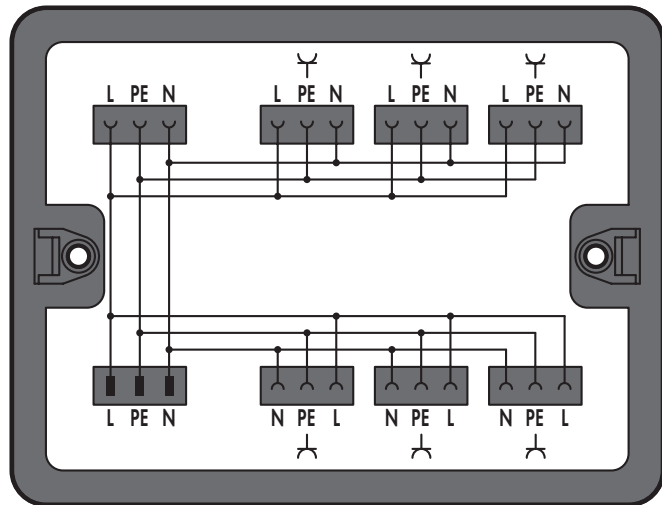
4 kV

Rated current

25 A

Internal wiring

4 mm²



Distribution box, single-phase current (230 V)

Color	Item No.	Pack. Unit
● black	899-631/104-000	1

Distribution, Single-Phase Current (230 V)

1 Input, 7 Outputs, A-Coding, WINSTA® MIDI

Description

This WINSTA® Distribution Box duplicates the outputs of a 3-pole, single-phase cable.

Technical Data

Rated voltage (III / 3)

250 V

Rated surge voltage (III / 3)

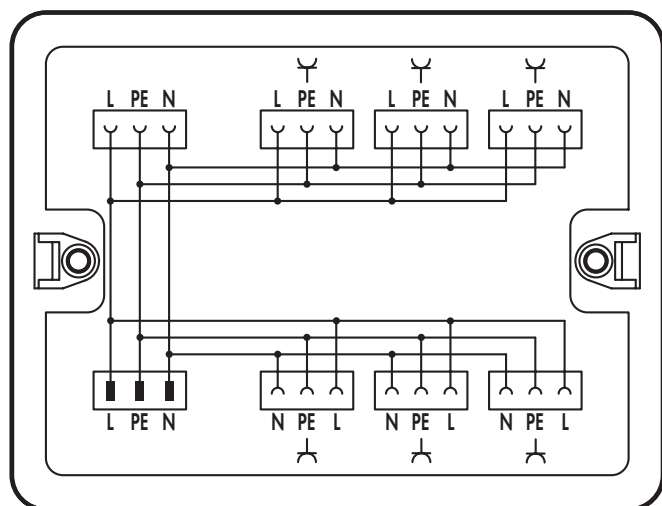
4 kV

Rated current

25 A

Internal wiring

4 mm²



Distribution box, single-phase current (230 V)

Color	Item No.	Pack. Unit
○ white	899-681/104-000	1

899 Series Accessories,
see page 347

Approvals,
see www.wago.com

Coding Overview,
see page 360

WINSTA® Boxes

Distribution, Single-Phase Current (230 V)

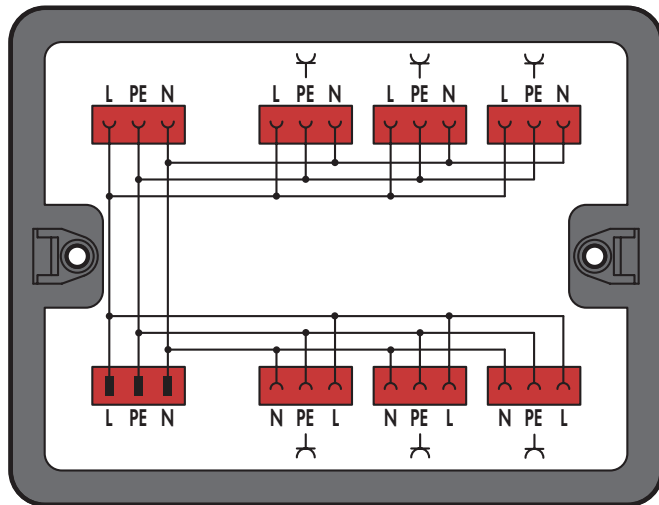
1 Input, 7 Outputs, P-Coding, WINSTA® MIDI

Description

This WINSTA® Distribution Box duplicates the outputs of a 3-pole, single-phase cable.

Technical Data

Rated voltage (III / 3)	250 V
Rated surge voltage (III / 3)	4 kV
Rated current	25 A
Internal wiring	4 mm ²



Distribution box, single-phase current (230 V)		
Color	Item No.	Pack. Unit
● black	899-631/330-000	1

Distribution, Single-Phase Current (230 V)

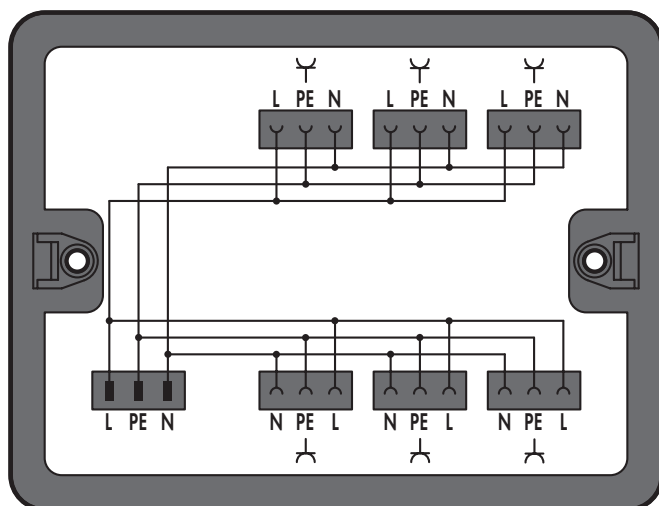
1 Input, 6 Outputs, A-Coding, WINSTA® MIDI

Description

This WINSTA® Distribution Box duplicates the outputs of a 3-pole, single-phase cable.

Technical Data

Rated voltage (III / 3)	250 V
Rated surge voltage (III / 3)	4 kV
Rated current	25 A
Internal wiring	4 mm ²



Distribution box, single-phase current (230 V)		
Color	Item No.	Pack. Unit
● black	899-631/140-000	1

899 Series Accessories, see page 347

Approvals, see www.wago.com

Coding Overview, see page 360

WINSTA® Boxes

Distribution, Single-Phase Current (230 V)

1 Input, 6 Outputs, A-Coding, WINSTA® MIDI

Description

This WINSTA® Distribution Box duplicates the outputs of a 3-pole, single-phase cable.

Technical Data

Rated voltage (III / 3)

250 V

Rated surge voltage (III / 3)

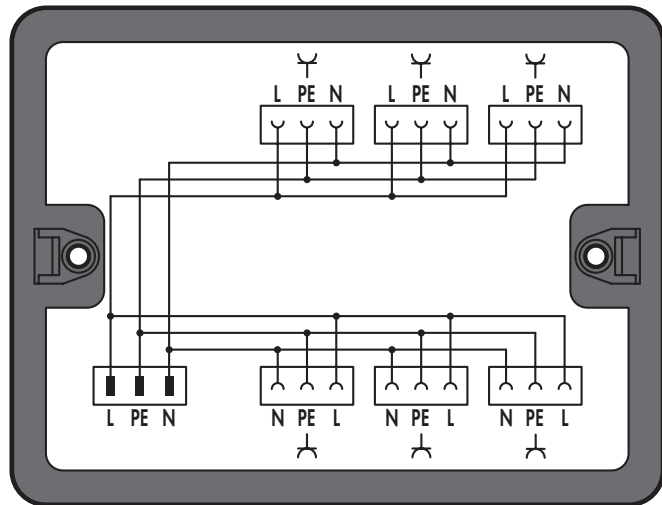
4 kV

Rated current

25 A

Internal wiring

4 mm²



Distribution box, single-phase current (230 V)

Color	Item No.	Pack. Unit
● black	899-631/395-000	1

Distribution, Single-Phase Current (230 V)

1 Input, 6 Outputs, P-Coding, WINSTA® MIDI

Description

This WINSTA® Distribution Box duplicates the outputs of a 3-pole, single-phase cable.

Technical Data

Rated voltage (III / 3)

250 V

Rated surge voltage (III / 3)

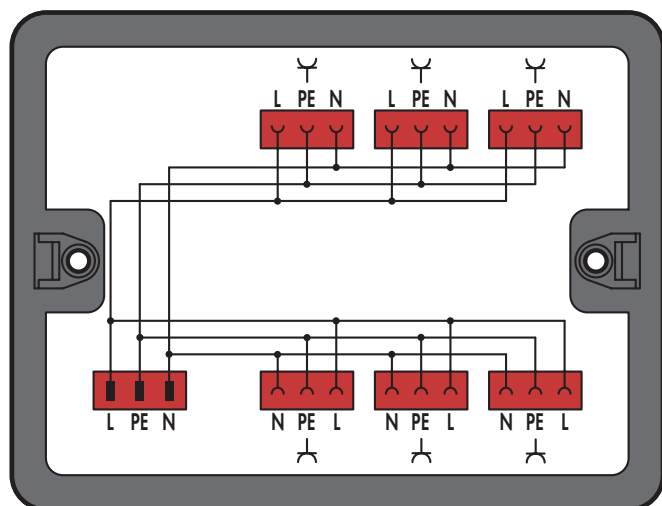
4 kV

Rated current

25 A

Internal wiring

4 mm²



Distribution box, single-phase current (230 V)

Color	Item No.	Pack. Unit
● black	899-631/331-000	1

WINSTA® Boxes

Distribution, Single-Phase Current (230 V)

1 Input, 13 Outputs, A-Coding, WINSTA® MIDI

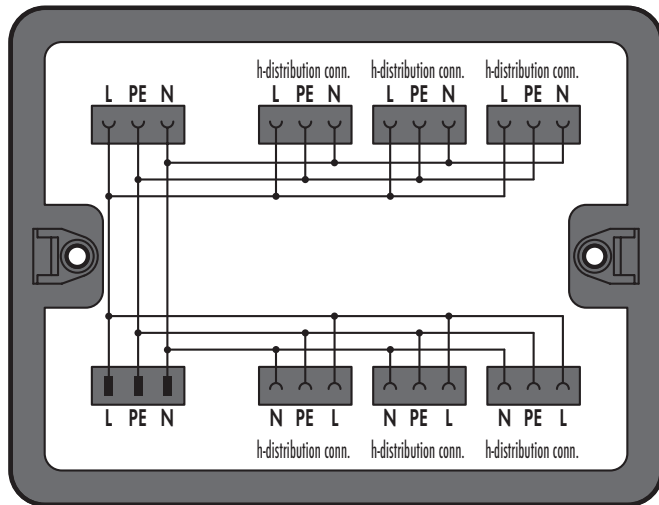
Description

This WINSTA® Distribution Box duplicates the outputs of a 3-pole, single-phase cable.

Includes: Six 770-634 h-Distribution Connectors

Technical Data

Rated voltage (III / 3)	250 V
Rated surge voltage (III / 3)	4 kV
Rated current	25 A
Internal wiring	4 mm ²



Distribution box, single-phase current (230 V)

Color	Item No.	Pack. Unit
● black	899-631/334-000	1

Distribution, Single-Phase Current (230 V)

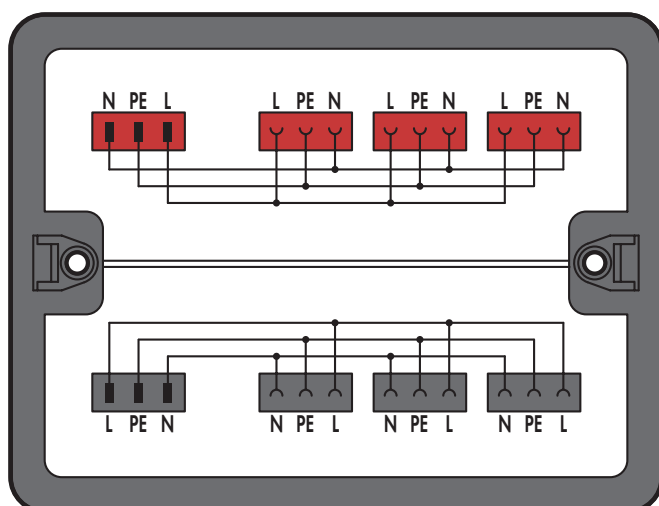
2 Circuits, A+P-Coding, WINSTA® MIDI

Description

This WINSTA® Distribution Box features two different 3-pole, single-phase circuits (e.g., for general power, EDP outlets, and UPS systems). Both networks are provided with differently encoded connectors. Three-pole connecting cables are provided for both power input and output.

Technical Data

Rated voltage (III / 3)	250 V
Rated surge voltage (III / 3)	4 kV
Rated current	25 A
Internal wiring	4 mm ²



Distribution box, single-phase current (230 V)

Color	Item No.	Pack. Unit
● black	899-631/311-000	1

899 Series Accessories, see page 347

Approvals, see www.wago.com

Coding Overview, see page 360

WINSTA® Boxes

Distribution, Single-Phase Current (230 V)

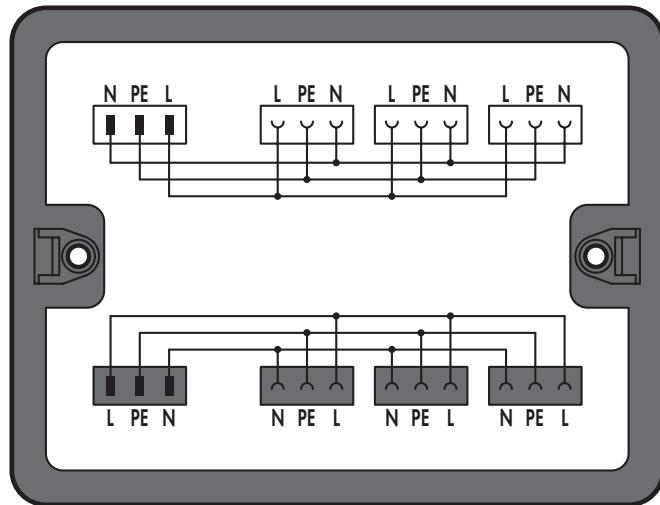
2 Circuits, A-Coding, WINSTA® MIDI

Description

This WINSTA® Distribution Box features two different 3-pole, single-phase circuits (e.g., for general power, EDP outlets, and UPS systems). Both networks are provided with differently encoded connectors. Three-pole connecting cables are provided for both power input and output.

Technical Data

Rated voltage (III / 3)	250 V
Rated surge voltage (III / 3)	4 kV
Rated current	25 A
Internal wiring	4 mm ²



Distribution box, single-phase current (230 V)

Color	Item No.	Pack. Unit
● black	899-631/327-000	1

Distribution, Three-Phase Current (400 V)

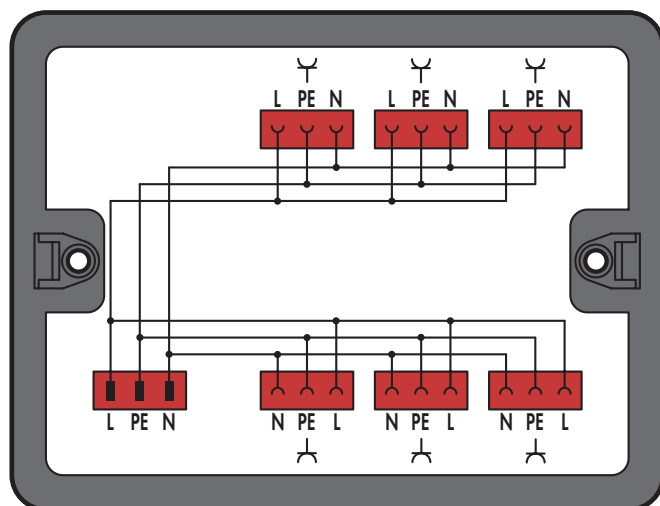
1 Input, 5 Outputs, A-Coding, WINSTA® MIDI

Description

This WINSTA® Distribution Box duplicates the outputs of a 5-pole, three-phase cable.

Technical Data

Rated voltage (III / 3)	400 V
Rated surge voltage (III / 3)	6 kV
Rated current	25 A
Internal wiring	4 mm ²



Distribution box, three-phase current (400 V)

Color	Item No.	Pack. Unit
● black	899-631/187-000	1

WINSTA® Boxes

Distribution, Three-Phase Current (400 V)

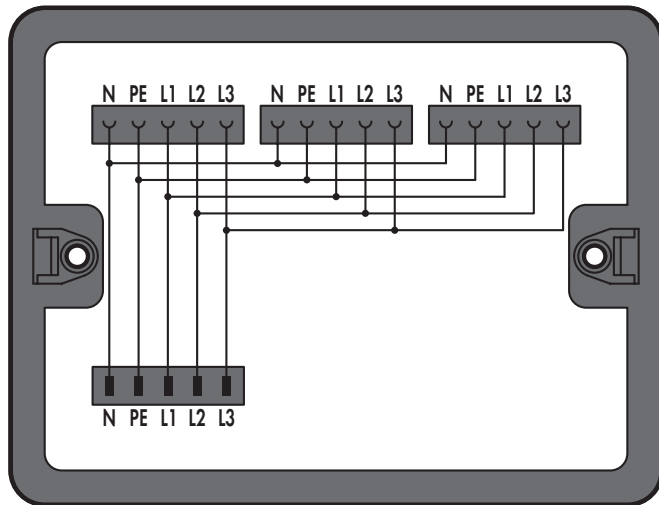
1 Input, 3 Outputs, A-Coding, WINSTA® MIDI

Description

This WINSTA® Distribution Box duplicates the outputs of a 5-pole, three-phase cable.

Technical Data

Rated voltage (III / 3)	400 V
Rated surge voltage (III / 3)	6 kV
Rated current	25 A
Internal wiring	4 mm ²



Distribution box, three-phase current (400 V)		
Color	Item No.	Pack. Unit
● black	899-631/341-000	1

Distribution, Three-Phase Current (400 V)

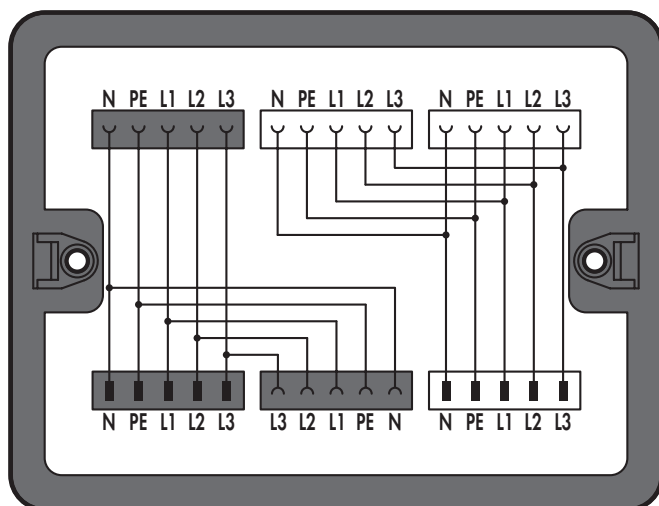
2 Circuits, 1 Input (Each), 2 Outputs (Each), A-Coding, WINSTA® MIDI

Description

This WINSTA® Distribution Box features two different 5-pole, three-phase circuits for both general and uninterruptible power supply in raised-floor boxes. Power supply is performed using a 5-pole connector. For example, both circuits can be clearly identified using black and white connectors or cables.

Technical Data

Rated voltage (III / 3)	400 V
Rated surge voltage (III / 3)	6 kV
Rated current	20 A
Internal wiring	2.5 mm ² , halogen-free



Distribution box, three-phase current (400 V)		
Color	Item No.	Pack. Unit
● black	899-631/312-000	1

899 Series Accessories, see page 347

Approvals, see www.wago.com

Coding Overview, see page 360

WINSTA® Boxes**Distribution, Three-Phase to Single-Phase Current (400 V / 230 V)
Through Wiring (5-Pole), 6 Outputs (3-Pole), A-Coding, WINSTA® MIDI****Description**

The phases L₁, L₂ and L₃ of the three-phase current are divided into three single-phase circuits with two outputs each.

Technical Data

Rated voltage (III / 3)

250 V / 400 V

Rated surge voltage (III / 3)

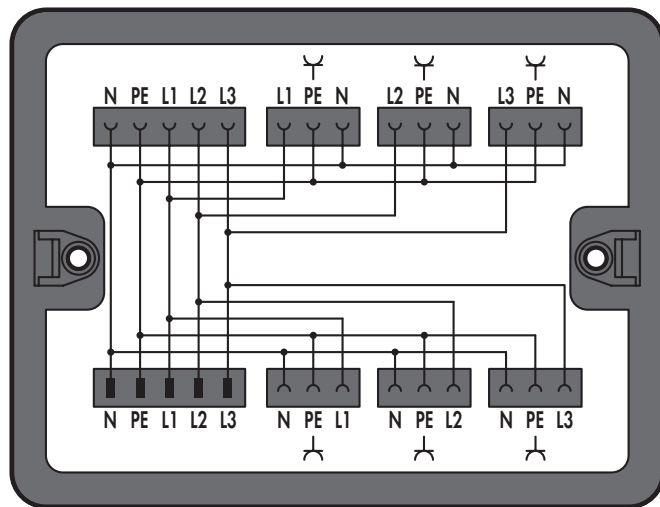
4 kV / 6 kV

Rated current

25 A

Internal wiring

4 mm²



Distribution box, three-phase to single-phase current (400 V / 230 V)

Color	Item No.	Pack. Unit
● black	899-631/100-000	1

**Distribution, Three-Phase to Single-Phase Current (400 V / 230 V)
Through Wiring (5-Pole), 6 Outputs (3-Pole), A-Coding, WINSTA® MIDI****Description**

The phases L₁, L₂ and L₃ of the three-phase current are divided into three single-phase circuits with two outputs each.

Technical Data

Rated voltage (III / 3)

250 V / 400 V

Rated surge voltage (III / 3)

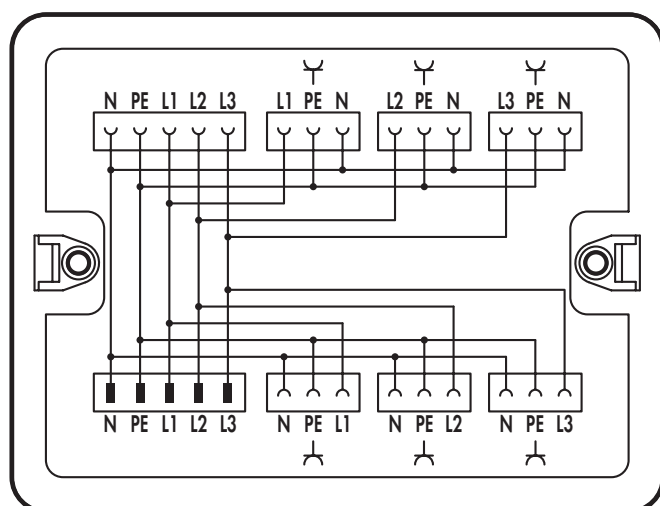
4 kV / 6 kV

Rated current

25 A

Internal wiring

4 mm²



Distribution box, three-phase to single-phase current (400 V / 230 V)

Color	Item No.	Pack. Unit
○ white	899-681/100-000	1

WINSTA® Boxes**Distribution, Three-Phase to Single-Phase Current (400 V / 230 V)
Through Wiring (5-Pole), 6 Outputs (3-Pole), P-Coding, WINSTA® MIDI****Description**

The phases L₁, L₂ and L₃ of the three-phase current are divided into three single-phase circuits with two outputs each.

Technical Data

Rated voltage (III / 3)

250 V / 400 V

Rated surge voltage (III / 3)

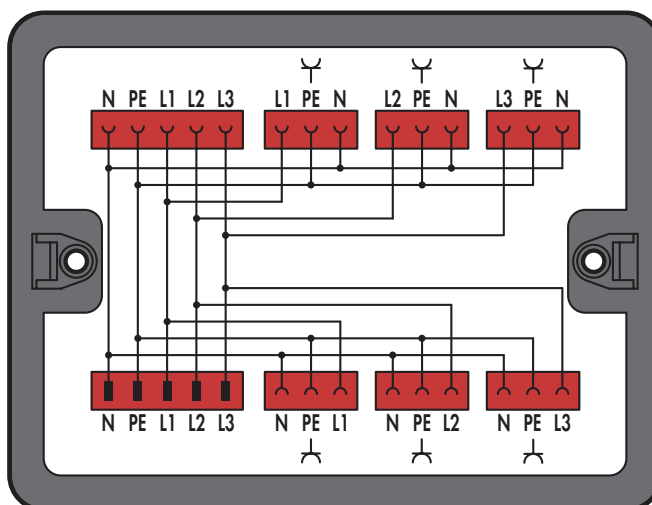
4 kV / 6 kV

Rated current

25 A

Internal wiring

4 mm²



Distribution box, three-phase to single-phase current (400 V / 230 V)

Color	Item No.	Pack. Unit
● black	899-631/186-000	1

**Distribution, Three-Phase Current (400 V)
1 Input (5-Pole), 6 Outputs (3-Pole), A-Coding, WINSTA® MIDI****Description**

The phases L₁, L₂ and L₃ of the three-phase current are divided into three single-phase circuits with two outputs each.

Technical Data

Rated voltage (III / 3)

250 V / 400 V

Rated surge voltage (III / 3)

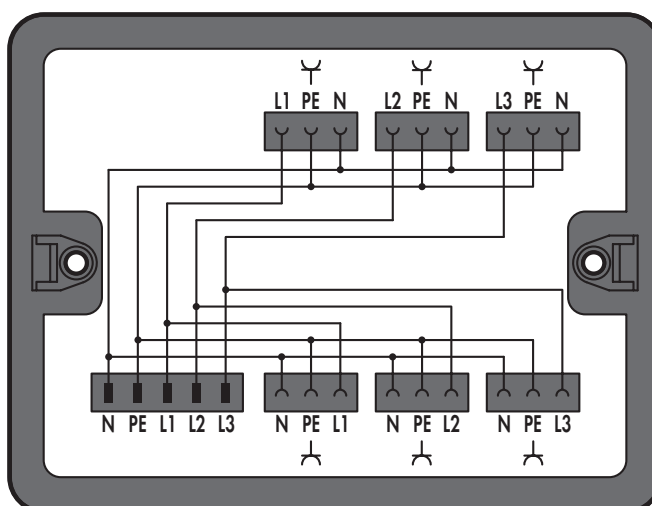
4 kV / 6 kV

Rated current

25 A

Internal wiring

4 mm²



Distribution box, three-phase to single-phase current (400 V / 230 V)

Color	Item No.	Pack. Unit
● black	899-631/105-000	1

899 Series Accessories,
see page 347

Approvals,
see www.wago.com

Coding Overview,
see page 360

WINSTA® Boxes**Distribution, Three-Phase to Single-Phase Current (400 V / 230 V)**

1 Input (5-Pole), 6 Outputs (3-Pole), A-Coding, WINSTA® MIDI

Description

The phases L₁, L₂ and L₃ of the three-phase current are divided into three single-phase circuits with two outputs each.

Technical Data

Rated voltage (III / 3)

250 V / 400 V

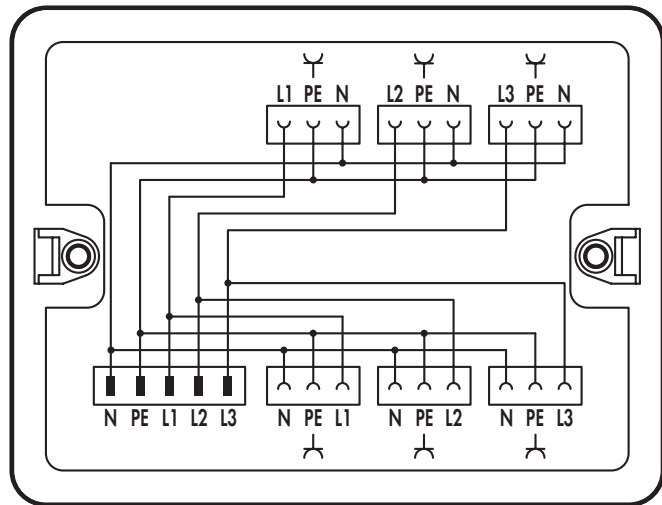
Rated surge voltage (III / 3)

4 kV / 6 kV

Rated current

25 A

Internal wiring

4 mm²

Distribution box, three-phase to single-phase current (400 V / 230 V)

Color	Item No.	Pack. Unit
○ white	899-681/105-000	1

Distribution, Three-Phase to Single-Phase Current (400 V / 230 V)

Through Wiring (5-Pole), 3 Outputs (3-Pole), A-Coding, WINSTA® MIDI

Description

The phases L₁, L₂ and L₃ of the three-phase current are divided into three single-phase circuits with two outputs each.

Technical Data

Rated voltage (III / 3)

250 V / 400 V

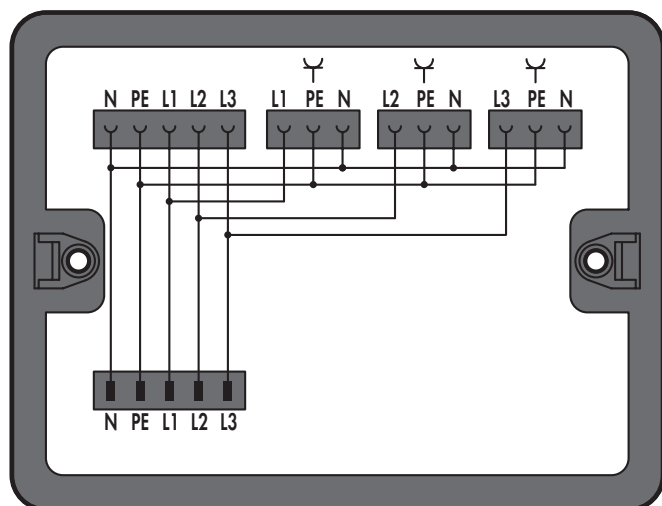
Rated surge voltage (III / 3)

4 kV / 6 kV

Rated current

25 A

Internal wiring

4 mm²

Distribution box, three-phase to single-phase current (400 V / 230 V)

Color	Item No.	Pack. Unit
● black	899-631/346-000	1

WINSTA® Boxes

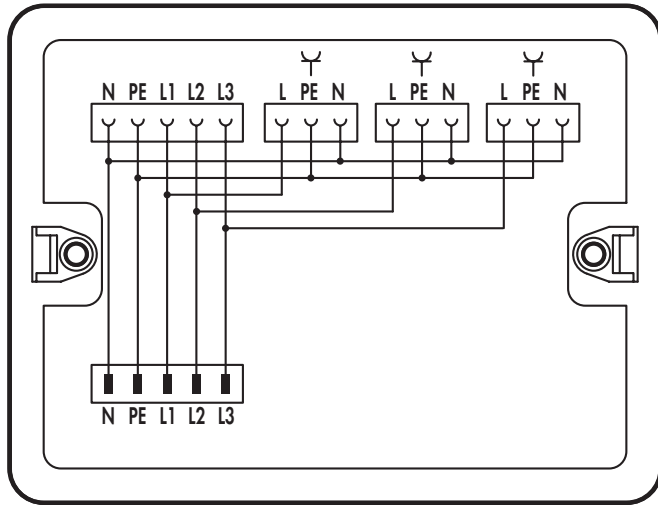
Distribution, Three-Phase to Single-Phase Current (400 V / 230 V) Through Wiring (5-Pole), 3 Outputs (3-Pole), A-Coding, WINSTA® MIDI

Description

The phases L₁, L₂ and L₃ of the three-phase current are divided into three single-phase circuits.

Technical Data

Rated voltage (III / 3)	250 V / 400 V
Rated surge voltage (III / 3)	4 kV / 6 kV
Rated current	25 A
Internal wiring	2.5 mm ²



Distribution box, three-phase to single-phase current (400 V / 230 V)		
Color	Item No.	Pack. Unit
○ white	899-681/142-000	1

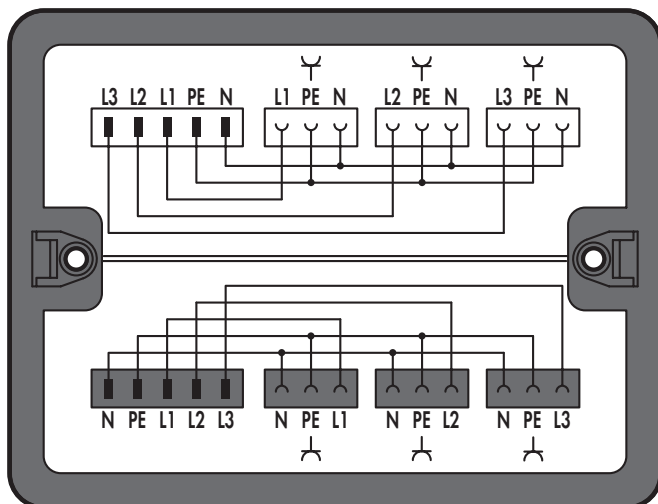
Distribution, Three-Phase to Single-Phase Current (400 V / 230 V) 2 Circuits, 1 Input (Each), 3 Outputs (Each), A-Coding, WINSTA® MIDI

Description

This WINSTA® Distribution Box divides two 3-phase circuits into three single-phase circuits each (e.g., 230 V and EDP outlets).

Technical Data

Rated voltage (III / 3)	250 V / 400 V
Rated surge voltage (III / 3)	4 kV / 6 kV
Rated current	25 A
Internal wiring	4 mm ²



Distribution box, three-phase to single-phase current (400 V / 230 V)		
Color	Item No.	Pack. Unit
● black	899-631/349-000	1

899 Series Accessories, see page 347

Approvals, see www.wago.com

Coding Overview, see page 360

10

WINSTA® Boxes

Distribution, Three-Phase to Single-Phase Current (400 V / 230 V)

2 Circuits, 1 Input (Each), 3 Outputs (Each), A+P-Coding, WINSTA® MIDI

Description

This WINSTA® Distribution Box divides two 3-phase circuits into three single-phase circuits each (e.g., 230 V and EDP outlets).

Technical Data

Rated voltage (III / 3)

250 V / 400 V

Rated surge voltage (III / 3)

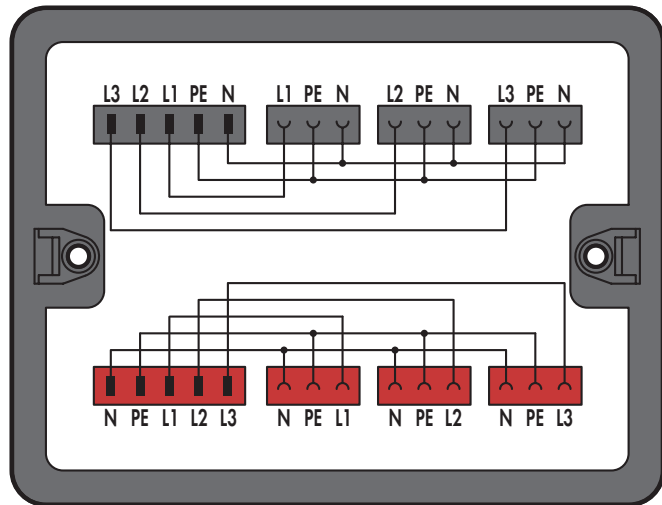
4 kV / 6 kV

Rated current

25 A

Internal wiring

4 mm²



Distribution box, three-phase to single-phase current (400 V / 230 V)

Color	Item No.	Pack. Unit
● black	899-631/302-000	1

Distribution, Three-Phase to Single-Phase Current (400 V / 230 V)

2 Circuits, 1 Input (Each), 3 Outputs (Each), A+P-Coding, WINSTA® MIDI

Description

This WINSTA® Distribution Box divides two 3-phase circuits into three single-phase circuits each (e.g., 230 V and EDP outlets).

Technical Data

Rated voltage (III / 3)

250 V / 400 V

Rated surge voltage (III / 3)

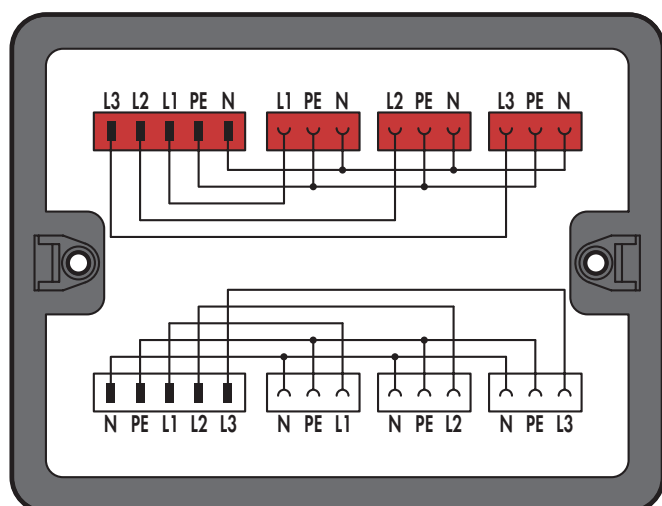
4 kV / 6 kV

Rated current

25 A

Internal wiring

4 mm²



Distribution box, three-phase to single-phase current (400 V / 230 V)

Color	Item No.	Pack. Unit
● black	899-631/350-000	1

WINSTA® Boxes**Distribution, Three-Phase to Single-Phase Current (400 V / 230 V)**

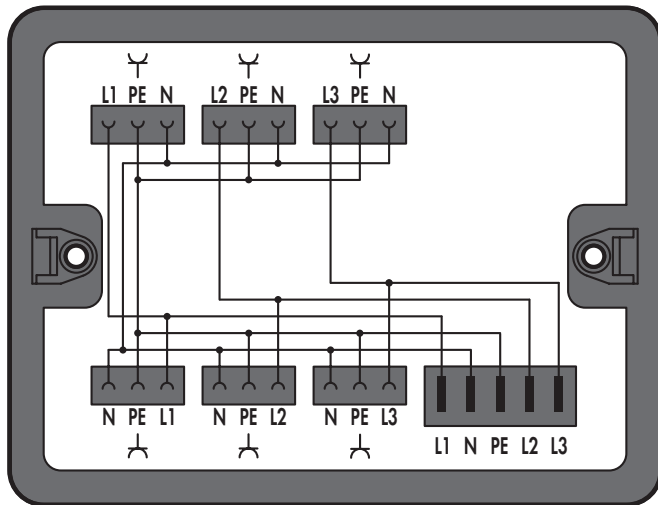
1 Input (5-Pole), 6 Outputs (3-Pole), A-Coding, WINSTA® MIDI, WINSTA® MAXI

Description

This WINSTA® Distribution Box divides a 3-phase circuit into three single-phase circuits with two outputs each. Power supply is performed via 6 mm² cable equipped with a WINSTA® MAXI Connector.

Technical Data

Rated voltage (III / 3)	250 V / 400 V
Rated surge voltage (III / 3)	4 kV / 6 kV
Rated current	25 A
Internal wiring	4 mm ²



Distribution box, three-phase to single-phase current (400 V / 230 V)

Color	Item No.	Pack. Unit
● black	899-631/149-000	1

Supply Cable Entry, Distribution, Three-Phase to Single-Phase Current (400 V/230 V)

1 Input (Terminal Strip, 5-Pole), 6 Outputs (3-Pole), A-Coding, WINSTA® MIDI

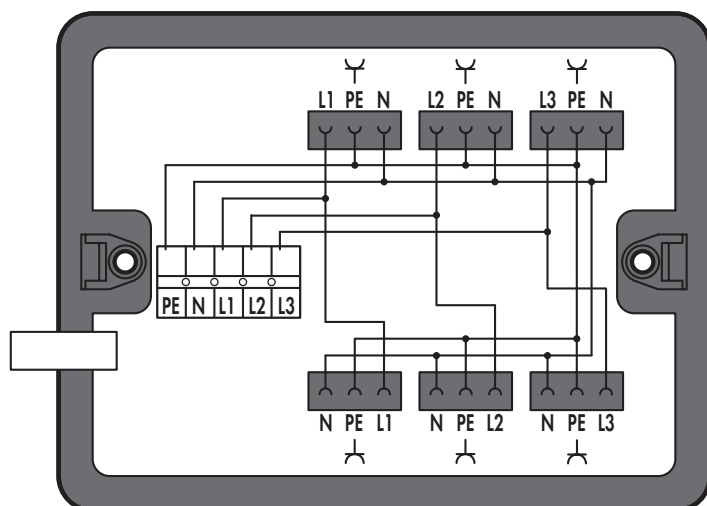
Description

Power supply is performed via standard 5-pole terminal strip. The phases L₁, L₂ and L₃ of the three-phase current are divided into three single-phase circuits with two outputs each.

Includes: One cable clamp and two mounting screws

Technical Data

Rated voltage (III / 3)	250 V / 400 V
Rated surge voltage (III / 3)	4 kV / 6 kV
Rated current	25 A
Internal wiring	4 mm ²



Distribution box, supply cable entry, three-phase to single-phase current (400 V/230 V)

Color	Item No.	Pack. Unit
● black	899-631/338-000	1

899 Series Accessories, see page 347

Approvals, see www.wago.com

Coding Overview, see page 360

WINSTA® Boxes**Supply Cable Entry, Distribution, Three-Phase to Single-Phase Current (400 V / 230 V)
1 Input (Terminal Strip, 5-Pole), 6 Outputs (3-Pole), A-Coding, WINSTA® MIDI****Description**

Power supply is performed via standard 5-pole terminal strip. The phases L₁, L₂ and L₃ of the three-phase current are divided into three single-phase circuits with two outputs each.

Includes: One cable clamp and two mounting screws

Technical Data

Rated voltage (III / 3)

250 V / 400 V

Rated surge voltage (III / 3)

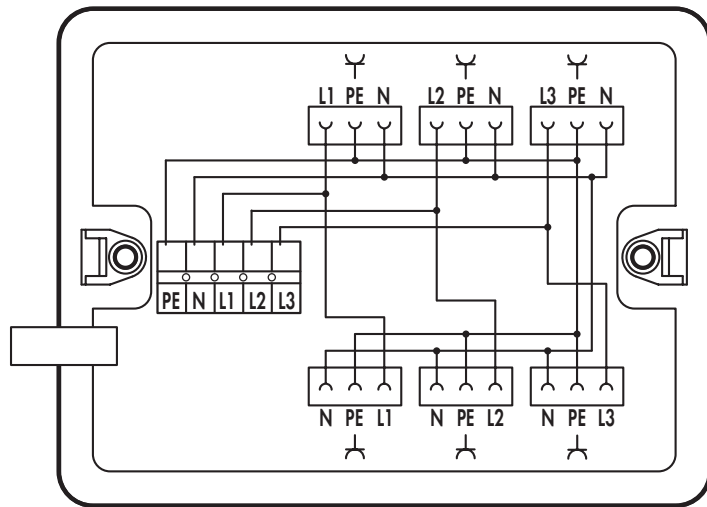
4 kV / 6 kV

Rated current

25 A

Internal wiring

4 mm²



Distribution box, supply cable entry, three-phase to single-phase current (400 V/230 V)

Color	Item No.	Pack. Unit
○ white	899-681/123-000	1

**Supply Cable Entry, Distribution, Three-Phase to Single-Phase Current (400 V/230 V)
1 Input (Terminal Strip, 5-Pole), 6 Outputs (3-Pole), P-Coding, WINSTA® MIDI****Description**

Power supply is performed via standard 5-pole terminal strip. The phases L₁, L₂ and L₃ of the three-phase current are divided into three single-phase circuits with two outputs each.

Includes: One cable clamp and two mounting screws

Technical Data

Rated voltage (III / 3)

250 V / 400 V

Rated surge voltage (III / 3)

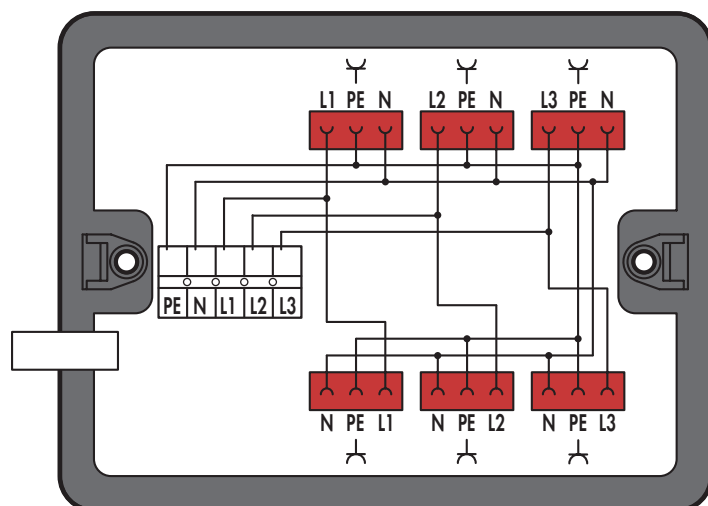
4 kV / 6 kV

Rated current

25 A

Internal wiring

4 mm²



Distribution box, supply cable entry, three-phase to single-phase current (400 V/230 V)

Color	Item No.	Pack. Unit
● black	899-631/339-000	1

WINSTA® Boxes**Supply Cable Entry, Three Networks****Power Supply (7-Pole), 6 Outputs (3-Pole), A-Coding, WINSTA® MIDI****Description**

Power supply is performed directly via connectors using a 7-pole cable. Each phase of the 3-phase current are divided into two outputs. Power supply is performed to the left or to the right.

Includes: Two cable clamps and four mounting screws

Technical Data

Rated voltage (III / 3)

250 V / 400 V

Rated surge voltage (III / 3)

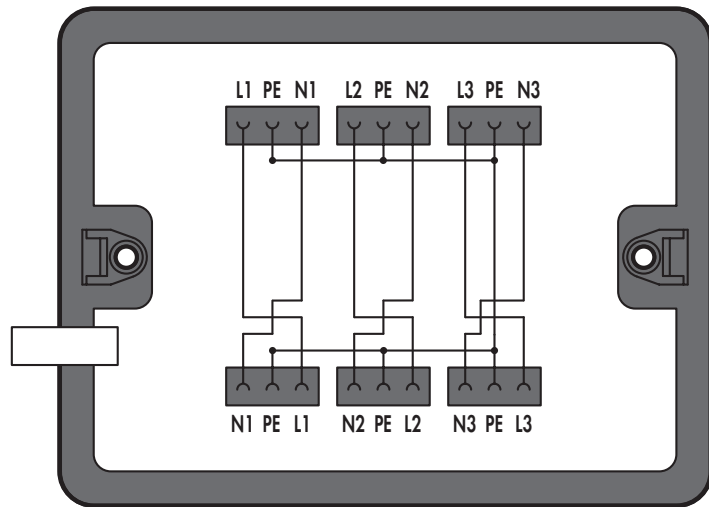
4 kV / 6 kV

Rated current

25 A

Internal wiring

4 mm²



Distribution box, supply cable entry, three networks

Color	Item No.	Pack. Unit
● black	899-631/450-000	1

Supply Cable Entry, Three Networks**Power Supply (7-Pole), 6 Outputs (3-Pole), A-Coding, WINSTA® MIDI****Description**

Power supply is performed directly via connectors using a 7-pole cable. Each phase of the 3-phase current are divided into two outputs. Power supply is performed to the left or to the right.

Includes: Two cable clamps and four mounting screws

Technical Data

Rated voltage (III / 3)

250 V / 400 V

Rated surge voltage (III / 3)

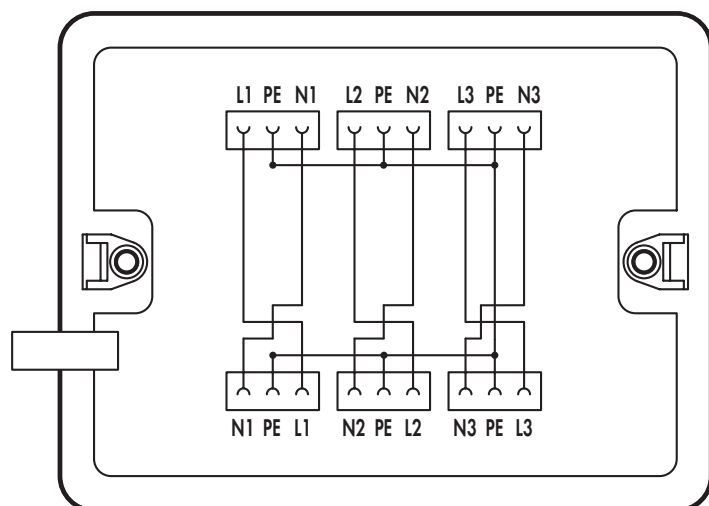
4 kV / 6 kV

Rated current

25 A

Internal wiring

4 mm²



Distribution box, supply cable entry, three networks

Color	Item No.	Pack. Unit
○ white	899-681/450-000	1

899 Series Accessories,
see page 347

Approvals,
see www.wago.com

Coding Overview,
see page 360

WINSTA® Boxes

Supply Cable Entry

Power Supply (10-Pole), 4 Outputs (4-Pole), A-Coding, WINSTA® MIDI

Description

Power supply is performed via 10-pole cable on a terminal strip.

Application example:
Blind drives control

Includes: One cable clamp and two mounting screws

Technical Data

Rated voltage (III / 3)

250 V / 400 V

Rated surge voltage (III / 3)

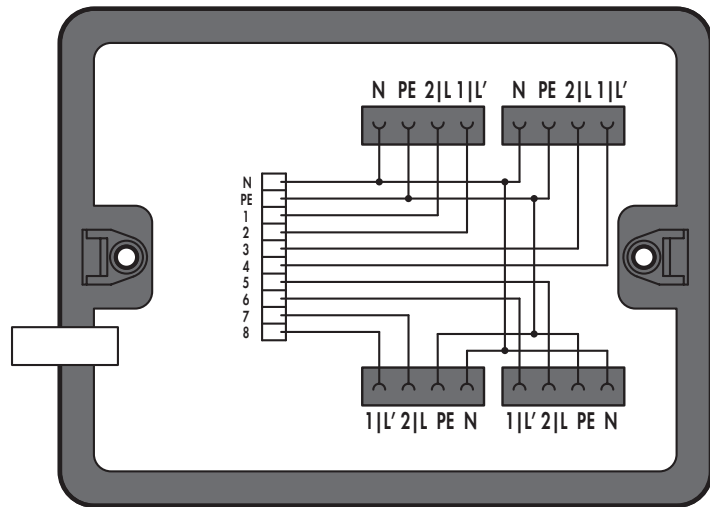
4 kV / 6 kV

Rated current

16 A

Internal wiring

1.5 mm²



Distribution box, supply cable entry

Color	Item No.	Pack. Unit
● black	899-631/453-000	1

Supply Cable Entry

Power Supply (10-Pole), 8 Outputs (2-Pole), B-Coding, WINSTA® MIDI special

Description

Power supply is performed via 10-pole cable on a terminal strip.

Application example:
Valves control

Includes: One cable clamp and two mounting screws

Technical Data

Rated voltage (III / 3)

250 V

Rated surge voltage (III / 3)

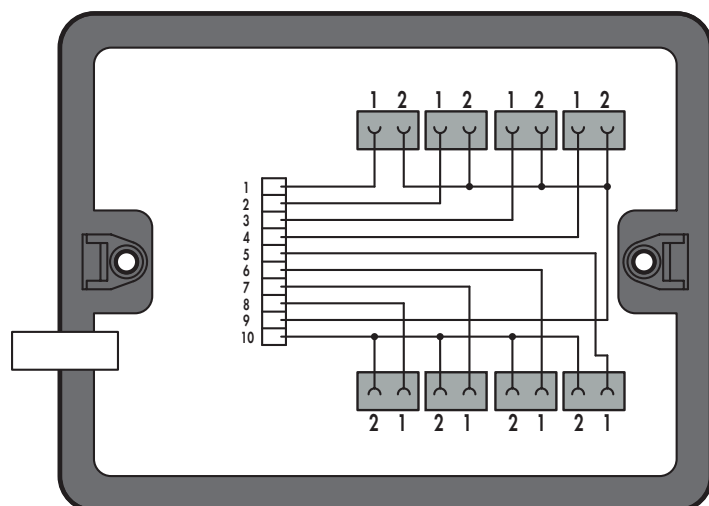
4 kV

Rated current

6 A

Internal wiring

0.75 mm²



Distribution box, supply cable entry

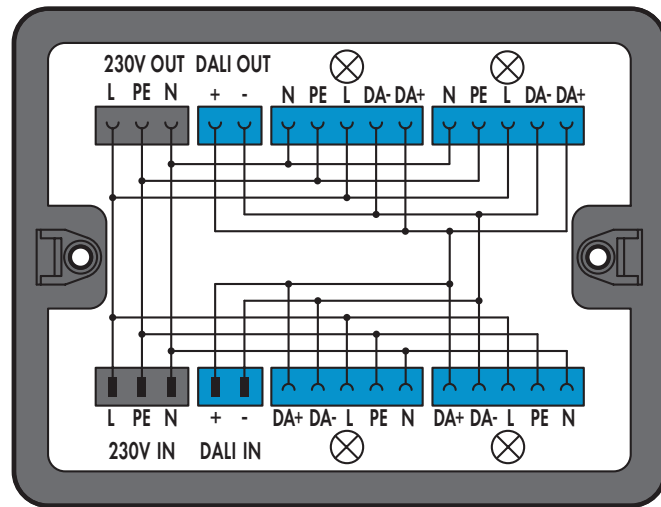
Color	Item No.	Pack. Unit
● black	899-631/454-000	1

WINSTA® Boxes**Distribution, 230 V + DALI****2 Inputs, 6 Outputs, A+I-Coding, WINSTA® MINI, WINSTA® MIDI****Description**

This WINSTA® Distribution Box connects to 5-pole DALI lights. Power supply is performed via two cables (230 V and DALI). Both cables are combined into four outputs.

Technical Data

Rated voltage (III / 3)	250 V
Rated surge voltage (III / 3)	4 kV
Rated current	25 A / 16 A
Internal wiring	4 mm ² / 1.5 mm ²



Distribution box, distribution, 230 V + DALI

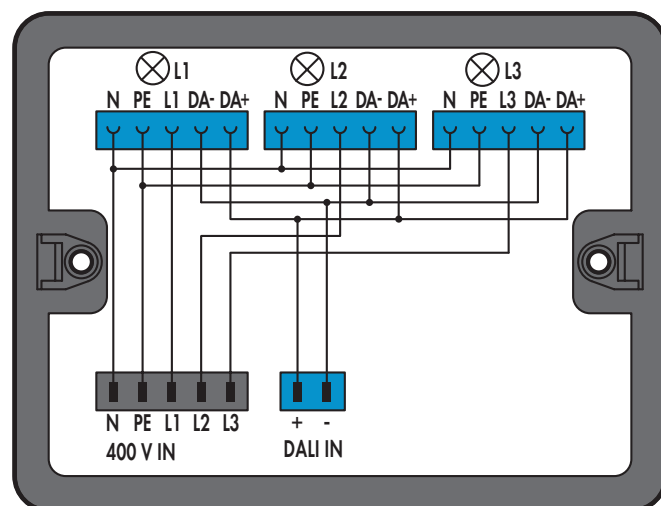
Color	Item No.	Pack. Unit
● black	899-631/181-000	1

Distribution, 400 V + DALI**2 Inputs, 6 Outputs, A+I-Coding, WINSTA® MINI, WINSTA® MIDI****Description**

This WINSTA® Distribution Box combines the L1, L2 and L3 phases of the 3-phase current with the DALI signal (separate cable).

Technical Data

Rated voltage (III / 3)	250 V / 400 V
Rated surge voltage (III / 3)	4 kV / 6 kV
Rated current	25 A / 16 A
Internal wiring	4 mm ² / 1.5 mm ²



Distribution box, distribution, 400 V + DALI

Color	Item No.	Pack. Unit
● black	899-631/354-000	1

899 Series Accessories,
see page 347

Approvals,
see www.wago.com

Coding Overview,
see page 360

WINSTA® Boxes**Distribution, 230 V + DALI****2 Inputs, 4 Outputs, A+I-Coding, WINSTA® MINI, WINSTA® MIDI****Description**

This WINSTA® Distribution Box combines the L1, L2 and L3 phases of the 3-phase current with the DALI signal (separate cable).

Technical Data

Rated voltage (III / 3)

250 V / 400 V

Rated surge voltage (III / 3)

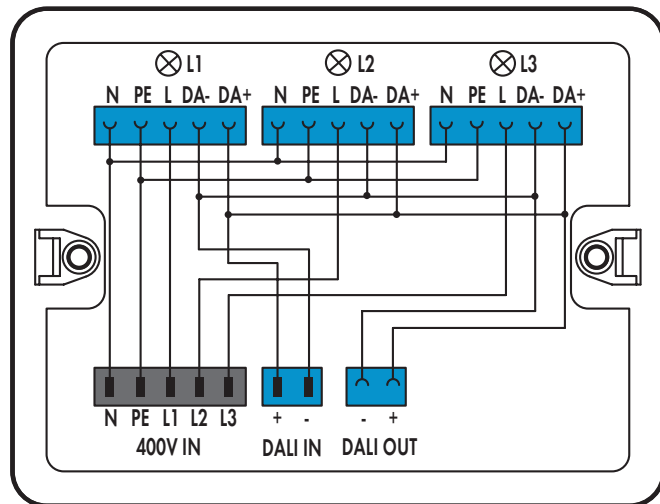
4 kV / 6 kV

Rated current

25 A / 16 A

Internal wiring

4 mm² / 1.5 mm²



Distribution box, distribution, 400 V + DALI

Color	Item No.	Pack. Unit
○ white	899-681/129-000	1

Distribution, 400 V + DALI**2 Inputs, 5 Outputs, A+I-Coding, WINSTA® MINI, WINSTA® MIDI****Description**

This WINSTA® Distribution Box combines the L1, L2 and L3 phases of the 3-phase current with the DALI signal (separate cable).

Technical Data

Rated voltage (III / 3)

250 V / 400 V

Rated surge voltage (III / 3)

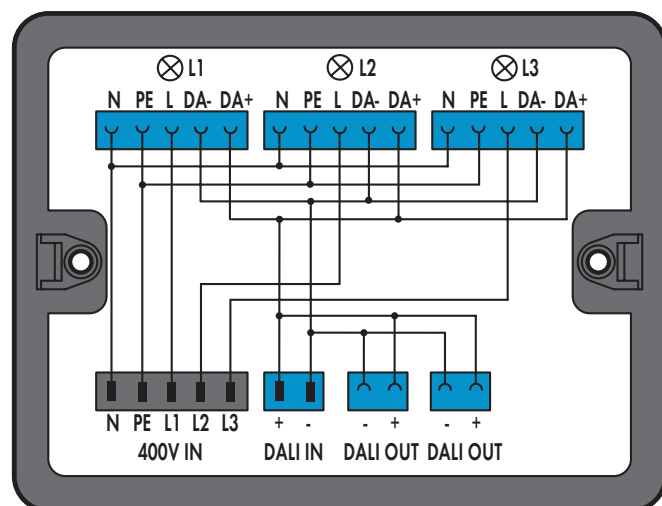
4 kV / 6 kV

Rated current

25 A / 16 A

Internal wiring

2.5 mm² / 1.5 mm²



Distribution box, distribution, 400 V + DALI

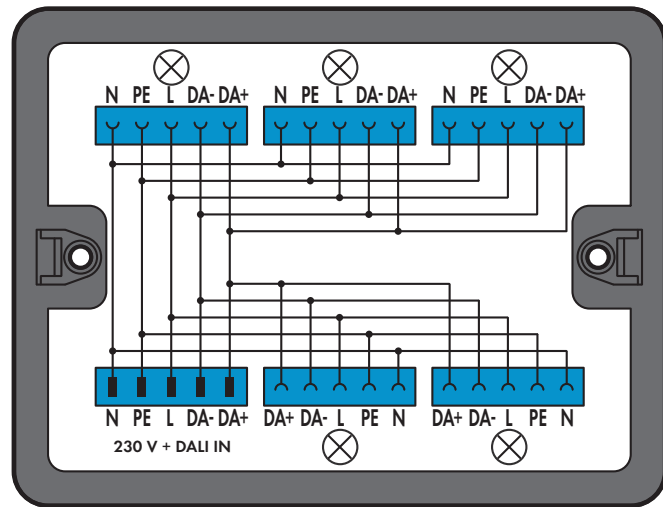
Color	Item No.	Pack. Unit
● black	899-631/455-000	1

WINSTA® Boxes**Distribution, 230 V + DALI****1 Input, 5 Outputs, I-Coding, WINSTA® MIDI****Description**

This WINSTA® Distribution Box connects to 5-pole DALI lights.
Both 230 V power supply and DALI bus for light scene control are combined into a single line.

Technical Data

Rated voltage (III / 3)	250 V
Rated surge voltage (III / 3)	4 kV
Rated current	20 A
Internal wiring	2.5 mm ²



Distribution box, distribution, 230 V + DALI

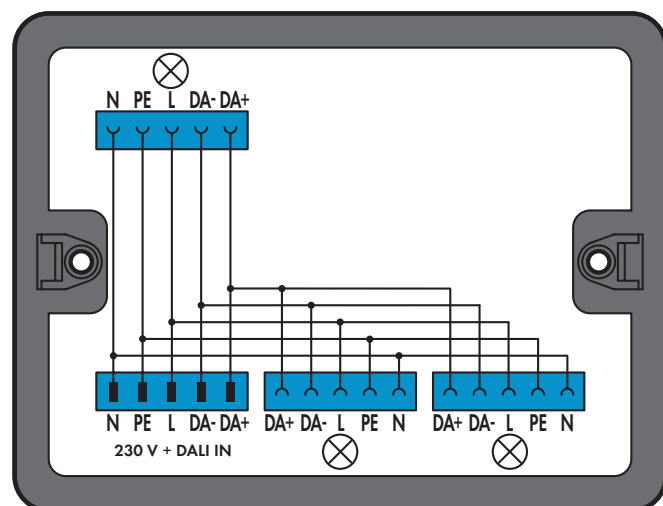
Color	Item No.	Pack. Unit
● black	899-631/313-000	1

Distribution, 230 V + DALI**1 Input, 3 Outputs, I-Coding, WINSTA® MIDI****Description**

This WINSTA® Distribution Box connects to three DALI lights.

Technical Data

Rated voltage (III / 3)	250 V
Rated surge voltage (III / 3)	4 kV
Rated current	20 A
Internal wiring	2.5 mm ²



Distribution box, distribution, 230 V + DALI

Color	Item No.	Pack. Unit
● black	899-631/319-000	1

899 Series Accessories,
see page 347

Approvals,
see www.wago.com

Coding Overview,
see page 360

WINSTA® Boxes

Distribution, 230 V + SMI

2 Inputs, 6 Outputs, A+B-Coding

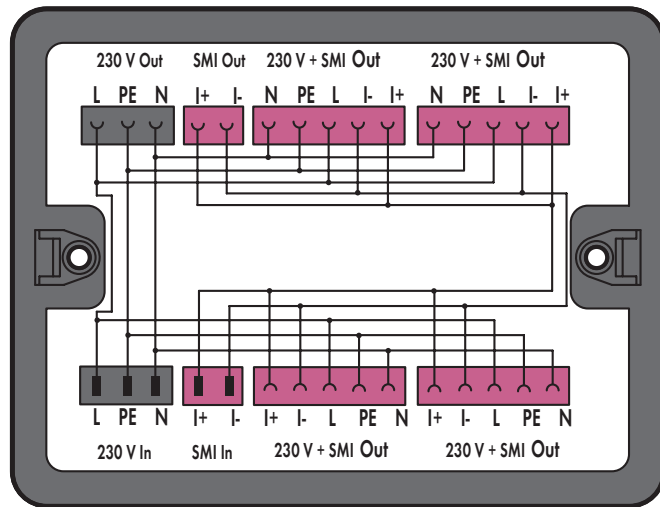
Description

This WINSTA® Distribution Box combines the L1, L2 and L3 phases of the 3-phase current with the DALI signal (separate cable).

WINSTA® MINI special
WINSTA® MIDI
WINSTA® MIDI special

Technical Data

Rated voltage (III / 3)	250 V
Rated surge voltage (III / 3)	4 kV
Rated current	25 A / 16 A
Internal wiring	4 mm ² / 1.5 mm ²



Distribution box, distribution, 230 V + SMI

Color	Item No.	Pack. Unit
● black	899-631/405-000	1

Distribution, 230 V + SMI

2 Inputs, 5 Outputs, A+B-Coding

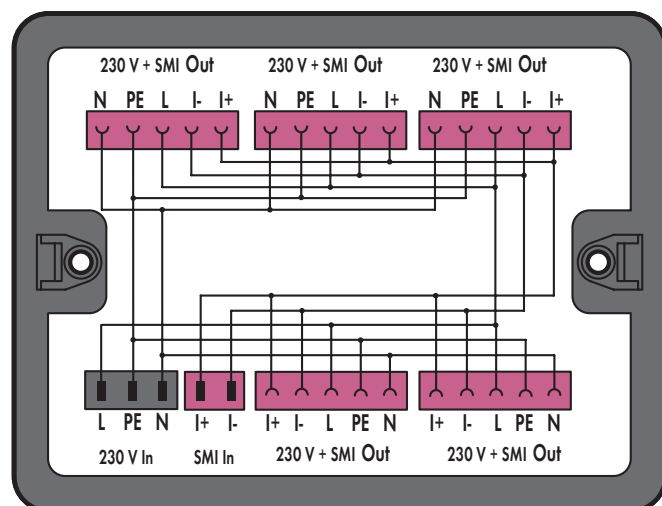
Description

This WINSTA® Distribution Box connects to 5-pole SMI drives. Power supply is performed via two cables (230 V and SMI). Both cables are combined into four outputs.

WINSTA® MINI special
WINSTA® MIDI
WINSTA® MIDI special

Technical Data

Rated voltage (III / 3)	250 V
Rated surge voltage (III / 3)	4 kV
Rated current	20 A / 16 A
Internal wiring	2.5 mm ² / 1.5 mm ²



Distribution box, distribution, 230 V + SMI

Color	Item No.	Pack. Unit
● black	899-631/444-000	1

WINSTA® Boxes

Distribution, 230 V + SMI

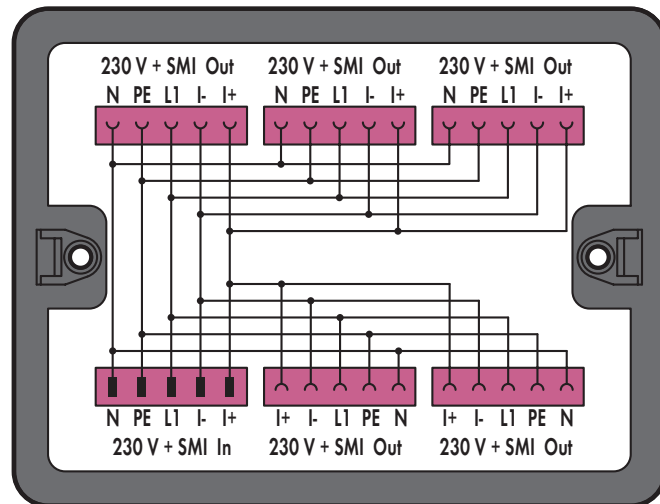
1 Input, 5 Outputs, B-Coding, WINSTA® MIDI special

Description

This WINSTA® Distribution Box connects to 5-pole SMI drives; 230 V power supply and SMI signal are combined into a single line.

Technical Data

Rated voltage (III / 3)	250 V
Rated surge voltage (III / 3)	4 kV
Rated current	20 A / 16 A
Internal wiring	2.5 mm ² / 1.5 mm ²



Distribution box, distribution, 230 V + SMI		
Color	Item No.	Pack. Unit
● black	899-631/421-000	1

Motion and Presence Detectors, ESYLUX

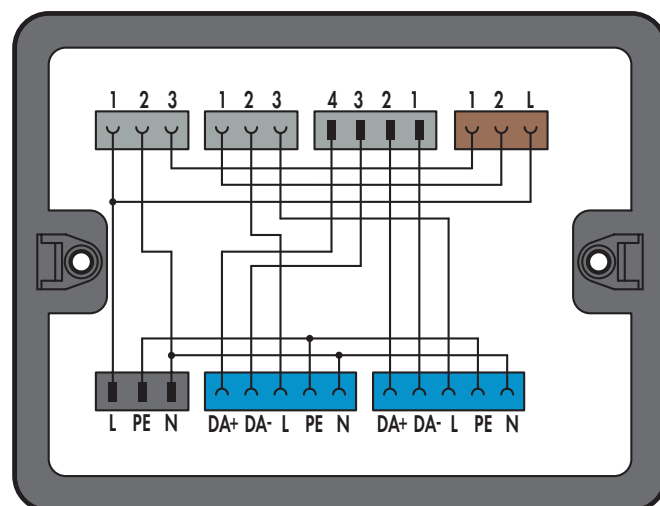
2 Inputs, 5 Outputs, A-, B-, I-, S-Coding, WINSTA® MINI

Description

This WINSTA® Distribution Box connects to ESY-LUX presence detectors.

Technical Data

Rated voltage (III / 3)	250 V
Rated surge voltage (III / 3)	4 kV
Rated current	20 A
Internal wiring	2.5 mm ²



Distribution box, motion and presence detectors, ESYLUX		
Color	Item No.	Pack. Unit
● black	899-631/442-000	1

899 Series Accessories, see page 347

Approvals, see www.wago.com

Coding Overview, see page 360

WINSTA® Boxes

Motion and Presence Detectors, ESYLUX

1 Input, 5 Outputs, A-, B-, S-Coding, WINSTA® MIDI

Description

This WINSTA® Distribution Box connects to ESYLUX presence detectors.

Technical Data

Rated voltage (III / 3)

250 V

Rated surge voltage (III / 3)

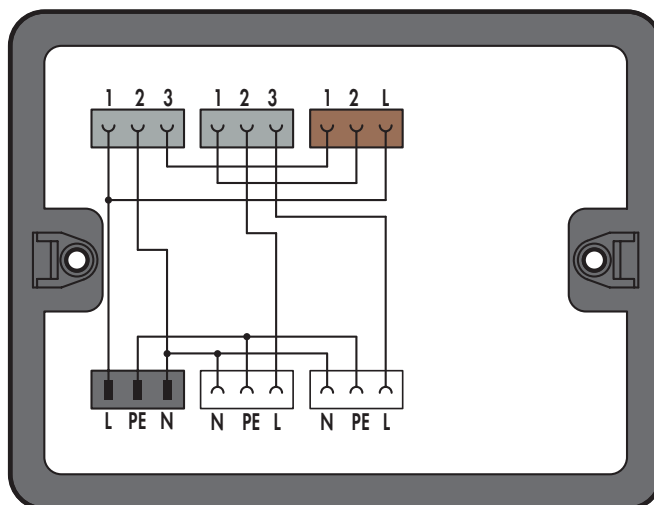
4 kV

Rated current

20 A

Internal wiring

2.5 mm²



Distribution box, motion and presence detectors, ESYLUX

Color	Item No.	Pack. Unit
● black	899-631/443-000	1

Motion and Presence Detectors

1 Input, 2 Lights, 1 Motion Detector, A+S-Coding, WINSTA® MIDI

Description

This WINSTA® Distribution Box connects to one motion detector and two lights.

Technical Data

Rated voltage (III / 3)

250 V

Rated surge voltage (III / 3)

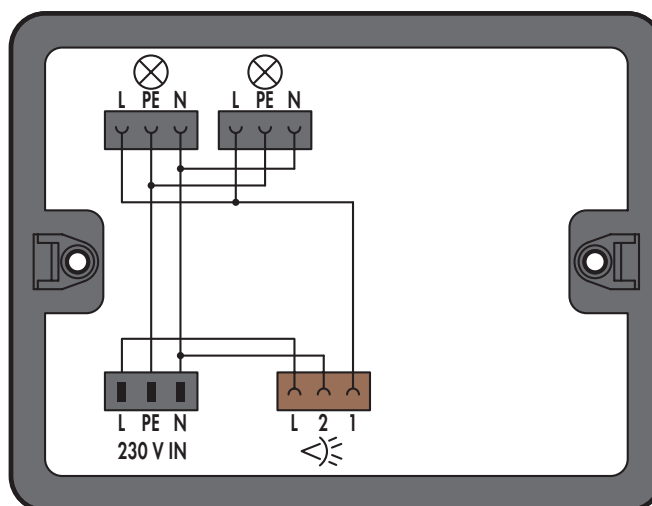
4 kV

Rated current

25 A

Internal wiring

4 mm²



Distribution box, motion and presence detectors

Color	Item No.	Pack. Unit
● black	899-631/309-000	1

WINSTA® Boxes

Motion and Presence Detectors

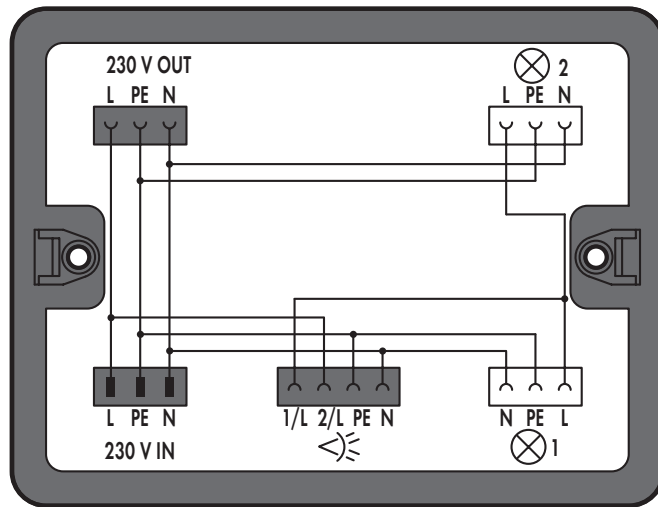
Through Wiring (3-Pole), 2 Lights, 1 Motion Detector, A-Coding, WINSTA® MIDI

Description

This WINSTA® Distribution Box connects to one motion detector and two lights.

Technical Data

Rated voltage (III / 3)	250 V
Rated surge voltage (III / 3)	4 kV
Rated current	25 A
Internal wiring	4 mm ²



Distribution box, motion and presence detectors		
Color	Item No.	Pack. Unit
● black	899-631/374-000	1

Motion and Presence Detectors

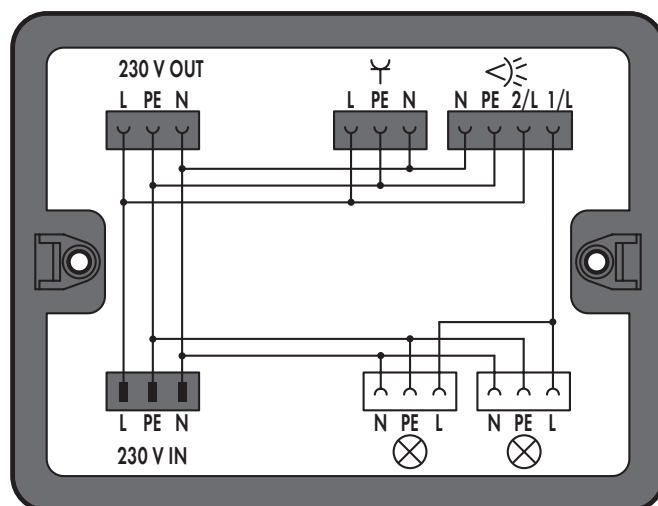
Through Wiring (3-Pole), 2 Lights, 1 Motion Detector, A-Coding, WINSTA® MIDI

Description

This WINSTA® Distribution Box connects to one motion detector, two lights and one outlet.

Technical Data

Rated voltage (III / 3)	250 V
Rated surge voltage (III / 3)	4 kV
Rated current	25 A
Internal wiring	4 mm ²



Distribution box, motion and presence detectors		
Color	Item No.	Pack. Unit
● black	899-631/180-000	1

- 899 Series Accessories, see page 347
- Approvals, see www.wago.com
- Coding Overview, see page 360

10

WINSTA® Boxes

On/Off Switching

1 Input, 5 Outputs, 1 Light, 1 Switch, A+S-Coding, WINSTA® MIDI

Description

This WINSTA® Box features one on/off switch for five power outlets and one light.

Technical Data

Rated voltage (III / 3)

250 V

Rated surge voltage (III / 3)

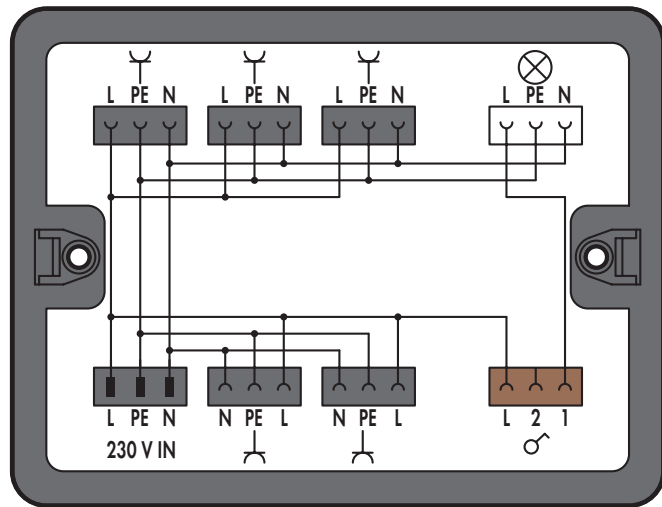
4 kV

Rated current

25 A

Internal wiring

4 mm²



Distribution box, on/off switching

Color	Item No.	Pack. Unit
● black	899-631/304-000	1

On/Off Switching

1 Input, 3 Outputs, 2 Lights, 2 Switches, A+S-Coding, WINSTA® MIDI

Description

This WINSTA® Distribution Box features two on/off switches for three power outlets and two lights.

Technical Data

Rated voltage (III / 3)

250 V

Rated surge voltage (III / 3)

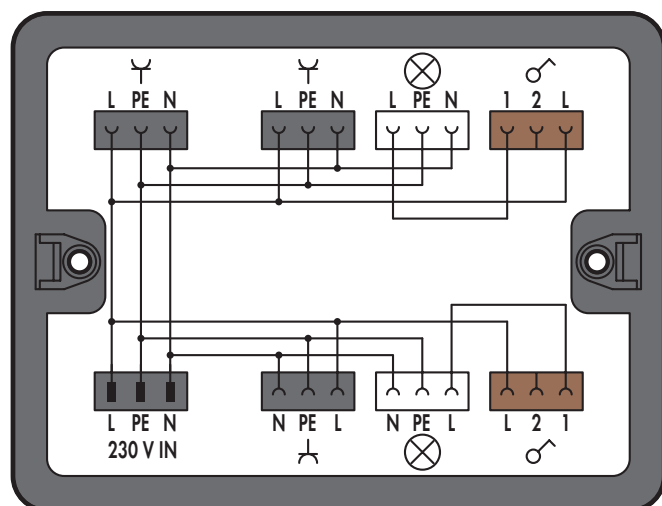
4 kV

Rated current

25 A

Internal wiring

4 mm²



Distribution box, on/off switching

Color	Item No.	Pack. Unit
● black	899-631/123-000	1

WINSTA® Boxes

On/Off Switching

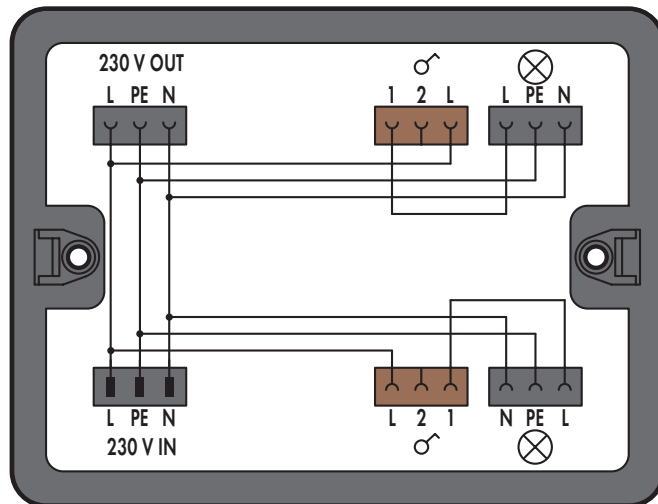
1 Input, 1 Output, 2 Lights, 2 Switches, A+S-Coding, WINSTA® MIDI

Description

This WINSTA® Distribution Box features two on/off switches for one light each.

Technical Data

Rated voltage (III / 3)	250 V
Rated surge voltage (III / 3)	4 kV
Rated current	25 A
Internal wiring	4 mm ²



Distribution box, on/off switching

Color	Item No.	Pack. Unit
● black	899-631/363-000	1

Series Switching

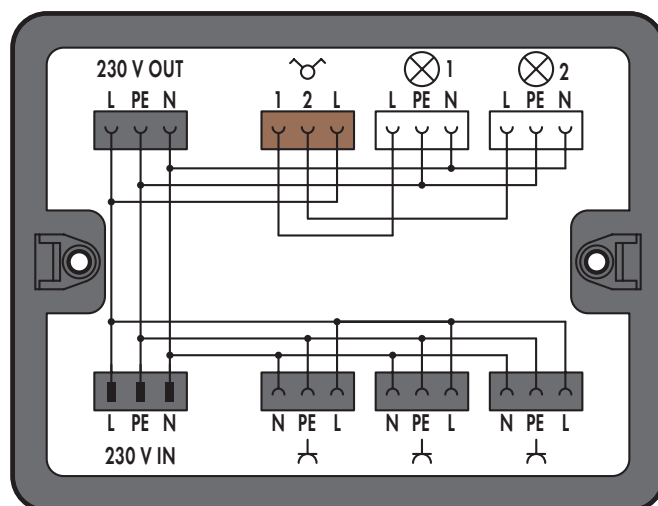
1 Input, 4 Outputs, 2 Lights, 1 Switch, A+S-Coding, WINSTA® MIDI

Description

This WINSTA® Distribution Box features one series switch and is designed for through wiring and outlet connections.

Technical Data

Rated voltage (III / 3)	250 V
Rated surge voltage (III / 3)	4 kV
Rated current	25 A
Internal wiring	4 mm ²



Distribution box, series switching

Color	Item No.	Pack. Unit
● black	899-631/130-000	1

10

899 Series Accessories, see page 347

Approvals, see www.wago.com

Coding Overview, see page 360

WINSTA® Boxes

Series Switching

1 Input, 1 Output, 4 Lights, 2 Switches, A+S-Coding, WINSTA® MIDI

Description

This WINSTA® Distribution Box features two series switches with pluggable connectors.

Technical Data

Rated voltage (III / 3)

250 V

Rated surge voltage (III / 3)

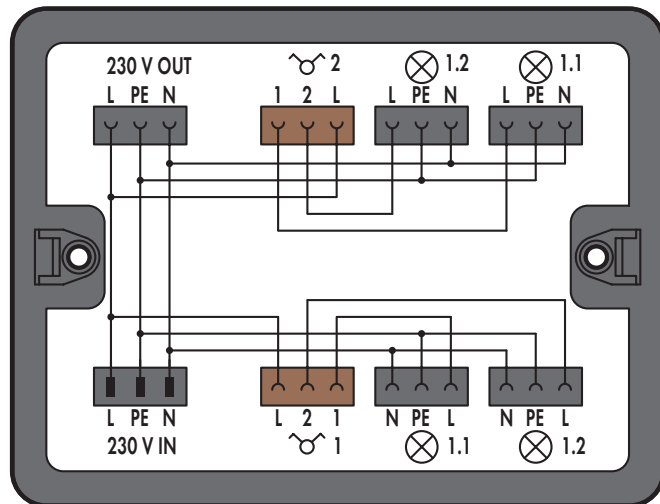
4 kV

Rated current

25 A

Internal wiring

4 mm²



Distribution box, series switching

Color	Item No.	Pack. Unit
● black	899-631/386-000	1

Changeover Switching

1 Input, 3 Outputs, 2 Lights, 2 Switches, A+S-Coding, WINSTA® MIDI

Description

This WINSTA® Distribution Box features two changeover switches and connects to three power outlets.

The distribution box is fitted on the 770-680 Mounting Plate.

Technical Data

Rated voltage (III / 3)

250 V

Rated surge voltage (III / 3)

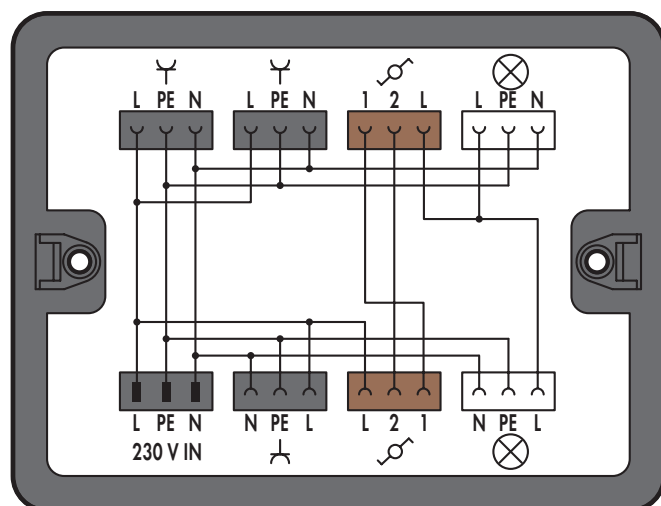
4 kV

Rated current

25 A

Internal wiring

4 mm²



Distribution box, on/off switching

Color	Item No.	Pack. Unit
● black	899-631/189-000	1

WINSTA® Boxes

Changeover Switching

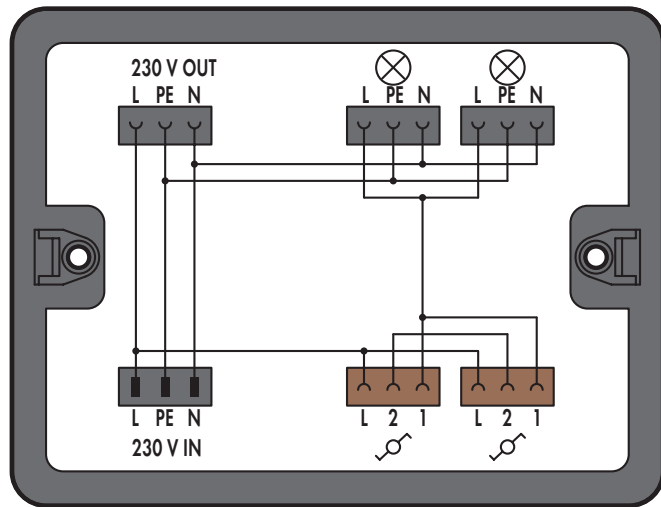
1 Input, 1 Output, 2 Lights, 2 Switches, A+S-Coding, WINSTA® MIDI

Description

This WINSTA® Distribution Box features two economy changeover switches for two lights.

Technical Data

Rated voltage (III / 3)	250 V
Rated surge voltage (III / 3)	4 kV
Rated current	25 A
Internal wiring	4 mm ²



Distribution box, changeover switching

Color	Item No.	Pack. Unit
● black	899-631/308-000	1

Crossover Switching

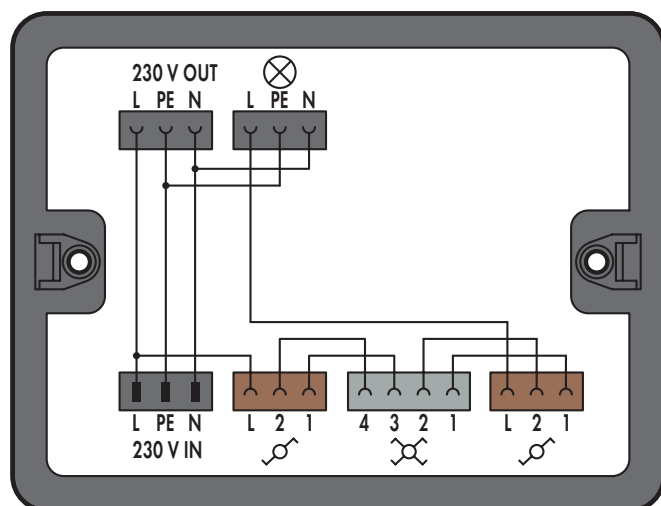
1 Input, 1 Output, 1 Light, 3 Switches, A+B+S-Coding, WINSTA® MIDI

Description

This WINSTA® Distribution Box features one crossover switch.

Technical Data

Rated voltage (III / 3)	250 V
Rated surge voltage (III / 3)	4 kV
Rated current	25 A
Internal wiring	4 mm ²



Distribution box, crossover switching

Color	Item No.	Pack. Unit
● black	899-631/305-000	1

10

899 Series Accessories, see page 347

Approvals, see www.wago.com

Coding Overview, see page 360

WINSTA® Boxes

Cable and Device Protection

1 Input, 4 Outputs, A-Coding, WINSTA® MIDI

Description

This WINSTA® Distribution Box protects four components within a device (5 x 20 mm fuse holder). Power supply is performed using a 3-pole connecting cable.

Technical Data

Rated voltage (III / 3)

250 V

Rated surge voltage (III / 3)

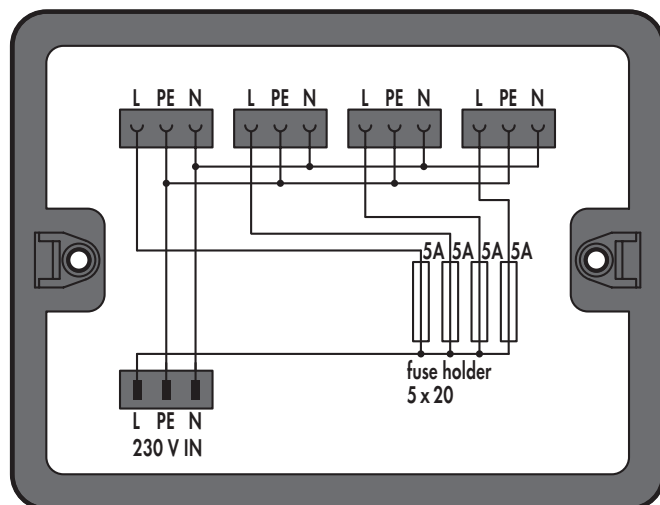
4 kV

Rated current

5 A

Internal wiring

2.5 mm²



Distribution box, series switching

Color

● black

Item No.

899-631/315-000

Pack. Unit

1

Surge Protection (Type 3)

1 Input, 4 Outputs, A-Coding, WINSTA® MIDI

Description

This WINSTA® Distribution Box is equipped with a "Type 3" surge suppression device (DEHN 953 200) allowing four 3-pole pluggable outputs to be protected. Power supply is performed using a 3-pole connecting cable.

Technical Data

Rated voltage (III / 3)

250 V

Rated surge voltage (III / 3)

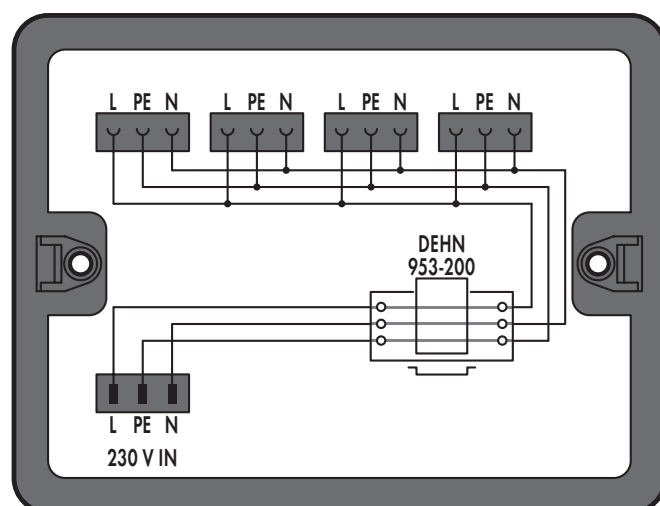
4 kV

Rated current

20 A

Internal wiring

2.5 mm²



Distribution box, surge protection (type 3)

Color

● black

Item No.

899-632/182-000

Pack. Unit

1

WINSTA® Boxes

Switching with Latching Relay

1 Input, 1 Light, 3 Push-Buttons, A+S-Coding, WINSTA® MIDI

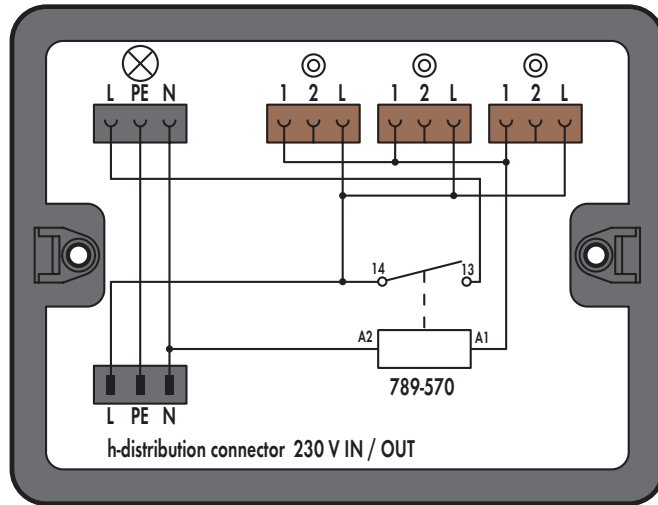
Description

This WINSTA® Distribution Box features one latching relay (three push-buttons, one light). Power supply (230 V, through wiring) is performed using the provided h-distribution connector.

Includes: One 770-633 h-Distribution Connector

Technical Data

Rated voltage (III / 3)	250 V
Rated surge voltage (III / 3)	4 kV
Rated current	16 A
Internal wiring	2.5 mm ²



Distribution box, switching with latching relay		
Color	Item No.	Pack. Unit
● black	899-632/101-000	1

Switching with Latching Relay

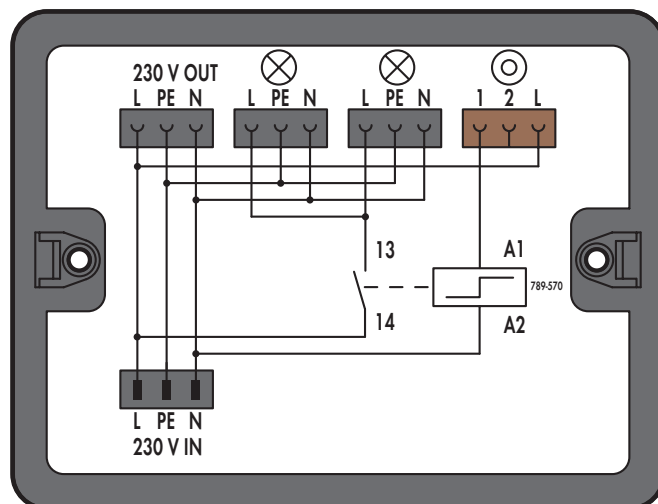
Through Wiring (3-Pole), 2 Outputs, 1 Push-Button, A+S-Coding, WINSTA® MIDI

Description

This WINSTA® Distribution Box features one latching relay (one push-button, two lights).

Technical Data

Rated voltage (III / 3)	250 V
Rated surge voltage (III / 3)	4 kV
Rated current	16 A
Internal wiring	4 mm ² / 2.5 mm ²



Distribution box, crossover switching		
Color	Item No.	Pack. Unit
● black	899-632/199-000	1

899 Series Accessories, see page 347

Approvals, see www.wago.com

Coding Overview, see page 360

WINSTA® Boxes

Switching with Latching Relay

Through Wiring (3-Pole), 1 Light, 2 Push-Buttons, A+S-Coding , WINSTA® MIDI

Description

This WINSTA® Distribution Box features one latching relay (two push-buttons, one light).

Technical Data

Rated voltage (III / 3)

250 V

Rated surge voltage (III / 3)

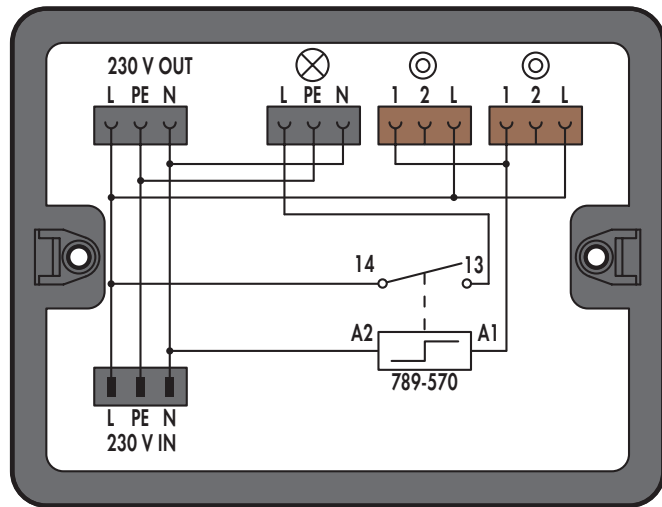
4 kV

Rated current

25 A / 16 A

Internal wiring

4 mm² / 2.5 mm²



Distribution box, switching with latching relay

Color

● black

Item No.

899-632/138-000

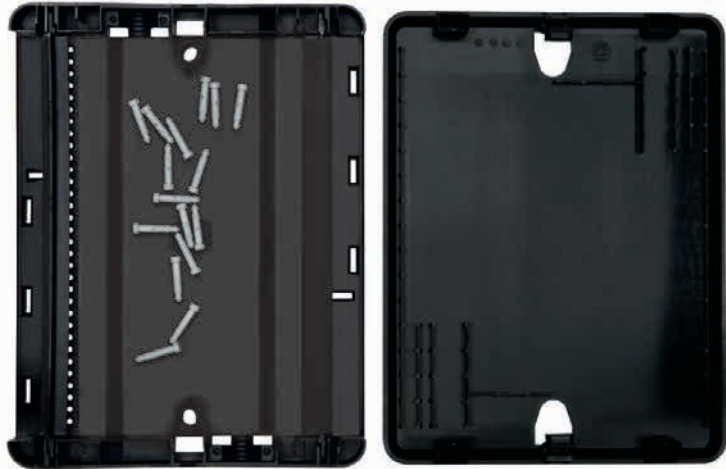
Pack. Unit

1

WINSTA® Boxes Distribution Box for Self-Assembly

Description

This WINSTA® Distribution Box is designed for custom assembly/wiring and includes: 1 bottom, 1 lid, 2 sidewalls and 16 MIDI mounting pins.

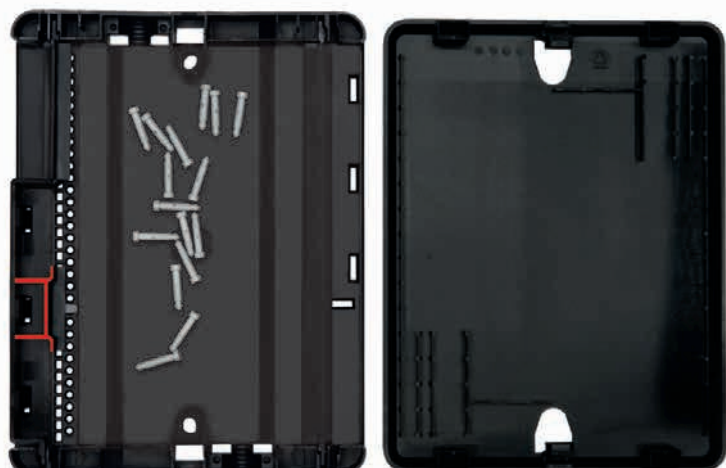


Distribution Box for Self-Assembly		
Color	Item No.	Pack. Unit
● black	899-631	1
○ white	899-681	1

Distribution Box for Self-Assembly

Description

This WINSTA® Distribution Box is designed for custom wiring with an electronic module (1 module on DIN-35 rail) and includes: 1 bottom, 1 lid, 1 sidewall, 1 sidewall with DIN-35 rail and 10 MIDI mounting pins.



899 Series Accessories, see page 347

Approvals, see www.wago.com

Coding Overview, see page 360







Distribution Box for Self-Assembly		
Color	Item No.	Pack. Unit
● black	899-632	1
○ white	899-682	1

10



Accessories and Tools

WINSTA® Accessories and Tools

	Page
	WINSTA® MINI and MINI special, 890 Series Accessories 340
	WINSTA® MIDI and MIDI special, 770 Series Accessories 343
	WINSTA® IDC, 772, 895 and 897 Series Accessories 348
	WINSTA® Boxes, 899 Series Accessories 349
	Tools
	Operating Tools 352
	Cable Cutter 353
	Wire Strippers 354
	Stripping Pliers, Cable Cutters, Stripping Knives 355
	Wiring Aid 356
	Marking
	Markers 357
	Self-Adhesive Marking Strips 357

WINSTA® MINI / WINSTA® MINI special Accessories 890 / 891 Series



Locking lever,
for flying leads,
manually operated

Color	Item No.	Pack. Unit
black	890-101	100(50)
white	890-121	100(50)



Locking lever,
for flying leads,
tool operated

Color	Item No.	Pack. Unit
black	890-111	100(50)
white	890-131	100(50)

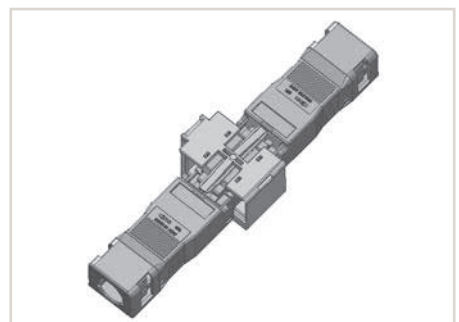


Mounting adapter,
for 2- to 5-pole for flying leads

Color	Item No.	Pack. Unit
black	890-310	100
white	890-311	100



All connectors for mounted installations (snap-in versions, pluggable PCB connectors, distribution connectors) are factory-equipped with locking levers to ensure plugs and sockets are securely locked. Additional locking levers are only required for flying leads (plug/socket).



Locking connector via integrated lever.
Locking second connector for a secure connection.



Lockout cap, for cutout, 2-pole		
Color	Item No.	Pack. Unit
black	890-642	100
white	890-692	100



Shield connecting plate, for 3-pole plugs and sockets		
Item No.	Pack. Unit	
890-523	50	

Lockout cap, for cutout, 3-pole		
Color	Item No.	Pack. Unit
black	890-643	100
white	890-693	100

Lockout cap, for cutout, 4-pole		
Color	Item No.	Pack. Unit
black	890-644	100
white	890-694	100

Lockout cap, for cutout, 5-pole		
Color	Item No.	Pack. Unit
black	770-643	100
white	770-693	100



Seal unused cutout with lockout cap.



Connector with shield termination

WINSTA® MINI / WINSTA® MINI special**Accessories****890 / 891 Series**

Mounting plate for distribution connector, 2-pole		
Color	Item No.	Pack. Unit
black	890-1622	100
white	890-1672	100

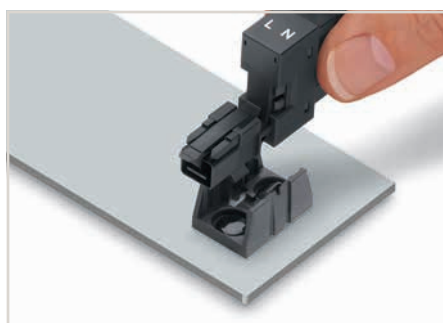


Mounting pin, for mounting plates, 5 mm Ø, 0.2 ... 1.2 mm plate thickness		
Color	Item No.	Pack. Unit
black	890-601	250

Mounting plate for distribution connector, 3-pole		
Color	Item No.	Pack. Unit
black	890-623	100
white	890-673	100

Mounting plate for distribution connector, 4-pole		
Color	Item No.	Pack. Unit
black	890-624	50
white	890-674	50

Mounting plate for distribution connector, 5-pole		
Color	Item No.	Pack. Unit
black	890-625	50
white	890-675	50



The distribution connectors snap together when attached to the mounting plate.



Secure the mounting plate via pins.

WINSTA® MIDI / WINSTA® MIDI special Accessories 770 / 771 Series



Locking lever, for flying leads, manually operated

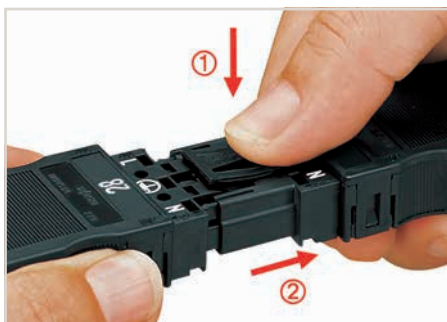
Color	Item No.	Pack. Unit
black	770-101	100(25)
white	770-121	100(25)

Locking lever, for flying leads, tool operated

Color	Item No.	Pack. Unit
black	770-111	100(25)
white	770-131	100(25)

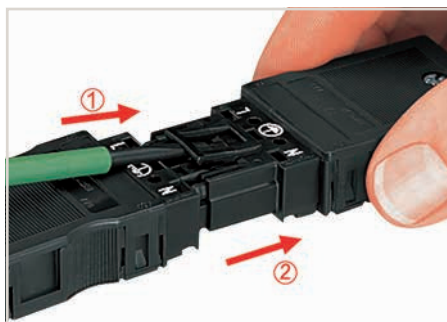
Locking lever, oversized, tool operated

Color	Item No.	Pack. Unit
gray	770-140	100(25)



Locking lever, manually operated:

- Push on locking lever
- Pull the connectors apart



Locking lever, tool operated:

- Unlatch locking lever
- Pull the connectors apart



Snap-in connector with protruding locking lever

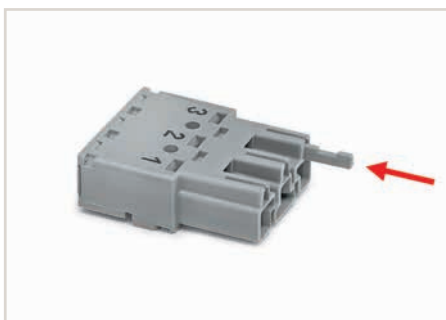
WINSTA® MIDI / WINSTA® MIDI special Accessories 770 / 771 Series



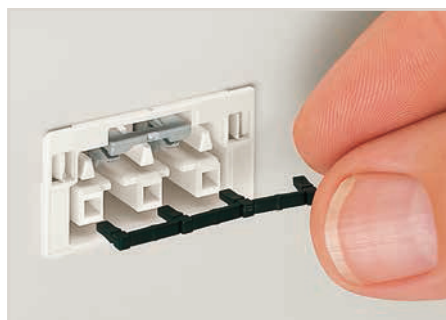
Coding pin, for plug (A- and B-coding)		
Color	Item No.	Pack. Unit
gray	770-401	100

Lockout cap, for socket, separable, 12-pole		
Color	Item No.	Pack. Unit
black	770-201	100
white	770-221	100

Lockout cap, for plug, separable, 5-pole		
Color	Item No.	Pack. Unit
yellow	770-360	100



Insert coding pin into the plug.



Seal an unmated socket by simply inserting a lock-out cap. This prevents the smallest particles from entering the socket.



Lockout cap, for cutout, 3-pole		
Color	Item No.	Pack. Unit
black	770-643	100
white	770-693	100



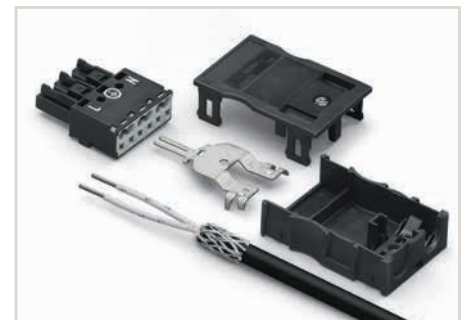
Shield connecting plate, for 3-pole plugs and sockets		
Item No.	Pack. Unit	
770-523	25	

Lockout cap, for cutout, 4-pole		
Color	Item No.	Pack. Unit
black	770-644	100
white	770-694	100

Lockout cap, for cutout, 5-pole		
Color	Item No.	Pack. Unit
black	770-645	100
white	770-695	100



Seal unused cutout with lockout cap.



Connector with shield termination

WINSTA® MIDI / WINSTA® MIDI special

Accessories

770 / 771 Series



Mounting plate for distribution connector, 2-pole		
Color	Item No.	Pack. Unit
black	770-1626	25
white	770-1627	25

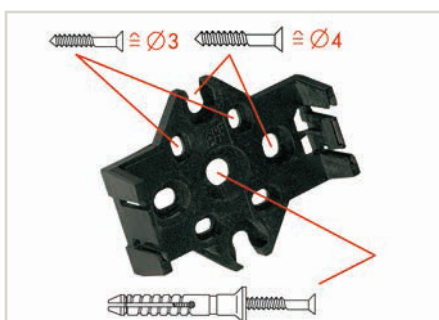


Mounting pin, for mounting plates, 6 mm Ø, 1 ... 2.5 mm plate thickness		
Color	Item No.	Pack. Unit
black	770-601	250

Mounting plate for distribution connector, 3-pole		
Color	Item No.	Pack. Unit
black	770-623	25
white	770-673	25

Mounting plate for distribution connector, 4-pole		
Color	Item No.	Pack. Unit
black	770-624	25
white	770-674	25

Mounting plate for distribution connector, 5-pole		
Color	Item No.	Pack. Unit
black	770-625	25
white	770-675	25



The mounting plate for distribution connectors can be mounted using commercially available screws or nail-drive anchors.



Secure the mounting plate via pins.

WINSTA® Boxes Accessories 899 Series



Adapter for distribution boxes, for *WINSTA*® MINI connectors and *WINSTA*® MINI special connectors, 2-pole

Color	Item No.	Pack. Unit
gray	890-302	100



Mounting pin for distribution boxes, for *WINSTA*® MIDI connectors and *WINSTA*® MIDI special connectors

Color	Item No.	Pack. Unit
gray	770-630	100



Mounting plate, for distribution boxes

Item No.	Pack. Unit
770-680	25

Adapter for distribution boxes, for *WINSTA*® MINI connectors and *WINSTA*® MINI special connectors, 3-pole

Color	Item No.	Pack. Unit
gray	890-303	100

Adapter for distribution boxes, for *WINSTA*® MINI connectors and *WINSTA*® MINI special connectors, 4-pole

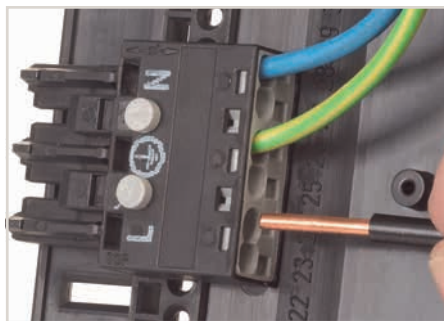
Color	Item No.	Pack. Unit
gray	890-304	100

Adapter for distribution boxes, for *WINSTA*® MINI connectors and *WINSTA*® MINI special connectors, 5-pole

Color	Item No.	Pack. Unit
gray	890-305	100



Using adapters to install *WINSTA*® MINI and *WINSTA*® MINI special connectors in a distribution box.



Using mounting pins to secure *WINSTA*® MIDI and *WINSTA*® MIDI special connectors in a distribution box.



Wall-mounted *WINSTA*® Distribution Box

WINSTA® IDC Accessories 772 Series



Mounting plate,
for supply and tap-off modules

Color	Item No.	Pack. Unit
black	772-260	10



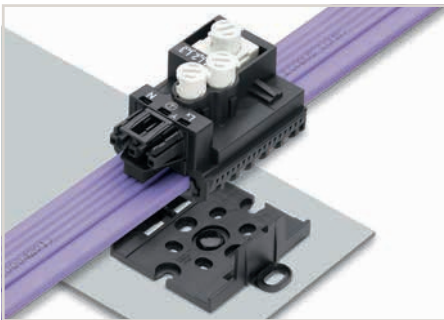
Mounting pin,
for mounting plates,
6 mm Ø, 1 ... 2.5 mm plate thickness

Color	Item No.	Pack. Unit
black	770-601	250



Lockout cap,
for socket, separable,
12-pole

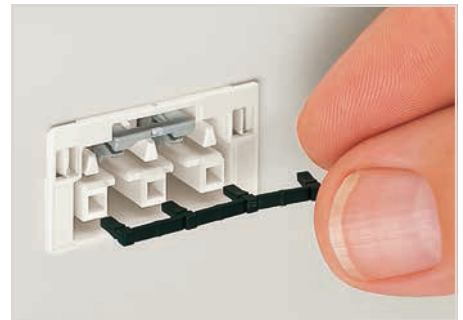
Color	Item No.	Pack. Unit
black	770-201	100
white	770-221	100



Snapping a supply or tap-off module onto a mounting plate.



Secure the mounting plate via pins.



Seal an unmated socket by simply inserting a lockout cap. This prevents the smallest particles from entering the socket.

WINSTA® IDC

Accessories

895 Series



Cable fitting,
M 40 x 1.5, clamping range: 20 ... 26 mm Ø,
with O-ring gasket, plastic

Color	Item No.	Pack. Unit
black	895-1601	5



Cable fitting,
M 25 x 1.5, clamping range: 20 ... 26 mm Ø,
with O-ring gasket, brass

Color	Item No.	Pack. Unit
	895-1604	5



Filler plug,
M 25 x 1.5,
with O-ring gasket, plastic

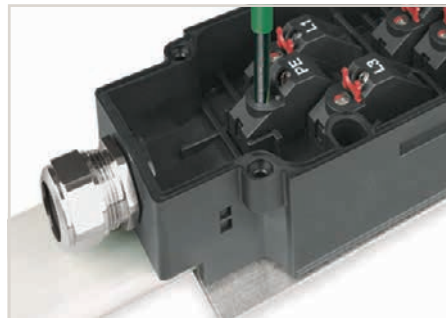
Color	Item No.	Pack. Unit
black	895-1605	5

Cable fitting,
M 25 x 1.5, clamping range: 9 ... 16 mm Ø,
with O-ring gasket, plastic

Color	Item No.	Pack. Unit
gray	895-1602	5

Cable fitting,
M 25 x 1.5, clamping range: 13 ... 18 mm Ø,
with O-ring gasket, plastic

Color	Item No.	Pack. Unit
gray	895-1603	5



Tap-off module with brass cable fitting

WINSTA® IDC

Accessories

897 Series



Mounting clamp, for screw mounting,
for 2 x 1.5 mm², 5 x 2.5 mm², 5 x 4 mm² and
5 x 2.5 mm² + 2 x 1.5 mm² flat cables

Color	Item No.	Pack. Unit
gray	897-878	100



Mounting clamp, for screw mounting,
for 3 x 2.5 mm² flat cables

Color	Item No.	Pack. Unit
dark gray	897-839	200(25)



Mounting clamp, for screw mounting,
for 5 x 10 mm² flat cables

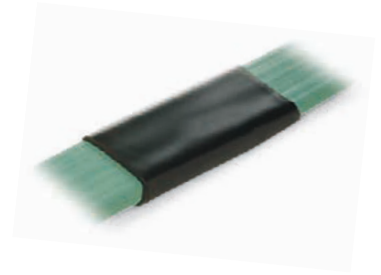
Color	Item No.	Pack. Unit
dark gray	897-859	100

WINSTA® IDC Accessories 897 Series



Flat cable end cover,
for 2 x 1.5 mm² flat cables,
plastic

Color	Item No.	Pack. Unit
transparent	897-120	10



Insulating tape,
for 2 x 1.5 mm² to 5 x 10 mm² flat cables

Color	Item No.	Pack. Unit
black	897-900	10

Flat cable end cover,
for 3 x 2.5 mm² flat cables,
plastic

Color	Item No.	Pack. Unit
transparent	897-230	10

Insulating tape,
for 5 x 16 mm² flat cables

Color	Item No.	Pack. Unit
black	897-901	10

Flat cable end cover,
for 5 x 2.5 mm² and 5 x 4 mm² flat cables,
plastic

Color	Item No.	Pack. Unit
transparent	897-250	10

Flat cable end cover,
for 5 x 2.5 mm² and 2 x 1.5 mm² flat cables,
plastic

Color	Item No.	Pack. Unit
transparent	897-260	10

Flat cable end cover,
for 5 x 10 mm² flat cables,
plastic

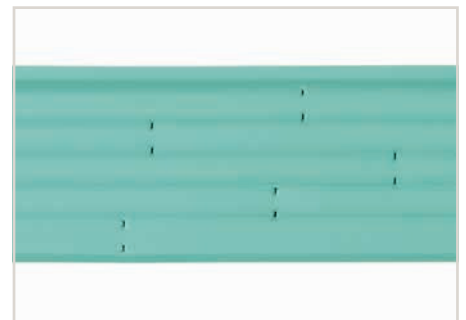
Color	Item No.	Pack. Unit
transparent	897-1050	10

Flat cable end cover,
for 5 x 16 mm² flat cables,
plastic

Color	Item No.	Pack. Unit
transparent	897-1650	4



Fit end cover to each flat cable end.



Use insulating tape to seal the contact holes in the flat cable after removing a module.

WINSTA® Operating Tools



Operating tool,
with a partially insulated shaft,
type 1, (2.5 x 0.4) mm blade

Color	Item No.	Pack. Unit
green	210-719	1

Operating tool,
with a partially insulated shaft,
type 2, (3.5 x 0.5) mm blade

Color	Item No.	Pack. Unit
green	210-720	1

Operating tool,
with a partially insulated shaft,
type 3, (5.5 x 0.8) mm blade

Color	Item No.	Pack. Unit
green	210-721	1

Operating tool set,
with a partially insulated shaft,
includes 210-719, 210-720 and 210-721

Color	Item No.	Pack. Unit
green	210-722	1

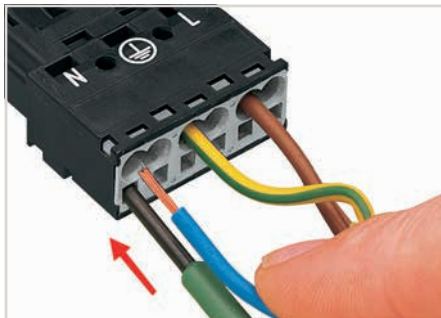


Operating tool,
with a partially insulated shaft,
(6.5 x 1.4) mm blade

Color	Item No.	Pack. Unit
green	210-636	1

Operating tool,
short version,
(6.5 x 1.4) mm

Color	Item No.	Pack. Unit
green	210-635	1



The blade dimensions of the above-listed operating tools are ideal for operating both WINSTA® Plugs and Sockets.



Operating tools are ideally suited to operate IDC modules (772 Series).

WINSTA® Operating Tools and Cable Cutter



Operating tool, partially insulated,
for WINSTA® MINI connectors,
2-pole

Color	Item No.	Pack. Unit
green	890-382	1



Operating tool, partially insulated,
for WINSTA® MIDI connectors,
2-pole

Color	Item No.	Pack. Unit
green	770-382	1



Cable cutter per VDE,
for copper and aluminum cables,
0.25 ... 35 mm²

Color	Item No.	Pack. Unit
green	206-118	1

Operating tool, partially insulated,
for WINSTA® MINI connectors,
3-pole

Color	Item No.	Pack. Unit
green	890-383	1

Operating tool, partially insulated,
for WINSTA® MIDI connectors,
3-pole

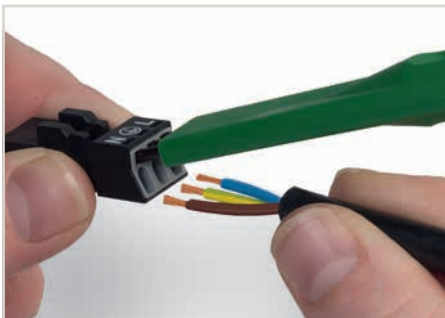
Color	Item No.	Pack. Unit
green	770-383	1

Operating tool, partially insulated,
for WINSTA® MINI connectors,
4-pole

Color	Item No.	Pack. Unit
green	890-384	1

Operating tool, partially insulated,
for WINSTA® MINI connectors,
5-pole

Color	Item No.	Pack. Unit
green	890-385	1



To terminate fine-stranded conductors, open clamping units via operating tool (890-383) and insert stripped conductors until they hit backstop.



Cutting a cable.

WINSTA® Stripping Tools



"Quickstrip 10" wire stripper,
0.02 ... 10 mm² "f-st" (6 mm² "s"),
wire cutter up to 10 mm² "f-st" (1.5 mm² "s")

Color	Item No.	Pack. Unit
black	206-124	1



"Quickstrip 16" wire stripper,
4 ... 16 mm²,
wire cutter up to 10 mm² "f-st" (1.5 mm² "s")

Color	Item No.	Pack. Unit
green	206-125	1



Stripping a conductor.



Cutting a conductor.

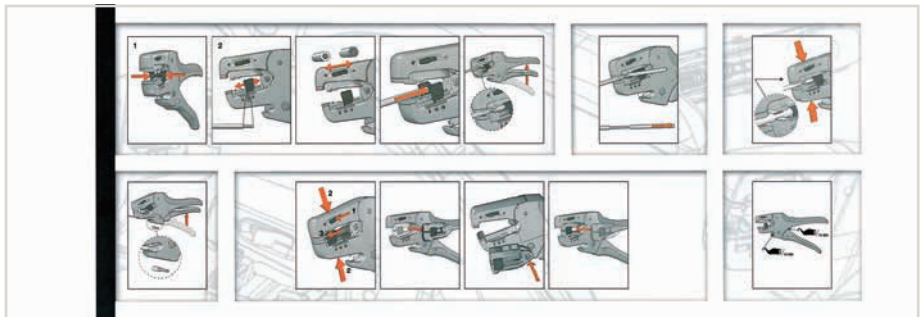
Accessories

"Standard" blade cassette,
0.02 ... 10 mm²

V-blade cassette,
0.1 ... 4 mm² for PTFE

Color	Item No.	Pack. Unit
black	206-126	1
blue	206-127	1

Color	Item No.	Pack. Unit
red	206-128	1



Operating instructions are included.

WINSTA® Stripping Pliers, Cable Cutters, Stripping Knives



Stripping pliers, with insulated handles, for 3 x 2.5 mm² flat cables

Color	Item No.	Pack. Unit
red	897-931	1

Cable cutter, with partially insulated handles, for 5 x 10 mm² and 5 x 16 mm² flat cables

Color	Item No.	Pack. Unit
red	897-970	1

Stripping knife, for (5 x 10 mm²) flat cable

Color	Item No.	Pack. Unit
light gray	897-951	1

Stripping pliers, with insulated handles, for 2 x 1.5 mm², 5 x 2.5 mm², 5 x 4 mm² and 5 x 2.5 mm² + 2 x 1.5 mm² flat cables

Color	Item No.	Pack. Unit
red	897-971	1

Cable cutter, with partially insulated handles, for 2 x 1.5 mm², 5 x 2.5 mm², 5 x 4 mm² and 5 x 2.5 mm² + 2 x 1.5 mm² flat cables

Color	Item No.	Pack. Unit
red	897-972	1

Stripping knife, for (5 x 16 mm²) flat cable

Color	Item No.	Pack. Unit
light gray	897-952	1



Cut off the flat cable insulation via cable cutter.



Cut both flat cable insulation sides via stripping knife.

WINSTA® Wiring Aid



Wiring aid,
for 5-pole connectors, distribution connectors
with phase selection and IDC supply modules,
suitable for solid and stranded conductors

Color	Item No.	Pack. Unit
orange	770-100	1



Strip outer insulation, insert cable into the wiring aid and arrange the single conductors according to the marking, starting with N.
Cut conductor ends to the proper length.



Strip conductor ends to a length of 9 mm (see marking). Slide connector to the stop over conductor ends.

WINSTA® Markers and Marking Strips



Marker,
for manual marking

Color	Item No.	Pack. Unit
white	770-450	50
green	770-450/000-001	50
yellow	770-450/000-002	50
red	770-450/000-005	50
blue	770-450/000-006	50
orange	770-450/000-012	50

Self-adhesive marking strips,
on DIN A4 cards,
182 mm long, 6 mm (40 x) high,
for 770 Series

Color	Item No.	Pack. Unit
white	210-333	1

Self-adhesive marking strips,
on DIN A4 cards,
182 mm long, 5 mm (48 x) high,
for 771 Series

Color	Item No.	Pack. Unit
white	210-334	1



Distribution connector with marked cables



Marking area:
Strain relief, 3-pole, 28 x 6.5 mm
Strain relief, 4-pole, 38 x 6.5 mm
Strain relief, 5-pole, 48 x 6.5 mm
Strain relief, 6-pole, 62 x 6.5 mm



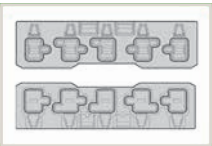

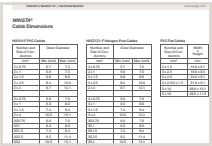



Marking area:
Strain relief, 3-pole, 22 x 5.2 mm
Strain relief, 4-pole, 32 x 5.2 mm
Strain relief, 5-pole, 42 x 5.2 mm



Technical Section

WINSTA®






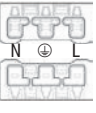
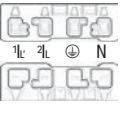
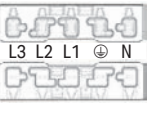


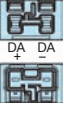
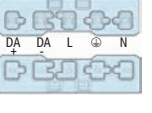


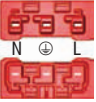





Technical Section

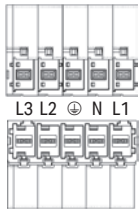
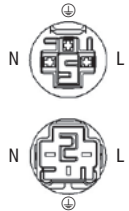
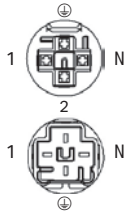
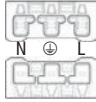
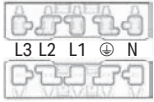
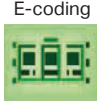



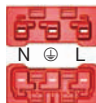
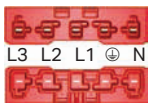
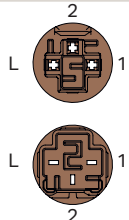
	Page	
	Coding Overview Pole Markings	360 363
	Your Questions – Our Answers	364
	Cable Dimensions	366
	International Certification Organizations	368
	Electrical Engineering Laboratory	370
	Seminars	372

WINSTA®



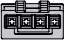































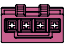













Coding Configurations

770, 771, 772, 831, 890, 891, 893 and 894 Series

Description	WINSTA® MINI				WINSTA® MIDI			
	2-pole	3-pole	4-pole	5-pole	2-pole	3-pole	4-pole	5-pole
Series	890/891	890/891	890/891	890/891	770/771	770/771	770/771	770/771
A-coding black white e.g., general applications	 N L	 N ⊕ L	 1L 2L ⊕ N	 3 2 1 ⊕ N	 N L	 N ⊕ L	 1L 2L ⊕ N	 L3 L2 L1 ⊕ N
E-coding green KNX applications								
F-coding light gray specialty coding								
I-coding blue dimming	 - +			 + - L ⊕ N	 DA DA			 DA DA L ⊕ N
L-coding dark gray e.g., emergency power supply					 N' L'			 L' N' L ⊕ N
P-coding red e.g., computer applications (UPS)						 N ⊕ L		 L3 L2 L1 ⊕ N
Q-coding green "Clean Earth" applications							 L PE2 PE1 N	 L PE3 PE2 PE1 N
R-coding orange e.g., LON® Bus						 S LON LON		
S-coding brown e.g., switching applications						 L 2 1		

Description	WINSTA® MAXI	WINSTA® RD		WINSTA® KNX		WINSTA® IDC	
	5-pole	3-pole	4-pole	2-pole	2-pole	3-pole	5-pole
Series	831	774	774	893/894	893/894	772	772
A-coding black white e.g., general applications							
E-coding green KNX applications							
F-coding light gray specialty coding							
I-coding blue dimming							
L-coding dark gray e.g., emergency power supply							
P-coding red e.g., computer applications (UPS)							
Q-coding green "Clean Earth" applications							
R-coding orange e.g., LON® Bus							
S-coding brown e.g., switching applications							

WINSTA® MINI special and MIDI special B-Coding

Description	WINSTA® MINI special				WINSTA® MIDI special / WINSTA® IDC			
	2-pole	3-pole	4-pole	5-pole	2-pole	3-pole	4-pole	5-pole
Series	890/891	890/891	890/891	890/891	770/771	770/771/772	770/771	770/771/772
B-coding gray								
Control and general applications (110 ... 400 V mains applications)	2 1 	3 2 1 	4 3 2 1 	5 4 3 2 1 	2 1 	3 2 1 	4 3 2 1 	5 4 3 2 1 
B-coding light green								
Control and general applications (0 ... 48 V low voltages)	2 1 	3 2 1 	4 3 2 1 	5 4 3 2 1 	2 1 	3 2 1 	4 3 2 1 	5 4 3 2 1 
B-coding pink								
Control and general applications (bus applications)	2 1 	3 2 1 	4 3 2 1 	5 4 3 2 1 	2 1 	3 2 1 	4 3 2 1 	5 4 3 2 1 

Important note:

B-Coded components within the WINSTA® MINI special and WINSTA® MIDI special families are designed for specialty applications (e.g., measurement, control and regulation technology) and certified per DIN EN 61984. In addition to the gray models rated from 110 to 400 V, there is now also a variant in light green for low voltages up to 48 V, as well as a pink one for bus applications.

Each of the three versions is available in 2-, 3- or 4- and 5-pole configurations. Pole marking can be printed at the factory to suit customer requirements. According to IEC 61535, B-coded products are protected against mismatching with all other coding types found in the WINSTA® system. Within B-coding, all special variants can mate with each other. The variable coding system provides clear circuit identification. Special variants can be clearly differentiated according to color and pole marking. They can be coded on-site or delivered with factory-installed custom coding.

WINSTA® MINI special and MIDI special Pole Markings

Suffix Number	Marking				Application
	2-pole	3-pole	4-pole	5-pole	
without	1 2	1 2 3	1 2 3 4	1 2 3 4 5	General
/060-000	L N	L ⊕ N	N ⊕ ² IL ¹ IL'	N ⊕ L1 L2 L3	Standard 230V/400V network applications
/062-000		2 PE 1	3 PE 2 1	N PE 3 2 1	Fan Step switching
/064-000			2L ⊕ 1L L	N ⊕ L 2L 1L	230 V + switched
without	1 2	1 2 3	1 2 3 4	1 2 3 4 5	General
/071-000		U+ X/Y U-	U- S U+ X/Y		AI / AO 0 ... 10 V
/072-000			U- U+ DI AI		Presence detector incl. light sensor
/073-000		1 ⊕ 2	1 ⊕ 2 3	1 ⊕ 2 3 4	Control signal incl. ground
without	1 2	1 2 3	1 2 3 4	1 2 3 4 5	General
/080-000	I+ I-			N ⊕ L I- I+	SMI bus
/081-000		1 2 5	1 2 5 3		MP-Bus
/082-000	+ -	+ S -		N ⊕ L - +	Standard fieldbus applications

Distribution connectors and cable assemblies with above-mentioned pole markings are available upon request.

Item number example:

WINSTA® MIDI special, plug, 4-pole, light green, with U- U+ DI AI pole marking 770-274/072-000

WINSTA®

Your Questions – Our Answers

Question 1:

Can WINSTA® be used in low-voltage range applications?

Compliance of WINSTA® products with the low-voltage directive is verified by CE approval.

Question 2:

Can I wire the entire electrical installation of an operational building using WINSTA®?

The WINSTA® system allows the entire electrical installation to be wired on both sides of the floor distribution boards.

Question 3:

What needs to be considered for the changeover from NYM cables for permanent installation to pluggable installation using fine-stranded wires?

The changeover area must be secured properly in order to protect the NYM cable from excessive bending stress. In addition, all terminals must be protected against shear and tensile stress.

Question 4:

What needs to be considered when there is a concentration of WINSTA® cables, e.g., in a cable duct?

As a result of heat build-up, it might be necessary to reduce the current carrying capacity or to increase the cross-section from e.g., 2.5 mm² to 4 mm² (14 to 12 AWG).

Question 5:

Where may I use WINSTA® for installation?

Anywhere there is enough space for connectors and cables, e.g., in cable ducts, false floors or plasterboard walls and suspended ceilings. The provisions outlined in VDE 0100 must always be observed.

Question 6:

What needs to be considered if there is a cross-section reduction?

The minimum conductor cross-section must be adapted to the connected load. More protection measures are only required if the cable with the reduced cross-section to the connected load is longer than 3 m (see VDE 0100, Nov. 1991, Part 430).

Question 7:

Are there distribution boxes with WINSTA® components available?

Yes. WAGO offers a variety of distribution boxes with different functions (e.g., DALI-Bus, KNX applications, sun blind control) ready for connection with WINSTA® Pluggable Connectors.

Question 8:

May I split a three-phase circuit using WINSTA®?

It must be ensured that all three phases can be simultaneously switched off (e.g., via 3-pole safety cutout or circuit breaker). WINSTA® offers several convenient solutions, such as three-phase to single-phase distribution connectors, distribution connectors with phase selection, intermediate couplers from 5 poles to 3 poles and customized distribution boxes.

Question 9:

What safety features does *WINSTA*® provide when designing different circuits, such as GPS (general power supply), SPS (secure power supply) or UPS (uninterruptible power supply)?

Coding **A** (black/white), **E** (green), **F** (light gray), **I** (blue), **L** (dark gray), **P** (red), **Q** (green), **R** (orange) and **S** (brown) are foolproof safety measures that prevent mistaken plugging.

Question 10:

Are there custom marking options for *WINSTA*® components?

Of course, flexible marking is part of a flexible connector system. This is why *WINSTA*® also offers custom solutions.

Question 11:

Can I also integrate two relays in a *WINSTA*® Distribution Box in order to control blind motors?

Yes. It is even possible to integrate up to three 6 mm wide relays into a *WINSTA*® Distribution Box.

Question 12:

Is the *WINSTA*® system protected against accidental contact?

All *WINSTA*® system components are protected against accidental contact, maximizing safety.

Question 13:

Can two electrical circuits (even those with different voltages) be routed in one connector/cable?

According to VDE 0100 Part 520, this is acceptable when the connector, or all of the wire insulation present in the cable line is rated for the maximum voltage applied.

Question 14:

What needs to be considered for installations in rooms requiring increased fire protection?

In accordance with VDE 0100 Part 482.1.11, H07RN-F cables must be used on account of their greater mechanical strength **1**.

Question 15:

Is *WINSTA*® intended for applications in open or easily accessible areas?

Specialty products are available for such applications (see page 148).

1 *WINSTA*® Cables Assemblies with H07RN-F cables are available upon request.

WINSTA® Cable Dimensions

H05VV-F PVC Cables

Number and Size of Conductors	Outer Diameter	
	mm ²	Min. (mm)
2 x 0.75	5.7	7.2
2 x 1	5.9	7.5
2 x 1.5	6.8	8.6
2 x 2.5	8.4	10.6
2 x 4	9.7	12.1
3 x 0.75	6.0	7.6
3 x 1	6.3	8.0
3 x 1.5	7.4	9.4
3 x 4	10.5	13.1
3G0.75	6.0	7.6
3G1	6.3	8.0
3G1.5	7.4	9.4
3G2.5	9.2	11.4
3G4	10.5	13.1
4 x 1	7.1	9.0
4 x 1.5	8.4	10.5
4G0.75	6.6	8.3
4G1	7.1	9.0
4G1.5	8.4	10.5
4G2.5	10.1	12.5
4G4	11.5	14.3
5G0.75	7.4	9.3
5G1	7.8	9.3
5G1.5	9.3	11.6
5G2.5	11.2	13.9

H05Z1Z1-F Halogen-Free Cables

Number and Size of Conductors	Outer Diameter	
	mm ²	Min. (mm)
2 x 0.75	5.7	7.2
2 x 1	5.9	7.5
2 x 1.5	6.8	8.6
2 x 2.5	8.4	10.6
2 x 4	9.7	12.1
3 x 0.75	6.0	7.6
3 x 1	6.3	8.0
3 x 1.5	7.4	9.4
3 x 4	10.5	13.1
3G0.75	6.0	7.6
3G1	6.3	8.0
3G1.5	7.4	9.4
3G2.5	9.2	11.4
3G4	10.5	13.1
4 x 1	7.1	9.0
4 x 1.5	8.4	10.5
4G1	7.1	9.0
4G1.5	8.4	10.5
4G2.5	10.1	12.5
5G1	7.8	9.3
5G1.5	9.3	11.6
5G2.5	11.2	13.9
5G4	13.0	16.1















PVC Flat Cables

Number and Size of Conductors	Width x Height
mm ²	mm
2 x 1.5	10.9 x 6.1
3 x 2.5	16.9 x 6.5
5 x 2.5	24.0 x 6.1
5 x 2.5/2 x 1.5	31.9 x 6.1
5 x 10	38.6 x 10.1
5 x 16	48.5 x 11.3









Halogen-Free Flat Cables

Number and Size of Conductors	Width x Height
mm ²	mm
2 x 1.5	10.9 x 6.1
3 x 2.5	16.4 x 6.3
5 x 2.5	24.1 x 6.1
5 x 4	24.1 x 6.1
5 x 2.5/2 x 1.5	31.9 x 6.1
5 x 10	38.6 x 10.1
5 x 16	48.5 x 11.3

International Certification Organizations – Overview

		Abbreviation			Abbreviation
	Underwriters Laboratories USA http://www.ul.com	UL		Danmarks Elektriske Materielkontrol Denmark http://www.demko.dk	DEMKO
	Underwriters Laboratories USA http://www.ul.com	UL		CENELEC CERTIFICATION AGREEMENT Danmarks Elektriske Materielkontrol Denmark http://www.cenelec.org	CCA Appr. No. with NL
Y	Underwriters Laboratories USA http://www.ul.com	cURus			
	Underwriters Laboratories USA http://www.ul.com	cULus		SETI – FEMKO Sähkötarkastuskeskus Elin-spektionscentralen Finland http://www.seti.fi	
	Canadian Standards Association Canada http://www.csa.ca	CSA		Sähkötarkastuskeskus Elin-spektionscentralen Finland http://www.fimko.com	FIMKO
	VDE-Gutachten mit Fertigungsüberwachung Germany http://www.vde.de/vde/html/e/home.htm	VDE	SABS	South African Bureau of Standards South Africa http://www.sabs.co.za	SABS
	VDE – Deutscher Verband für Elektrotechnik Germany http://www.vde.de			RosTesT Russia http://www.rostest.ru	ROTEST
VDE	VDE – Prüfbericht Germany			Departamentul Moldovastandard Moldova http://www.moldova.md/ro/government/oil/D_STAND/en/strcent2.htm	CSM
	Österreichischer Verband für Elektrotechnik Austria http://www.ove.at	ÖVE		Certificate of Registration Great Britain http://www.astacertification.com	ASTA
	Schweizerischer Elektrotechnischer Verein Switzerland http://www.sev.ch/	SEV		Rheinisch-Westfälischer Technischer Überwachungsverein e.V. Germany http://www.rwtuv.de	RWTÜv
	N.V. tot Keuring van Elektrotechnische Materialen Netherlands http://www.kema.nl	KEMA		Elektrotechnický ústav Czech Republic http://www.ezu.cz	EZU
CCA	CENELEC CERTIFICATION AGREEMENT N.V. tot Keuring van Elektrotechnische Materialen Netherlands http://www.cenelec.org	CCA Appr. No. with NL		Stowarzyszenie Elektryków Polskich Poland http://www.sep.com.pl	BBJ
	Norges Elektriske Materialkontroll Norway http://express.nemko.com	NEMKO		Stowarzyszenie Elektryków Polskich Poland http://www.bbj.pl	SEP
	Svenska Elektriska Materielkontrollanstalten AB Sweden http://www.semko.com	SEMKO			

For complete, up-to-date approval information, visit www.wago.com.

	Abbreviation		Abbreviation
CNET Centre National d'Etudes des Télécommunications France http://www.lannion.cnet.fr	CNET	 Robbanásbiztos Villamos Berendezések Hungary http://www.bki.hu	BKI
LCIE Laboratoire Central des Industries Electriques France http://www.lcie.fr	LCIE	CB CB – TEST CERTIFICATE India http://www.ul-europe.com	CB
 Fyzikálne Technický Zkusební Ústav, Ostrava-Radvanice Czech Republic http://www.ftzu.cz	FTZU	CB CB – TEST CERTIFICATE China http://www.ul-europe.com	CB
		 UL-International Demko A/S Denmark http://www.ul-europe.com	ENEC
Marine Approvals		Ex Approvals	
Germanischer Lloyd Germany http://www.gl-group.com	GL	 Physikalisch Technische Bundesanstalt Germany Ex e II http://www.ptb.de	PTB
Bureau Veritas France http://www.bureauveritas.fr	BV		
Lloyd's Register of Shipping Great Britain http://www.lloydsregister.com	LR	 Underwriters Laboratories USA http://www.ul.com	cURus-EX
NV – Det Norske Veritas Norway http://www.dnv.com	DNV	 N.V. tot Keuring van Elektrotechnische Materialen Netherlands http://www.kemaquality.com	KEMA-EX
Russian Maritime Register of Shipping GUS http://www.rs-head.spb.ru	RMR	GOSENERGO-Ex GOSENERGONADZOR Russia	GOSENERGO-EX
Polski Rejestr Statków Poland http://www.prs.pl	PRS	 Fyzikálne Technický Zkusební Ústav, Ostrava-Radvanice Czech Republic http://www.ftzu.cz	FTZU
Korean Register of Shipping Korea http://www.krs.co.kr	KR	 Robbanásbiztos Villamos Berendezések Hungary http://www.bki.hu	BKI-Ex
American Bureau of Shipping USA http://www.eagle.org	ABS		

Electrical Engineering Laboratory Product Safety for Our Customers

WAGO's Minden, Germany laboratory is an "accredited test lab for electrical and mechanical tests on terminal blocks and connectors, as well as for environment simulations."

Accreditation, as ISO/IEC 17011:2004 defines, is a third-party attestation related to a conformity assessment body conveying formal demonstration of its competence to carry out specific conformity assessment tasks.

Accreditation, according to DIN EN ISO/IEC 17025, is granted by the Deutsche Akkreditierungsstelle GmbH DAkkS (German Accreditation Office GmbH DAkkS). This national accreditation office, which was established by the German Federal Ministry for Economics and Technology (BMWi), certifies that our test laboratory is officially recognized as possessing the necessary expertise to conduct defined tests and types of tests independently and objectively.

Through obtaining the accreditation, the following objectives were achieved:

- Exceeding customer requirements
- Workflow optimization
- Clearly defined processes
- Clear organization and structure
- Greater transparency
- Consistent, high-quality laboratory testing
- Maximum traceability
- Traceable measurement results
- Sustainable quality awareness

Visitor center



High-voltage test



**Conductor retention
force testing**

Vibration- and shock-resistance testing





Deutsche Akkreditierungsstelle GmbH

Beliehene gemäß § 8 Absatz 1 AkkStelleG i.V.m. § 1 Absatz 1 AkkStelleGBV
 Unterzeichnerin der Multilateralen Abkommen
 von EA, ILAC und IAF zur gegenseitigen Anerkennung

Akkreditierung



Die Deutsche Akkreditierungsstelle GmbH bestätigt hiermit, dass das Prüflaboratorium

WAGO Kontakttechnik GmbH & Co. KG
Hansastraße 27, 32423 Minden

die Kompetenz nach DIN EN ISO/IEC 17025:2005 besitzt, Prüfungen in folgenden Bereichen durchzuführen:

**Elektrische und mechanische Prüfungen an Klemmen und Steckverbinder
 sowie Umweltsimulation**

Die Akkreditierungsurkunde gilt nur in Verbindung mit dem Bescheid vom 18.12.2014 mit der Akkreditierungsnummer D-PL-19704-01 und ist gültig bis 17.12.2019. Sie besteht aus diesem Deckblatt, der Rückseite des Deckblatts und der folgenden Anlage mit insgesamt 5 Seiten.

Registrierungsnummer der Urkunde: **D-PL-19704-01-00**

Frankfurt am Main, 18.12.2014

Im Auftrag Dipl.-Ing. (FH) Ralf Egner
 Abteilungsleiter

Siehe Hinweise auf der Rückseite