


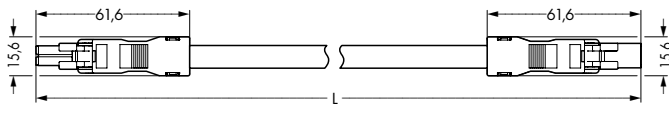

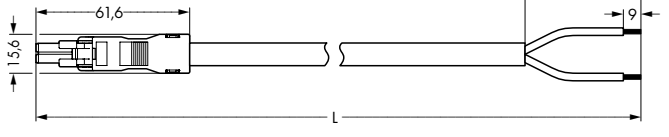

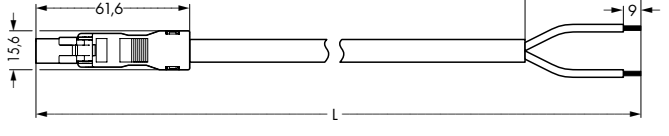


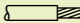
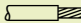


	<p>PVC H05VV-F 2x1 halogen-free H05Z1Z1-F 2x1</p> <p>250 V/4 kV/3 I_N 10 A</p> <p>Conductor ends, bonded: 9 mm</p> <p>① Approvals</p>																																			
Interconnecting cable, socket – plug	<table border="1"> <thead> <tr> <th>Length</th> <th>Item No. black</th> <th>Item No. white</th> <th>Item No. black</th> <th>Item No. white</th> </tr> </thead> <tbody> <tr> <td colspan="5"> <p>● Coding I, e.g., for dimming function (DALI)</p> <p>PVC halogen-free</p> </td> </tr> <tr> <td>1 m</td> <td>891-8982/005-101</td> <td>.../005-102</td> <td>891-8982/015-101</td> <td>.../015-102</td> </tr> <tr> <td>2 m</td> <td>891-8982/005-201</td> <td>.../005-202</td> <td>891-8982/015-201</td> <td>.../015-202</td> </tr> <tr> <td>3 m</td> <td>891-8982/005-301</td> <td>.../005-302</td> <td>891-8982/015-301</td> <td>.../015-302</td> </tr> <tr> <td>5 m</td> <td>891-8982/005-501</td> <td>.../005-502</td> <td>891-8982/015-501</td> <td>.../015-502</td> </tr> <tr> <td>7 m</td> <td>891-8982/005-701</td> <td>.../005-702</td> <td>891-8982/015-701</td> <td>.../015-702</td> </tr> </tbody> </table>	Length	Item No. black	Item No. white	Item No. black	Item No. white	<p>● Coding I, e.g., for dimming function (DALI)</p> <p>PVC halogen-free</p>					1 m	891-8982/005-101	.../005-102	891-8982/015-101	.../015-102	2 m	891-8982/005-201	.../005-202	891-8982/015-201	.../015-202	3 m	891-8982/005-301	.../005-302	891-8982/015-301	.../015-302	5 m	891-8982/005-501	.../005-502	891-8982/015-501	.../015-502	7 m	891-8982/005-701	.../005-702	891-8982/015-701	.../015-702
Length	Item No. black	Item No. white	Item No. black	Item No. white																																
<p>● Coding I, e.g., for dimming function (DALI)</p> <p>PVC halogen-free</p>																																				
1 m	891-8982/005-101	.../005-102	891-8982/015-101	.../015-102																																
2 m	891-8982/005-201	.../005-202	891-8982/015-201	.../015-202																																
3 m	891-8982/005-301	.../005-302	891-8982/015-301	.../015-302																																
5 m	891-8982/005-501	.../005-502	891-8982/015-501	.../015-502																																
7 m	891-8982/005-701	.../005-702	891-8982/015-701	.../015-702																																
Connecting cable, socket – free end	<table border="1"> <thead> <tr> <th>Length</th> <th>Item No. black</th> <th>Item No. white</th> <th>Item No. black</th> <th>Item No. white</th> </tr> </thead> <tbody> <tr> <td colspan="5"> <p>● Coding I, e.g., for dimming function (DALI)</p> <p>PVC halogen-free</p> </td> </tr> <tr> <td>1 m</td> <td>891-8982/105-101</td> <td>.../105-102</td> <td>891-8982/115-101</td> <td>.../115-102</td> </tr> <tr> <td>2 m</td> <td>891-8982/105-201</td> <td>.../105-202</td> <td>891-8982/115-201</td> <td>.../115-202</td> </tr> <tr> <td>3 m</td> <td>891-8982/105-301</td> <td>.../105-302</td> <td>891-8982/115-301</td> <td>.../115-302</td> </tr> <tr> <td>5 m</td> <td>891-8982/105-501</td> <td>.../105-502</td> <td>891-8982/115-501</td> <td>.../115-502</td> </tr> <tr> <td>7 m</td> <td>891-8982/105-701</td> <td>.../105-702</td> <td>891-8982/115-701</td> <td>.../115-702</td> </tr> </tbody> </table>	Length	Item No. black	Item No. white	Item No. black	Item No. white	<p>● Coding I, e.g., for dimming function (DALI)</p> <p>PVC halogen-free</p>					1 m	891-8982/105-101	.../105-102	891-8982/115-101	.../115-102	2 m	891-8982/105-201	.../105-202	891-8982/115-201	.../115-202	3 m	891-8982/105-301	.../105-302	891-8982/115-301	.../115-302	5 m	891-8982/105-501	.../105-502	891-8982/115-501	.../115-502	7 m	891-8982/105-701	.../105-702	891-8982/115-701	.../115-702
Length	Item No. black	Item No. white	Item No. black	Item No. white																																
<p>● Coding I, e.g., for dimming function (DALI)</p> <p>PVC halogen-free</p>																																				
1 m	891-8982/105-101	.../105-102	891-8982/115-101	.../115-102																																
2 m	891-8982/105-201	.../105-202	891-8982/115-201	.../115-202																																
3 m	891-8982/105-301	.../105-302	891-8982/115-301	.../115-302																																
5 m	891-8982/105-501	.../105-502	891-8982/115-501	.../115-502																																
7 m	891-8982/105-701	.../105-702	891-8982/115-701	.../115-702																																
Connecting cable, plug – free end	<table border="1"> <thead> <tr> <th>Length</th> <th>Item No. black</th> <th>Item No. white</th> <th>Item No. black</th> <th>Item No. white</th> </tr> </thead> <tbody> <tr> <td colspan="5"> <p>● Coding I, e.g., for dimming function (DALI)</p> <p>PVC halogen-free</p> </td> </tr> <tr> <td>1 m</td> <td>891-8982/205-101</td> <td>.../205-102</td> <td>891-8982/215-101</td> <td>.../215-102</td> </tr> <tr> <td>2 m</td> <td>891-8982/205-201</td> <td>.../205-202</td> <td>891-8982/215-201</td> <td>.../215-202</td> </tr> <tr> <td>3 m</td> <td>891-8982/205-301</td> <td>.../205-302</td> <td>891-8982/215-301</td> <td>.../215-302</td> </tr> <tr> <td>5 m</td> <td>891-8982/205-501</td> <td>.../205-502</td> <td>891-8982/215-501</td> <td>.../215-502</td> </tr> <tr> <td>7 m</td> <td>891-8982/205-701</td> <td>.../205-702</td> <td>891-8982/215-701</td> <td>.../215-702</td> </tr> </tbody> </table>	Length	Item No. black	Item No. white	Item No. black	Item No. white	<p>● Coding I, e.g., for dimming function (DALI)</p> <p>PVC halogen-free</p>					1 m	891-8982/205-101	.../205-102	891-8982/215-101	.../215-102	2 m	891-8982/205-201	.../205-202	891-8982/215-201	.../215-202	3 m	891-8982/205-301	.../205-302	891-8982/215-301	.../215-302	5 m	891-8982/205-501	.../205-502	891-8982/215-501	.../215-502	7 m	891-8982/205-701	.../205-702	891-8982/215-701	.../215-702
Length	Item No. black	Item No. white	Item No. black	Item No. white																																
<p>● Coding I, e.g., for dimming function (DALI)</p> <p>PVC halogen-free</p>																																				
1 m	891-8982/205-101	.../205-102	891-8982/215-101	.../215-102																																
2 m	891-8982/205-201	.../205-202	891-8982/215-201	.../215-202																																
3 m	891-8982/205-301	.../205-302	891-8982/215-301	.../215-302																																
5 m	891-8982/205-501	.../205-502	891-8982/215-501	.../215-502																																
7 m	891-8982/205-701	.../205-702	891-8982/215-701	.../215-702																																
	<p>Accessories</p> <p>Locking lever, for "flying leads,"</p> <p> tool operated</p> <table border="1"> <tr> <td>black</td> <td>890-111</td> <td>100 (2x50)</td> </tr> <tr> <td>white</td> <td>890-131</td> <td>100 (2x50)</td> </tr> </table> <p>Mounting carrier, for 2- to 5-pole "flying leads"</p> <p></p> <table border="1"> <tr> <td>black</td> <td>890-310</td> <td>100</td> </tr> <tr> <td>white</td> <td>890-311</td> <td>100</td> </tr> </table>	black	890-111	100 (2x50)	white	890-131	100 (2x50)	black	890-310	100	white	890-311	100																							
black	890-111	100 (2x50)																																		
white	890-131	100 (2x50)																																		
black	890-310	100																																		
white	890-311	100																																		

		<p>PVC H05VV-F 2x1.5 halogen-free H05Z1Z1-F 2x1.5</p> <p>250 V/4 kV/3 I_N 16 A</p> <p>Conductor ends, bonded: 9 mm</p> <p>① Approvals</p>				
Interconnecting cable, socket – plug		Length	Item No. black	Item No. white	Item No. black	Item No. white
 		<p>● Coding I, e.g., for dimming function (DALI)</p> <p>PVC halogen-free</p>				
		1 m	891-8982/006-101	.../006-102	891-8982/016-101	.../016-102
		2 m	891-8982/006-201	.../006-202	891-8982/016-201	.../016-202
		3 m	891-8982/006-301	.../006-302	891-8982/016-301	.../016-302
		5 m	891-8982/006-501	.../006-502	891-8982/016-501	.../016-502
		7 m	891-8982/006-701	.../006-702	891-8982/016-701	.../016-702
Connecting cable, socket – free end		Length	Item No. black	Item No. white	Item No. black	Item No. white
 		<p>● Coding I, e.g., for dimming function (DALI)</p> <p>PVC halogen-free</p>				
		1 m	891-8982/106-101	.../106-102	891-8982/116-101	.../116-102
		2 m	891-8982/106-201	.../106-202	891-8982/116-201	.../116-202
		3 m	891-8982/106-301	.../106-302	891-8982/116-301	.../116-302
		5 m	891-8982/106-501	.../106-502	891-8982/116-501	.../116-502
		7 m	891-8982/106-701	.../106-702	891-8982/116-701	.../116-702
Connecting cable, plug – free end		Length	Item No. black	Item No. white	Item No. black	Item No. white
 		<p>● Coding I, e.g., for dimming function (DALI)</p> <p>PVC halogen-free</p>				
		1 m	891-8982/206-101	.../206-102	891-8982/216-101	.../216-102
		2 m	891-8982/206-201	.../206-202	891-8982/216-201	.../216-202
		3 m	891-8982/206-301	.../206-302	891-8982/216-301	.../216-302
		5 m	891-8982/206-501	.../206-502	891-8982/216-501	.../216-502
		7 m	891-8982/206-701	.../206-702	891-8982/216-701	.../216-702
		Accessories				
		Locking lever, for "flying leads,"				
				tool operated black 890-111 100 (2x50) white 890-131 100 (2x50)		
		Mounting carrier, for 2- to 5-pole "flying leads"				
				black 890-310 100 white 890-311 100		

Sockets and Plugs, 5-Pole

<p>0.25 – 1.5 mm² ① 400 V/6 kV/3 I_N 13 A</p> <p> 9 mm / 0.35 in</p> <p>② Approvals</p>	<p>AWG 22 – 16</p>	<p>0.25 – 1.5 mm² ① 400 V/6 kV/3 I_N 13 A</p> <p> 9 mm / 0.35 in</p> <p>② Approvals</p>	<p>AWG 22 – 16</p>
---	--------------------	---	--------------------

Note:

All connectors for fixed installations (snap-in versions for lighting fixtures, devices or all types of PCBs and distribution cabinets) are factory-equipped with locking levers to ensure plugs and sockets are securely locked. Additional locking levers are only required for “flying leads” (plug/socket).

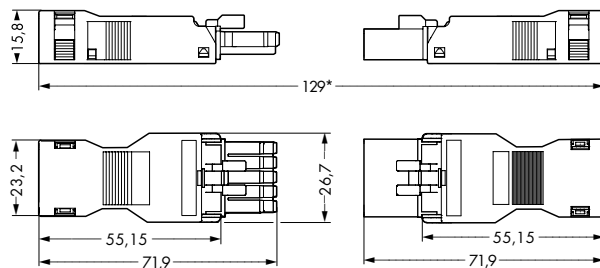


Description	Color	Item No.	Pack. Unit	Color	Item No.	Pack. Unit
Pluggable connectors, 5-pole, with CAGE CLAMP®S connection	Socket with strain relief housing, for 6.5 – 10.5 mm cable diameter			Plug with strain relief housing, for 6.5 – 10.5 mm cable diameter		
	● black	890-105	50	● black	890-115	50
	○ white	890-125	50	○ white	890-135	50
Accessories, 890 Series						
	Locking lever, for “flying leads,” tool operated			Locking lever, for “flying leads,” tool operated		
		● black	890-111 100 (2x50)		● black	890-111 100 (2x50)
		○ white	890-131 100 (2x50)		○ white	890-131 100 (2x50)
	Mounting carrier, for 2- to 5-pole “flying leads”			Mounting carrier, for 2- to 5-pole “flying leads”		
		● black	890-310 100		● black	890-310 100
		○ white	890-311 100		○ white	890-311 100
Info	Dimensions					

- ① Conductor sizes: 0.25 – 1.5 mm² “s + f-st”
0.25 – 1 mm² “stranded”
- ② For “International Certification Organizations” and “Approvals – User Guide,” see pages 240 to 243.
- ③ Blue plugs and sockets are suitable for 16A DALI applications.

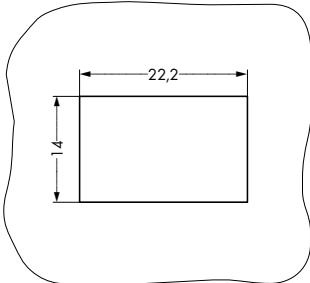
- black Coding A (N ⊕ 1 2 3)
- white Coding A (N ⊕ 1 2 3)
- blue Coding I (N ⊕ L – +)

For coding information, see pages 224 to 226.
Fire load data available upon request.



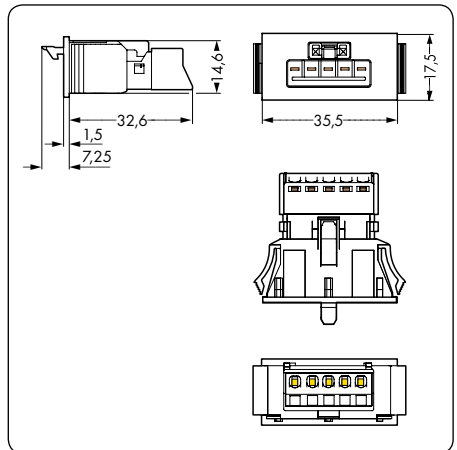
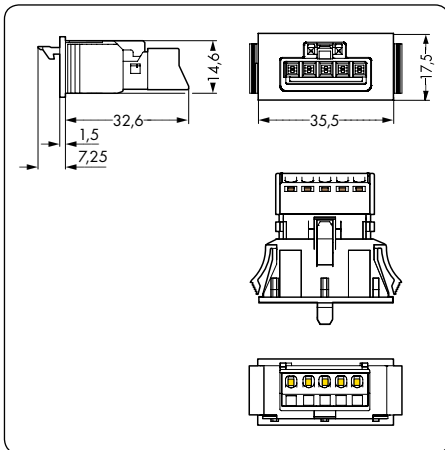
* Overall length when mated

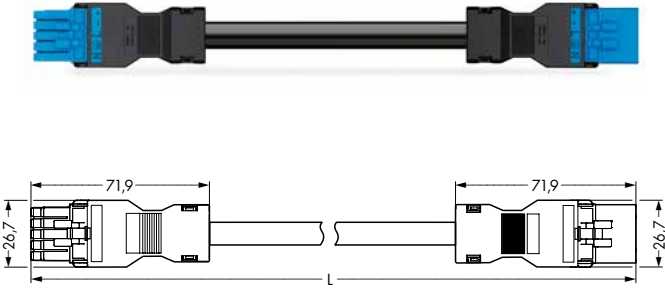
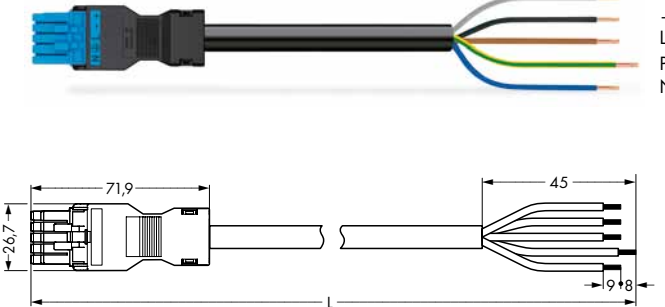
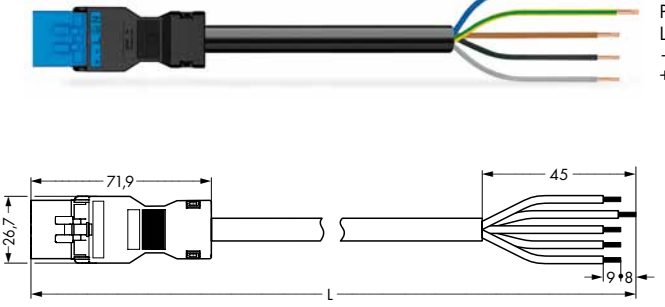


Cutout dimensions Plate thickness: 0.5 – 2 mm Cutout tolerance: + 0.1 mm	0.25 – 1.5 mm ² ① AWG 22 – 16 400 V/6 kV/3 I _N 13 A / 16 A ③	0.25 – 1.5 mm ² ① AWG 22 – 16 400 V/6 kV/3 I _N 13 A / 16 A ③
	9 mm / 0.35 in ② Approvals	9 mm / 0.35 in ② Approvals


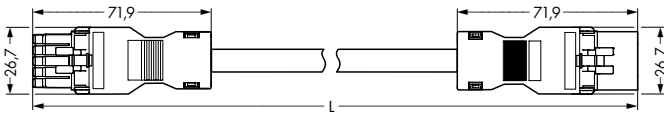

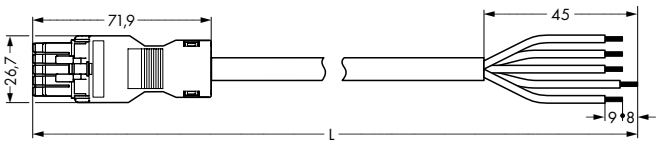

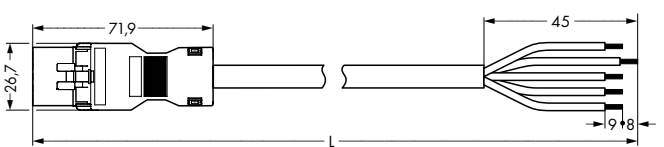




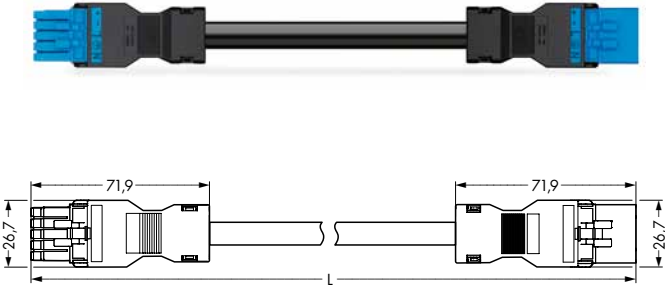
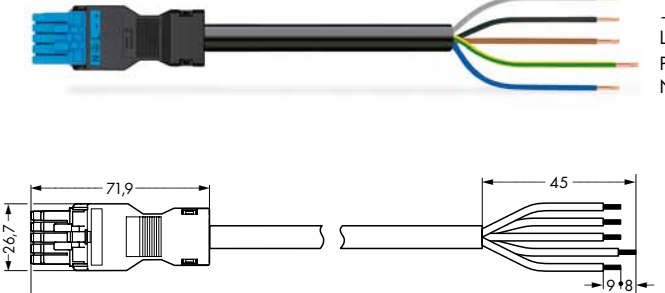
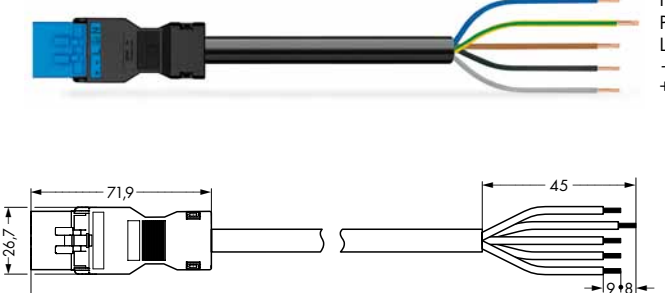


Description	Color	Item No.	Pack. Unit	Color	Item No.	Pack. Unit
Pluggable connectors, snap-in device connection, 5-pole, with CAGE CLAMP® S connection	Socket			Plug		
	● black	890-705	50	● black	890-715	50
	○ white	890-725	50	○ white	890-735	50
	● blue	890-2105 ④	50	● blue	890-2115 ③	50
	without locking lever, for lighting installation with intermediate coupler			without locking lever, for lighting installation with intermediate coupler		
	● black	890-705/006-000	50	● black	890-715/006-000	50
	○ white	890-725/006-000	50	○ white	890-735/006-000	50
	● blue	890-2105/006-000 ④	50	● blue	890-2115/006-000 ③	50
Accessories, 890 Series						
	Lockout cap, for cutout, 5-pole			Lockout cap, for cutout, 5-pole		
		black 770-643	100		black 770-643	100
		white 770-693	100		white 770-693	100
Info	Dimensions					

- ① Conductor sizes: 0.25 – 1.5 mm² "s + f-st"
0.25 – 1 mm² "stranded"
 - ② For "International Certification Organizations" and "Approvals - User Guide," see pages 240 to 243.
 - ③ Blue plugs and sockets are suitable for 16A DALI applications.
 - ④ 5.0 mm Ø, 0.2 – 1.2 mm plate thickness
- For other cables, please contact factory.
- black Coding A (N ⊕ 1 2 3)
 - white Coding A (N ⊕ 1 2 3)
 - blue Coding I (N ⊕ L - +)
- For coding information, see pages 224 to 226.
Fire load data available upon request.

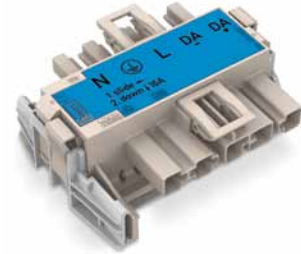
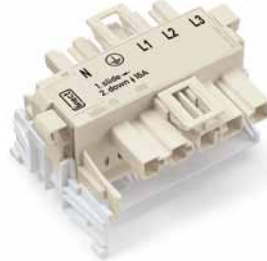


	<p>PVC H05VV-F 5G1 halogen-free H05Z1Z1-F 5G1</p> <p>400 V/6 kV/3 I_N 10 A</p> <p>Conductor ends, bonded: 9 mm</p> <p>① Approvals</p>																																								
<p>Interconnecting cable, socket – plug</p>	<table border="1"> <thead> <tr> <th>Length</th> <th>Item No. black</th> <th>Item No. white</th> <th>Item No. black</th> <th>Item No. white</th> </tr> </thead> <tbody> <tr> <td colspan="5">● Coding I, e.g., for dimming function (DALI)</td> </tr> <tr> <td colspan="2">PVC</td> <td colspan="3">halogen-free</td> </tr> <tr> <td>1 m</td> <td>891-8985/005-101</td> <td>.../005-102</td> <td>891-8985/015-101</td> <td>.../015-102</td> </tr> <tr> <td>2 m</td> <td>891-8985/005-201</td> <td>.../005-202</td> <td>891-8985/015-201</td> <td>.../015-202</td> </tr> <tr> <td>3 m</td> <td>891-8985/005-301</td> <td>.../005-302</td> <td>891-8985/015-301</td> <td>.../015-302</td> </tr> <tr> <td>5 m</td> <td>891-8985/005-501</td> <td>.../005-502</td> <td>891-8985/015-501</td> <td>.../015-502</td> </tr> <tr> <td>7 m</td> <td>891-8985/005-701</td> <td>.../005-702</td> <td>891-8985/015-701</td> <td>.../015-702</td> </tr> </tbody> </table>	Length	Item No. black	Item No. white	Item No. black	Item No. white	● Coding I, e.g., for dimming function (DALI)					PVC		halogen-free			1 m	891-8985/005-101	.../005-102	891-8985/015-101	.../015-102	2 m	891-8985/005-201	.../005-202	891-8985/015-201	.../015-202	3 m	891-8985/005-301	.../005-302	891-8985/015-301	.../015-302	5 m	891-8985/005-501	.../005-502	891-8985/015-501	.../015-502	7 m	891-8985/005-701	.../005-702	891-8985/015-701	.../015-702
Length	Item No. black	Item No. white	Item No. black	Item No. white																																					
● Coding I, e.g., for dimming function (DALI)																																									
PVC		halogen-free																																							
1 m	891-8985/005-101	.../005-102	891-8985/015-101	.../015-102																																					
2 m	891-8985/005-201	.../005-202	891-8985/015-201	.../015-202																																					
3 m	891-8985/005-301	.../005-302	891-8985/015-301	.../015-302																																					
5 m	891-8985/005-501	.../005-502	891-8985/015-501	.../015-502																																					
7 m	891-8985/005-701	.../005-702	891-8985/015-701	.../015-702																																					
																																									
<p>Connecting cable, socket – free end</p>	<table border="1"> <thead> <tr> <th>Length</th> <th>Item No. black</th> <th>Item No. white</th> <th>Item No. black</th> <th>Item No. white</th> </tr> </thead> <tbody> <tr> <td colspan="5">● Coding I, e.g., for dimming function (DALI)</td> </tr> <tr> <td colspan="2">PVC</td> <td colspan="3">halogen-free</td> </tr> <tr> <td>1 m</td> <td>891-8985/105-101</td> <td>.../105-102</td> <td>891-8985/115-101</td> <td>.../115-102</td> </tr> <tr> <td>2 m</td> <td>891-8985/105-201</td> <td>.../105-202</td> <td>891-8985/115-201</td> <td>.../115-202</td> </tr> <tr> <td>3 m</td> <td>891-8985/105-301</td> <td>.../105-302</td> <td>891-8985/115-301</td> <td>.../115-302</td> </tr> <tr> <td>5 m</td> <td>891-8985/105-501</td> <td>.../105-502</td> <td>891-8985/115-501</td> <td>.../115-502</td> </tr> <tr> <td>7 m</td> <td>891-8985/105-701</td> <td>.../105-702</td> <td>891-8985/115-701</td> <td>.../115-702</td> </tr> </tbody> </table>	Length	Item No. black	Item No. white	Item No. black	Item No. white	● Coding I, e.g., for dimming function (DALI)					PVC		halogen-free			1 m	891-8985/105-101	.../105-102	891-8985/115-101	.../115-102	2 m	891-8985/105-201	.../105-202	891-8985/115-201	.../115-202	3 m	891-8985/105-301	.../105-302	891-8985/115-301	.../115-302	5 m	891-8985/105-501	.../105-502	891-8985/115-501	.../115-502	7 m	891-8985/105-701	.../105-702	891-8985/115-701	.../115-702
Length	Item No. black	Item No. white	Item No. black	Item No. white																																					
● Coding I, e.g., for dimming function (DALI)																																									
PVC		halogen-free																																							
1 m	891-8985/105-101	.../105-102	891-8985/115-101	.../115-102																																					
2 m	891-8985/105-201	.../105-202	891-8985/115-201	.../115-202																																					
3 m	891-8985/105-301	.../105-302	891-8985/115-301	.../115-302																																					
5 m	891-8985/105-501	.../105-502	891-8985/115-501	.../115-502																																					
7 m	891-8985/105-701	.../105-702	891-8985/115-701	.../115-702																																					
																																									
<p>Connecting cable, plug – free end</p>	<table border="1"> <thead> <tr> <th>Length</th> <th>Item No. black</th> <th>Item No. white</th> <th>Item No. black</th> <th>Item No. white</th> </tr> </thead> <tbody> <tr> <td colspan="5">● Coding I, e.g., for dimming function (DALI)</td> </tr> <tr> <td colspan="2">PVC</td> <td colspan="3">halogen-free</td> </tr> <tr> <td>1 m</td> <td>891-8985/205-101</td> <td>.../205-102</td> <td>891-8985/215-101</td> <td>.../215-102</td> </tr> <tr> <td>2 m</td> <td>891-8985/205-201</td> <td>.../205-202</td> <td>891-8985/215-201</td> <td>.../215-202</td> </tr> <tr> <td>3 m</td> <td>891-8985/205-301</td> <td>.../205-302</td> <td>891-8985/215-301</td> <td>.../215-302</td> </tr> <tr> <td>5 m</td> <td>891-8985/205-501</td> <td>.../205-502</td> <td>891-8985/215-501</td> <td>.../215-502</td> </tr> <tr> <td>7 m</td> <td>891-8985/205-701</td> <td>.../205-702</td> <td>891-8985/215-701</td> <td>.../215-702</td> </tr> </tbody> </table>	Length	Item No. black	Item No. white	Item No. black	Item No. white	● Coding I, e.g., for dimming function (DALI)					PVC		halogen-free			1 m	891-8985/205-101	.../205-102	891-8985/215-101	.../215-102	2 m	891-8985/205-201	.../205-202	891-8985/215-201	.../215-202	3 m	891-8985/205-301	.../205-302	891-8985/215-301	.../215-302	5 m	891-8985/205-501	.../205-502	891-8985/215-501	.../215-502	7 m	891-8985/205-701	.../205-702	891-8985/215-701	.../215-702
Length	Item No. black	Item No. white	Item No. black	Item No. white																																					
● Coding I, e.g., for dimming function (DALI)																																									
PVC		halogen-free																																							
1 m	891-8985/205-101	.../205-102	891-8985/215-101	.../215-102																																					
2 m	891-8985/205-201	.../205-202	891-8985/215-201	.../215-202																																					
3 m	891-8985/205-301	.../205-302	891-8985/215-301	.../215-302																																					
5 m	891-8985/205-501	.../205-502	891-8985/215-501	.../215-502																																					
7 m	891-8985/205-701	.../205-702	891-8985/215-701	.../215-702																																					
																																									
<p>Accessories</p>	<p>Locking lever, for "flying leads,"</p>																																								
	<p>tool operated</p> <table border="1"> <tr> <td>black</td> <td>890-111</td> <td>100 (2x50)</td> </tr> <tr> <td>white</td> <td>890-131</td> <td>100 (2x50)</td> </tr> </table>	black	890-111	100 (2x50)	white	890-131	100 (2x50)																																		
black	890-111	100 (2x50)																																							
white	890-131	100 (2x50)																																							
	<p>Mounting carrier, for 2- to 5-pole "flying leads"</p> <table border="1"> <tr> <td>black</td> <td>890-310</td> <td>100</td> </tr> <tr> <td>white</td> <td>890-311</td> <td>100</td> </tr> </table>	black	890-310	100	white	890-311	100																																		
black	890-310	100																																							
white	890-311	100																																							

		PVC H05VV-F 5G1.5 halogen-free H05Z1Z1-F 5G1.5 400 V/6 kV/3 I _N 13 A Conductor ends, bonded: 9 mm ① Approvals				
Interconnecting cable, socket – plug		Length	Item No. black	Item No. white	Item No. black	Item No. white
 		● ○ Coding A	PVC halogen-free			
		1 m	891-8995/006-101	.../006-102	891-8995/016-101	.../016-102
		2 m	891-8995/006-201	.../006-202	891-8995/016-201	.../016-202
		3 m	891-8995/006-301	.../006-302	891-8995/016-301	.../016-302
		5 m	891-8995/006-501	.../006-502	891-8995/016-501	.../016-502
		7 m	891-8995/006-701	.../006-702	891-8995/016-701	.../016-702
Connecting cable, socket – free end		Length	Item No. black	Item No. white	Item No. black	Item No. white
 		● ○ Coding A	PVC halogen-free			
		1 m	891-8995/106-101	.../106-102	891-8995/116-101	.../116-102
		2 m	891-8995/106-201	.../106-202	891-8995/116-201	.../116-202
		3 m	891-8995/106-301	.../106-302	891-8995/116-301	.../116-302
		5 m	891-8995/106-501	.../106-502	891-8995/116-501	.../116-502
		7 m	891-8995/106-701	.../106-702	891-8995/116-701	.../116-702
Connecting cable, plug – free end		Length	Item No. black	Item No. white	Item No. black	Item No. white
 		● ○ Coding A	PVC halogen-free			
		1 m	891-8995/206-101	.../206-102	891-8995/216-101	.../216-102
		2 m	891-8995/206-201	.../206-202	891-8995/216-201	.../216-202
		3 m	891-8995/206-301	.../206-302	891-8995/216-301	.../216-302
		5 m	891-8995/206-501	.../206-502	891-8995/216-501	.../216-502
		7 m	891-8995/206-701	.../206-702	891-8995/216-701	.../216-702
Info		Accessories				
<p>① For "International Certification Organizations" and "Approvals – User Guide," see pages 240 to 243. Marine approvals (GL, LR, NV) relate exclusively to cables approved for marine applications.</p> <p>② Blue plugs and sockets are suitable for 16A DALI applications.</p> <p>For other cables, please contact factory.</p> <p>● black Coding A (N ⊕ 1 2 3) ○ white Coding A (N ⊕ 1 2 3) ● blue Coding I (N ⊕ L – +)</p> <p>For coding information, see pages 224 to 226. Fire load data available upon request.</p>		Locking lever, for "flying leads,"  tool operated black 890-111 100 (2x50) white 890-131 100 (2x50)				
		Mounting carrier, for 2- to 5-pole "flying leads"  black 890-310 100 white 890-311 100				

	<p>PVC H05VV-F 5G1.5 halogen-free H05Z1Z1-F 5G1.5</p> <p>400 V/6 kV/3 I_N 16 A ②</p> <p>Conductor ends, bonded: 9 mm</p> <p>① Approvals</p>																																								
<p>Interconnecting cable, socket – plug</p>	<table border="1"> <thead> <tr> <th>Length</th> <th>Item No. black</th> <th>Item No. white</th> <th>Item No. black</th> <th>Item No. white</th> </tr> </thead> <tbody> <tr> <td colspan="5">● Coding I, e.g., for dimming function (DALI)</td> </tr> <tr> <td colspan="2">PVC</td> <td colspan="3">halogen-free</td> </tr> <tr> <td>1 m</td> <td>891-8985/006-101</td> <td>.../006-102</td> <td>891-8985/016-101</td> <td>.../016-102</td> </tr> <tr> <td>2 m</td> <td>891-8985/006-201</td> <td>.../006-202</td> <td>891-8985/016-201</td> <td>.../016-202</td> </tr> <tr> <td>3 m</td> <td>891-8985/006-301</td> <td>.../006-302</td> <td>891-8985/016-301</td> <td>.../016-302</td> </tr> <tr> <td>5 m</td> <td>891-8985/006-501</td> <td>.../006-502</td> <td>891-8985/016-501</td> <td>.../016-502</td> </tr> <tr> <td>7 m</td> <td>891-8985/006-701</td> <td>.../006-702</td> <td>891-8985/016-701</td> <td>.../016-702</td> </tr> </tbody> </table>	Length	Item No. black	Item No. white	Item No. black	Item No. white	● Coding I, e.g., for dimming function (DALI)					PVC		halogen-free			1 m	891-8985/006-101	.../006-102	891-8985/016-101	.../016-102	2 m	891-8985/006-201	.../006-202	891-8985/016-201	.../016-202	3 m	891-8985/006-301	.../006-302	891-8985/016-301	.../016-302	5 m	891-8985/006-501	.../006-502	891-8985/016-501	.../016-502	7 m	891-8985/006-701	.../006-702	891-8985/016-701	.../016-702
Length	Item No. black	Item No. white	Item No. black	Item No. white																																					
● Coding I, e.g., for dimming function (DALI)																																									
PVC		halogen-free																																							
1 m	891-8985/006-101	.../006-102	891-8985/016-101	.../016-102																																					
2 m	891-8985/006-201	.../006-202	891-8985/016-201	.../016-202																																					
3 m	891-8985/006-301	.../006-302	891-8985/016-301	.../016-302																																					
5 m	891-8985/006-501	.../006-502	891-8985/016-501	.../016-502																																					
7 m	891-8985/006-701	.../006-702	891-8985/016-701	.../016-702																																					
																																									
<p>Connecting cable, socket – free end</p>	<table border="1"> <thead> <tr> <th>Length</th> <th>Item No. black</th> <th>Item No. white</th> <th>Item No. black</th> <th>Item No. white</th> </tr> </thead> <tbody> <tr> <td colspan="5">● Coding I, e.g., for dimming function (DALI)</td> </tr> <tr> <td colspan="2">PVC</td> <td colspan="3">halogen-free</td> </tr> <tr> <td>1 m</td> <td>891-8985/106-101</td> <td>.../106-102</td> <td>891-8985/116-101</td> <td>.../116-102</td> </tr> <tr> <td>2 m</td> <td>891-8985/106-201</td> <td>.../106-202</td> <td>891-8985/116-201</td> <td>.../116-202</td> </tr> <tr> <td>3 m</td> <td>891-8985/106-301</td> <td>.../106-302</td> <td>891-8985/116-301</td> <td>.../116-302</td> </tr> <tr> <td>5 m</td> <td>891-8985/106-501</td> <td>.../106-502</td> <td>891-8985/116-501</td> <td>.../116-502</td> </tr> <tr> <td>7 m</td> <td>891-8985/106-701</td> <td>.../106-702</td> <td>891-8985/116-701</td> <td>.../116-702</td> </tr> </tbody> </table>	Length	Item No. black	Item No. white	Item No. black	Item No. white	● Coding I, e.g., for dimming function (DALI)					PVC		halogen-free			1 m	891-8985/106-101	.../106-102	891-8985/116-101	.../116-102	2 m	891-8985/106-201	.../106-202	891-8985/116-201	.../116-202	3 m	891-8985/106-301	.../106-302	891-8985/116-301	.../116-302	5 m	891-8985/106-501	.../106-502	891-8985/116-501	.../116-502	7 m	891-8985/106-701	.../106-702	891-8985/116-701	.../116-702
Length	Item No. black	Item No. white	Item No. black	Item No. white																																					
● Coding I, e.g., for dimming function (DALI)																																									
PVC		halogen-free																																							
1 m	891-8985/106-101	.../106-102	891-8985/116-101	.../116-102																																					
2 m	891-8985/106-201	.../106-202	891-8985/116-201	.../116-202																																					
3 m	891-8985/106-301	.../106-302	891-8985/116-301	.../116-302																																					
5 m	891-8985/106-501	.../106-502	891-8985/116-501	.../116-502																																					
7 m	891-8985/106-701	.../106-702	891-8985/116-701	.../116-702																																					
																																									
<p>Connecting cable, plug – free end</p>	<table border="1"> <thead> <tr> <th>Length</th> <th>Item No. black</th> <th>Item No. white</th> <th>Item No. black</th> <th>Item No. white</th> </tr> </thead> <tbody> <tr> <td colspan="5">● Coding I, e.g., for dimming function (DALI)</td> </tr> <tr> <td colspan="2">PVC</td> <td colspan="3">halogen-free</td> </tr> <tr> <td>1 m</td> <td>891-8985/206-101</td> <td>.../206-102</td> <td>891-8985/216-101</td> <td>.../216-102</td> </tr> <tr> <td>2 m</td> <td>891-8985/206-201</td> <td>.../206-202</td> <td>891-8985/216-201</td> <td>.../216-202</td> </tr> <tr> <td>3 m</td> <td>891-8985/206-301</td> <td>.../206-302</td> <td>891-8985/216-301</td> <td>.../216-302</td> </tr> <tr> <td>5 m</td> <td>891-8985/206-501</td> <td>.../206-502</td> <td>891-8985/216-501</td> <td>.../216-502</td> </tr> <tr> <td>7 m</td> <td>891-8985/206-701</td> <td>.../206-702</td> <td>891-8985/216-701</td> <td>.../216-702</td> </tr> </tbody> </table>	Length	Item No. black	Item No. white	Item No. black	Item No. white	● Coding I, e.g., for dimming function (DALI)					PVC		halogen-free			1 m	891-8985/206-101	.../206-102	891-8985/216-101	.../216-102	2 m	891-8985/206-201	.../206-202	891-8985/216-201	.../216-202	3 m	891-8985/206-301	.../206-302	891-8985/216-301	.../216-302	5 m	891-8985/206-501	.../206-502	891-8985/216-501	.../216-502	7 m	891-8985/206-701	.../206-702	891-8985/216-701	.../216-702
Length	Item No. black	Item No. white	Item No. black	Item No. white																																					
● Coding I, e.g., for dimming function (DALI)																																									
PVC		halogen-free																																							
1 m	891-8985/206-101	.../206-102	891-8985/216-101	.../216-102																																					
2 m	891-8985/206-201	.../206-202	891-8985/216-201	.../216-202																																					
3 m	891-8985/206-301	.../206-302	891-8985/216-301	.../216-302																																					
5 m	891-8985/206-501	.../206-502	891-8985/216-501	.../216-502																																					
7 m	891-8985/206-701	.../206-702	891-8985/216-701	.../216-702																																					
																																									
<p>Accessories</p>	<p>Locking lever, for "flying leads,"</p>																																								
	<p>tool operated</p> <table border="1"> <tr> <td>black</td> <td>890-111</td> <td>100 (2x50)</td> </tr> <tr> <td>white</td> <td>890-131</td> <td>100 (2x50)</td> </tr> </table>	black	890-111	100 (2x50)	white	890-131	100 (2x50)																																		
black	890-111	100 (2x50)																																							
white	890-131	100 (2x50)																																							
	<p>Mounting carrier, for 2- to 5-pole "flying leads"</p> <table border="1"> <tr> <td>black</td> <td>890-310</td> <td>100</td> </tr> <tr> <td>white</td> <td>890-311</td> <td>100</td> </tr> </table>	black	890-310	100	white	890-311	100																																		
black	890-310	100																																							
white	890-311	100																																							

<p>400 V/6 kV/3 I_N 25 A (16 A) ①</p> <p>② Approvals</p>	<p>400 V/6 kV/3 I_N 25 A (16 A) ①</p> <p>② Approvals</p> <p><i>Available March 2013</i></p>	<p>400 V/6 kV/3 I_N 25 A (16 A) ①</p> <p>② Approvals</p>
--	---	--

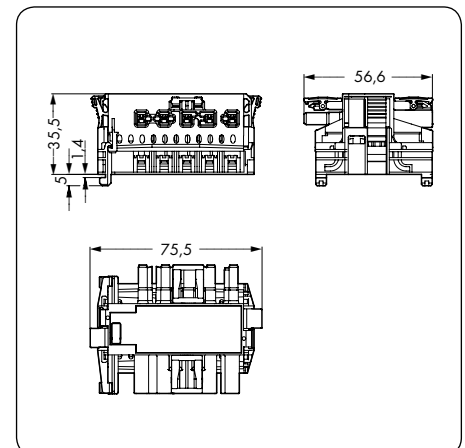
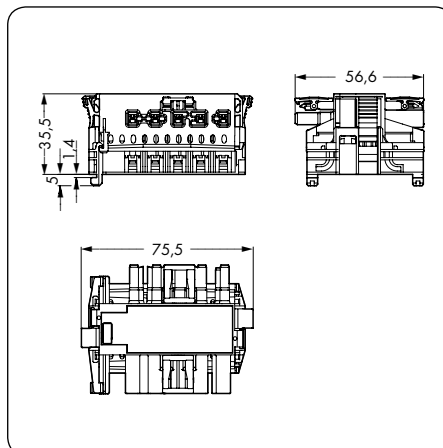
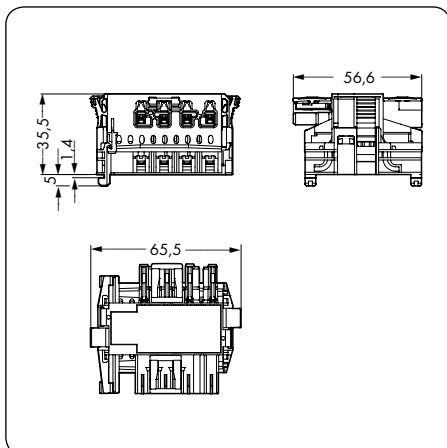



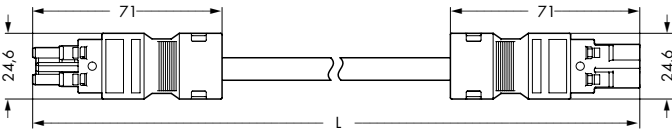

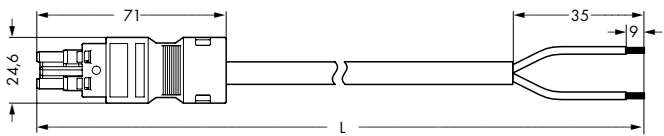

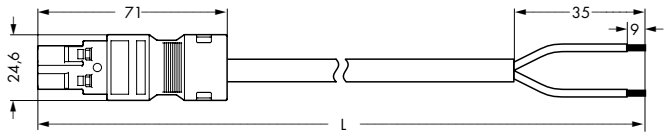





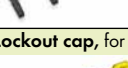

Color	Item No.	Pack. Unit	Color	Item No.	Pack. Unit	Color	Item No.	Pack. Unit
Linect® T-connector, 4-pole, socket - plug, white housing, white cover			Linect® T-connector, 5-pole, socket - plug, white housing			Linect® T-connector, 5-pole, socket - plug, white housing		
○ white	770-6224	25	○ white	770-6225	25	● blue	770-7105	20
Suitable for 294-8024 and 294-8124 lighting connectors			Suitable for 294-8015 and 294-8115 lighting connectors			for DALI applications Suitable for 294-8035 and 294-8135 lighting connectors		
						for emergency power ● dark gray 770-7505 20 Suitable for 294-8025 and 294-8125 lighting connectors		


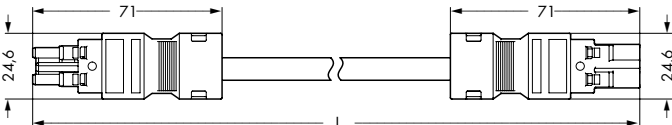

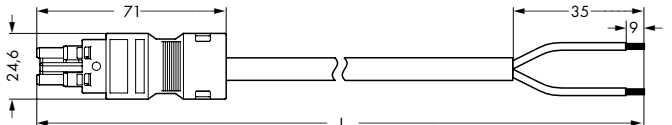

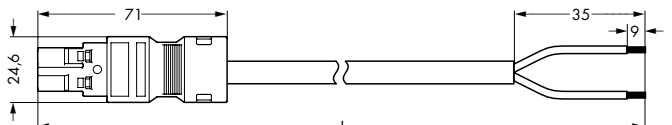




Item-Specific Accessories

<p>Lockout cap, for socket, separable, 12-pole</p> <p>black 770-201 100 white 770-221 100</p>	<p>Lockout cap, for socket, separable, 12-pole</p> <p>black 770-201 100 white 770-221 100</p>	<p>Lockout cap, for socket, separable, 12-pole</p> <p>black 770-201 100 white 770-221 100</p>
<p>Lockout cap, for plug, separable, 5-pole</p> <p>yellow 770-360 100</p>	<p>Lockout cap, for plug, separable, 5-pole</p> <p>yellow 770-360 100</p>	<p>Lockout cap, for plug, separable, 5-pole</p> <p>yellow 770-360 100</p>
<p>Coding pin, for plug (A and B coding)</p> <p>gray 770-401 100</p>		

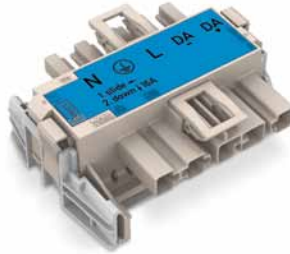
Dimensions



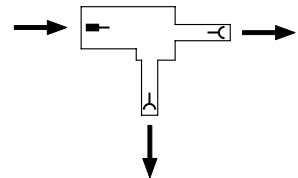
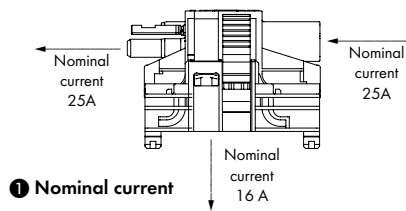
		PVC H05VV-F 2x1 halogen-free H05Z1 Z1-F 2x1 250 V/4 kV/3 I _N 10 A Conductor ends, bonded: 9 mm ① Approvals					
Interconnecting cable, socket – plug		Length	Item No. black	Item No. white	Item No. black	Item No. white	
 		● Coding I, e.g., for dimming function (DALI) PVC halogen-free					
		1 m	771-8982/005-101	.../005-102	771-8982/015-101	.../015-102	
		2 m	771-8982/005-201	.../005-202	771-8982/015-201	.../015-202	
		3 m	771-8982/005-301	.../005-302	771-8982/015-301	.../015-302	
		5 m	771-8982/005-501	.../005-502	771-8982/015-501	.../015-502	
		7 m	771-8982/005-701	.../005-702	771-8982/015-701	.../015-702	
Connecting cable, socket – free end		Length	Item No. black	Item No. white	Item No. black	Item No. white	
 		● Coding I, e.g., for dimming function (DALI) PVC halogen-free					
		1 m	771-8982/105-101	.../105-102	771-8982/115-101	.../115-102	
		2 m	771-8982/105-201	.../105-202	771-8982/115-201	.../115-202	
		3 m	771-8982/105-301	.../105-302	771-8982/115-301	.../115-302	
		5 m	771-8982/105-501	.../105-502	771-8982/115-501	.../115-502	
		7 m	771-8982/105-701	.../105-702	771-8982/115-701	.../115-702	
Connecting cable, plug – free end		Length	Item No. black	Item No. white	Item No. black	Item No. white	
 		● Coding I, e.g., for dimming function (DALI) PVC halogen-free					
		1 m	771-8982/205-101	.../205-102	771-8982/215-101	.../215-102	
		2 m	771-8982/205-201	.../205-202	771-8982/215-201	.../215-202	
		3 m	771-8982/205-301	.../205-302	771-8982/215-301	.../215-302	
		5 m	771-8982/205-501	.../205-502	771-8982/215-501	.../215-502	
		7 m	771-8982/205-701	.../205-702	771-8982/215-701	.../215-702	
Info		Accessories					
① For "International Certification Organizations" and "Approvals – User Guide," see pages 240 to 243. Marine approvals (GL, LR, NV) relate exclusively to cables approved for marine applications. For other cables, please contact factory. ● black Coding A (L N) ○ white Coding A (L N) ● blue Coding I (DA+ DA-)		Locking lever, for "flying leads," manually operated					
		 black		770-101	100	4x25	
		 white		770-121	100	4x25	
		Locking lever, for "flying leads," tool operated					
		 black		770-111	100	4x25	
		 white		770-131	100	4x25	
		Lockout cap, for socket, separable, 12-pole					
		 black		770-201	100		
		 white		770-221	100		
		Lockout cap, for plug, separable, 5-pole					
		 yellow		770-360	100		
		For coding information, see pages 224 to 226. Fire load data available upon request.					

		PVC H05VV-F 2x1.5 halogen-free H05Z1Z1-F 2x1.5 250 V/4 kV/3 I _N 16 A Conductor ends, bonded: 9 mm Approvals				
Interconnecting cable, socket – plug		Length	Item No. black	Item No. white	Item No. black	Item No. white
 		● Coding I , e.g., for dimming function (DALI) PVC halogen-free				
		1 m	771-8982/006-101	.../006-102	771-8982/016-101	.../016-102
		2 m	771-8982/006-201	.../006-202	771-8982/016-201	.../016-202
		3 m	771-8982/006-301	.../006-302	771-8982/016-301	.../016-302
		5 m	771-8982/006-501	.../006-502	771-8982/016-501	.../016-502
		7 m	771-8982/006-701	.../006-702	771-8982/016-701	.../016-702
Connecting cable, socket – free end		Length	Item No. black	Item No. white	Item No. black	Item No. white
 		● Coding I , e.g., for dimming function (DALI) PVC halogen-free				
		1 m	771-8982/106-101	.../106-102	771-8982/116-101	.../116-102
		2 m	771-8982/106-201	.../106-202	771-8982/116-201	.../116-202
		3 m	771-8982/106-301	.../106-302	771-8982/116-301	.../116-302
		5 m	771-8982/106-501	.../106-502	771-8982/116-501	.../116-502
		7 m	771-8982/106-701	.../106-702	771-8982/116-701	.../116-702
Connecting cable, plug – free end		Length	Item No. black	Item No. white	Item No. black	Item No. white
 		● Coding I , e.g., for dimming function (DALI) PVC halogen-free				
		1 m	771-8982/206-101	.../206-102	771-8982/216-101	.../216-102
		2 m	771-8982/206-201	.../206-202	771-8982/216-201	.../216-202
		3 m	771-8982/206-301	.../206-302	771-8982/216-301	.../216-302
		5 m	771-8982/206-501	.../206-502	771-8982/216-501	.../216-502
		7 m	771-8982/206-701	.../206-702	771-8982/216-701	.../216-702
Info		Accessories				
<p>❶ For "International Certification Organizations" and "Approvals – User Guide," see pages 240 to 243. Marine approvals (GL, LR, NV) relate exclusively to cables approved for marine applications.</p> <p>For other cables, please contact factory.</p> <p>● blue Coding I (DA+ DA-) ● dark gray Coding L (L' N')</p> <p>For coding information, see pages 224 to 226. Fire load data available upon request.</p>		Locking lever, for "flying leads," manually operated				
		 black 770-101 100 (4x25)				
		white 770-121 100 (4x25)				
		Locking lever, for "flying leads," tool operated				
		 black 770-111 100 (4x25)				
		white 770-131 100 (4x25)				
		Lockout cap, for socket, separable, 12-pole				
		 black 770-201 100				
		white 770-221 100				
		Lockout cap, for plug, separable, 5-pole				
 yellow 770-360 100						

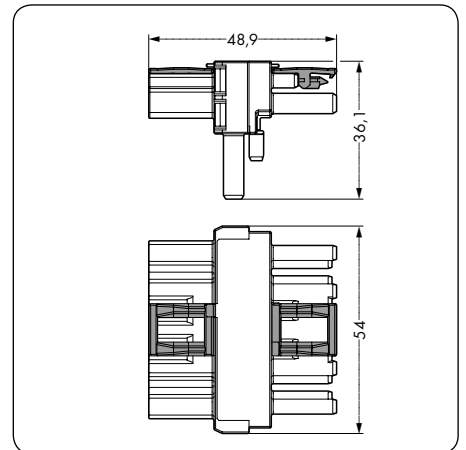
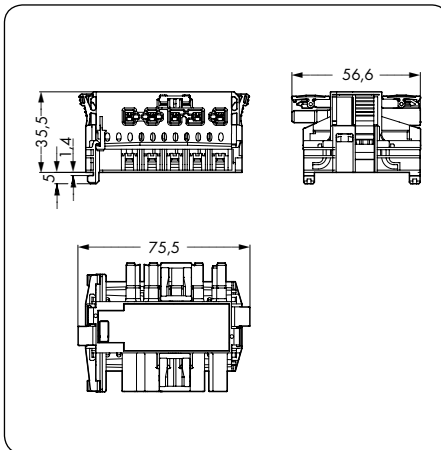
	400 V/6 kV/3 I_N 25 A (16 A) ① ② Approvals <i>*Available March 2013</i>	400 V/6 kV/3 I_N 25 A ② Approvals
--	--	---




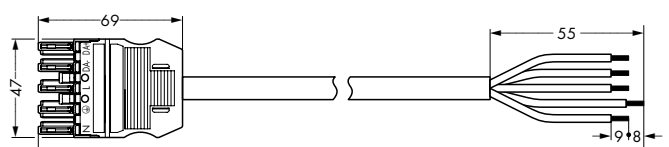

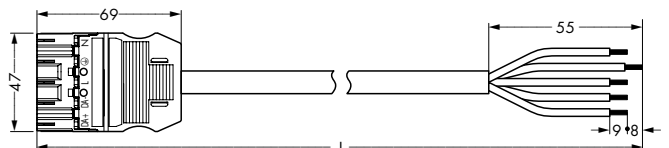







Description	Color	Item No.	Pack. Unit	Color	Item No.	Pack. Unit
Linect® T-connectors		Linect® T-connector ③, 5-pole,			T-distribution connector, 1 x plug / 2 x socket	
T-distribution connectors		socket - plug		● black	770-621	50
Intermediate couplers		White housing, white cover		○ white	770-671	50
		○ white	25	● blue	770-617	50
		White housing, blue cover ④		● red	770-921	50
		● blue	20	for "flying leads," with 3rd locking lever		
		White housing, dark gray cover		● black	770-622	50
		● dark gray	20	○ white	770-672	50
				● blue	770-620	50
				● red	770-922	50
Item-Specific Accessories						
		Lockout cap, for socket, separable, 12-pole			Lockout cap, for socket, separable, 12-pole	
				● black	770-201	100
				○ white	770-221	100
		Lockout cap, for plug, separable, 5-pole			Lockout cap, for plug, separable, 5-pole	
				● yellow	770-360	100
Info	Dimensions					

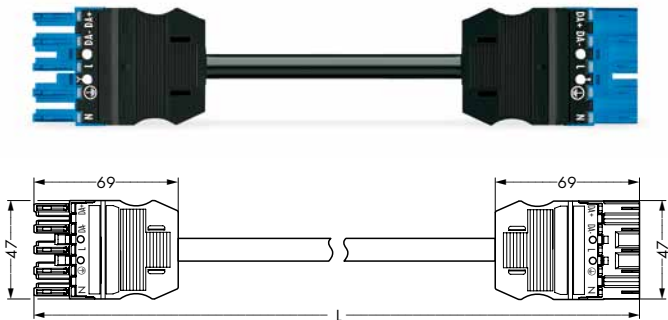
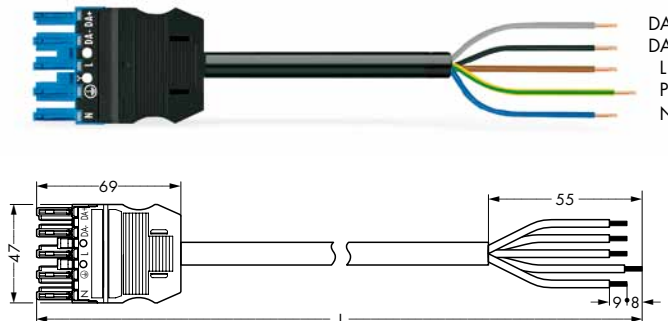
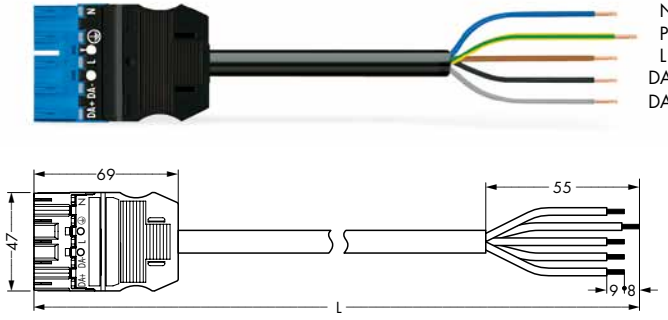


- ② For "International Certification Organizations" and "Approvals - User Guide," see pages 240 to 243.
 - ③ For suitable lighting connectors, see page 61
 - ④ Connectors for DALI applications
 - ⑤ One locking lever for each intermediate coupler is included.
- | | | |
|-------------|----------|-----------------|
| ● black | Coding A | (N ⊕ L1 L2 L3) |
| ○ white | Coding A | (N ⊕ L1 L2 L3) |
| ● blue | Coding I | (N ⊕ L DA- DA+) |
| ● dark gray | Coding L | (N ⊕ L N' L') |
| ● red | Coding P | (N ⊕ L1 L2 L3) |
- For coding information, see pages 224 to 226.
Fire load data available upon request.



		<p>PVC H05VV-F 5G1.5 halogen-free H05Z1Z1-F 5G1.5</p> <p>400 V/6 kV/3 I_N 16 A</p> <p>Conductor ends, bonded: 9 mm</p> <p>① Approvals</p>				
Interconnecting cable, socket – plug		Length	Item No. black	Item No. white	Item No. black	Item No. white
 		<p>● Coding I, e.g., for dimming function (DALI)</p> <p>PVC halogen-free</p> <p>1 m 771-9985/006-101 .../006-102 771-9985/016-101 .../016-102</p> <p>2 m 771-9985/006-201 .../006-202 771-9985/016-201 .../016-202</p> <p>3 m 771-9985/006-301 .../006-302 771-9985/016-301 .../016-302</p> <p>5 m 771-9985/006-501 .../006-502 771-9985/016-501 .../016-502</p> <p>7 m 771-9985/006-701 .../006-702 771-9985/016-701 .../016-702</p>				
Connecting cable, socket – free end		Length	Item No. black	Item No. white	Item No. black	Item No. white
 		<p>● Coding I, e.g., for dimming function (DALI)</p> <p>PVC halogen-free</p> <p>1 m 771-9985/106-101 .../106-102 771-9985/116-101 .../116-102</p> <p>2 m 771-9985/106-201 .../106-202 771-9985/116-201 .../116-202</p> <p>3 m 771-9985/106-301 .../106-302 771-9985/116-301 .../116-302</p> <p>5 m 771-9985/106-501 .../106-502 771-9985/116-501 .../116-502</p> <p>7 m 771-9985/106-701 .../106-702 771-9985/116-701 .../116-702</p>				
Connecting cable, plug – free end		Length	Item No. black	Item No. white	Item No. black	Item No. white
 		<p>● Coding I, e.g., for dimming function (DALI)</p> <p>PVC halogen-free</p> <p>1 m 771-9985/206-101 .../206-102 771-9985/216-101 .../216-102</p> <p>2 m 771-9985/206-201 .../206-202 771-9985/216-201 .../216-202</p> <p>3 m 771-9985/206-301 .../206-302 771-9985/216-301 .../216-302</p> <p>5 m 771-9985/206-501 .../206-502 771-9985/216-501 .../216-502</p> <p>7 m 771-9985/206-701 .../206-702 771-9985/216-701 .../216-702</p>				
		Accessories				
		<p>Locking lever, for "flying leads," manually operated</p> <p> black 770-101 100 (4x25)</p> <p>white 770-121 100 (4x25)</p>				
		<p>Locking lever, for "flying leads," tool operated</p> <p> black 770-111 100 (4x25)</p> <p>white 770-131 100 (4x25)</p>				
		<p>Lockout cap, for socket, separable, 12-pole</p> <p> black 770-201 100</p> <p>white 770-221 100</p>				
Coding pin, for plug (A and B coding)		Lockout cap, for plug, separable, 5-pole				
 gray 770-401 100		 yellow 770-360 100				

Recommended items are shown in red and available for immediate delivery!

	<p>PVC H05VV-F 5G2.5 halogen-free H05Z1Z1-F 5G2.5</p> <p>400 V/6 kV/3 I_N 20 A</p> <p>Conductor ends, bonded: 9 mm</p> <p>① Approvals</p>																																								
Interconnecting cable, socket – plug	<table border="1"> <thead> <tr> <th>Length</th> <th>Item No. black</th> <th>Item No. white</th> <th>Item No. black</th> <th>Item No. white</th> </tr> </thead> <tbody> <tr> <td colspan="5">● Coding I, e.g., for dimming function (DALI)</td> </tr> <tr> <td colspan="2">PVC</td> <td colspan="3">halogen-free</td> </tr> <tr> <td>1 m</td> <td>771-9985/007-101</td> <td>.../007-102</td> <td>771-9985/017-101</td> <td>.../017-102</td> </tr> <tr> <td>2 m</td> <td>771-9985/007-201</td> <td>.../007-202</td> <td>771-9985/017-201</td> <td>.../017-202</td> </tr> <tr> <td>3 m</td> <td>771-9985/007-301</td> <td>.../007-302</td> <td>771-9985/017-301</td> <td>.../017-302</td> </tr> <tr> <td>5 m</td> <td>771-9985/007-501</td> <td>.../007-502</td> <td>771-9985/017-501</td> <td>.../017-502</td> </tr> <tr> <td>7 m</td> <td>771-9985/007-701</td> <td>.../007-702</td> <td>771-9985/017-701</td> <td>.../017-702</td> </tr> </tbody> </table>	Length	Item No. black	Item No. white	Item No. black	Item No. white	● Coding I, e.g., for dimming function (DALI)					PVC		halogen-free			1 m	771-9985/007-101	.../007-102	771-9985/017-101	.../017-102	2 m	771-9985/007-201	.../007-202	771-9985/017-201	.../017-202	3 m	771-9985/007-301	.../007-302	771-9985/017-301	.../017-302	5 m	771-9985/007-501	.../007-502	771-9985/017-501	.../017-502	7 m	771-9985/007-701	.../007-702	771-9985/017-701	.../017-702
Length	Item No. black	Item No. white	Item No. black	Item No. white																																					
● Coding I, e.g., for dimming function (DALI)																																									
PVC		halogen-free																																							
1 m	771-9985/007-101	.../007-102	771-9985/017-101	.../017-102																																					
2 m	771-9985/007-201	.../007-202	771-9985/017-201	.../017-202																																					
3 m	771-9985/007-301	.../007-302	771-9985/017-301	.../017-302																																					
5 m	771-9985/007-501	.../007-502	771-9985/017-501	.../017-502																																					
7 m	771-9985/007-701	.../007-702	771-9985/017-701	.../017-702																																					
																																									
Connecting cable, socket – free end	<table border="1"> <thead> <tr> <th>Length</th> <th>Item No. black</th> <th>Item No. white</th> <th>Item No. black</th> <th>Item No. white</th> </tr> </thead> <tbody> <tr> <td colspan="5">● Coding I, e.g., for dimming function (DALI)</td> </tr> <tr> <td colspan="2">PVC</td> <td colspan="3">halogen-free</td> </tr> <tr> <td>1 m</td> <td>771-9985/107-101</td> <td>.../107-102</td> <td>771-9985/117-101</td> <td>.../117-102</td> </tr> <tr> <td>2 m</td> <td>771-9985/107-201</td> <td>.../107-202</td> <td>771-9985/117-201</td> <td>.../117-202</td> </tr> <tr> <td>3 m</td> <td>771-9985/107-301</td> <td>.../107-302</td> <td>771-9985/117-301</td> <td>.../117-302</td> </tr> <tr> <td>5 m</td> <td>771-9985/107-501</td> <td>.../107-502</td> <td>771-9985/117-501</td> <td>.../117-502</td> </tr> <tr> <td>7 m</td> <td>771-9985/107-701</td> <td>.../107-702</td> <td>771-9985/117-701</td> <td>.../117-702</td> </tr> </tbody> </table>	Length	Item No. black	Item No. white	Item No. black	Item No. white	● Coding I, e.g., for dimming function (DALI)					PVC		halogen-free			1 m	771-9985/107-101	.../107-102	771-9985/117-101	.../117-102	2 m	771-9985/107-201	.../107-202	771-9985/117-201	.../117-202	3 m	771-9985/107-301	.../107-302	771-9985/117-301	.../117-302	5 m	771-9985/107-501	.../107-502	771-9985/117-501	.../117-502	7 m	771-9985/107-701	.../107-702	771-9985/117-701	.../117-702
Length	Item No. black	Item No. white	Item No. black	Item No. white																																					
● Coding I, e.g., for dimming function (DALI)																																									
PVC		halogen-free																																							
1 m	771-9985/107-101	.../107-102	771-9985/117-101	.../117-102																																					
2 m	771-9985/107-201	.../107-202	771-9985/117-201	.../117-202																																					
3 m	771-9985/107-301	.../107-302	771-9985/117-301	.../117-302																																					
5 m	771-9985/107-501	.../107-502	771-9985/117-501	.../117-502																																					
7 m	771-9985/107-701	.../107-702	771-9985/117-701	.../117-702																																					
																																									
Connecting cable, plug – free end	<table border="1"> <thead> <tr> <th>Length</th> <th>Item No. black</th> <th>Item No. white</th> <th>Item No. black</th> <th>Item No. white</th> </tr> </thead> <tbody> <tr> <td colspan="5">● Coding I, e.g., for dimming function (DALI)</td> </tr> <tr> <td colspan="2">PVC</td> <td colspan="3">halogen-free</td> </tr> <tr> <td>1 m</td> <td>771-9985/207-101</td> <td>.../207-102</td> <td>771-9985/217-101</td> <td>.../217-102</td> </tr> <tr> <td>2 m</td> <td>771-9985/207-201</td> <td>.../207-202</td> <td>771-9985/217-201</td> <td>.../217-202</td> </tr> <tr> <td>3 m</td> <td>771-9985/207-301</td> <td>.../207-302</td> <td>771-9985/217-301</td> <td>.../217-302</td> </tr> <tr> <td>5 m</td> <td>771-9985/207-501</td> <td>.../207-502</td> <td>771-9985/217-501</td> <td>.../217-502</td> </tr> <tr> <td>7 m</td> <td>771-9985/207-701</td> <td>.../207-702</td> <td>771-9985/217-701</td> <td>.../217-702</td> </tr> </tbody> </table>	Length	Item No. black	Item No. white	Item No. black	Item No. white	● Coding I, e.g., for dimming function (DALI)					PVC		halogen-free			1 m	771-9985/207-101	.../207-102	771-9985/217-101	.../217-102	2 m	771-9985/207-201	.../207-202	771-9985/217-201	.../217-202	3 m	771-9985/207-301	.../207-302	771-9985/217-301	.../217-302	5 m	771-9985/207-501	.../207-502	771-9985/217-501	.../217-502	7 m	771-9985/207-701	.../207-702	771-9985/217-701	.../217-702
Length	Item No. black	Item No. white	Item No. black	Item No. white																																					
● Coding I, e.g., for dimming function (DALI)																																									
PVC		halogen-free																																							
1 m	771-9985/207-101	.../207-102	771-9985/217-101	.../217-102																																					
2 m	771-9985/207-201	.../207-202	771-9985/217-201	.../217-202																																					
3 m	771-9985/207-301	.../207-302	771-9985/217-301	.../217-302																																					
5 m	771-9985/207-501	.../207-502	771-9985/217-501	.../217-502																																					
7 m	771-9985/207-701	.../207-702	771-9985/217-701	.../217-702																																					
																																									
	Accessories																																								
	<p>Locking lever, for "flying leads," manually operated</p> <table border="1"> <tbody> <tr> <td>black</td> <td>770-101</td> <td>100 (4x25)</td> </tr> <tr> <td>white</td> <td>770-121</td> <td>100 (4x25)</td> </tr> </tbody> </table>	black	770-101	100 (4x25)	white	770-121	100 (4x25)																																		
black	770-101	100 (4x25)																																							
white	770-121	100 (4x25)																																							
	<p>Locking lever, for "flying leads," tool operated</p> <table border="1"> <tbody> <tr> <td>black</td> <td>770-111</td> <td>100 (4x25)</td> </tr> <tr> <td>white</td> <td>770-131</td> <td>100 (4x25)</td> </tr> </tbody> </table>	black	770-111	100 (4x25)	white	770-131	100 (4x25)																																		
black	770-111	100 (4x25)																																							
white	770-131	100 (4x25)																																							
	<p>Lockout cap, for socket, separable, 12-pole</p> <table border="1"> <tbody> <tr> <td>black</td> <td>770-201</td> <td>100</td> </tr> <tr> <td>white</td> <td>770-221</td> <td>100</td> </tr> </tbody> </table>	black	770-201	100	white	770-221	100																																		
black	770-201	100																																							
white	770-221	100																																							
	<p>Lockout cap, for plug, separable, 5-pole</p> <table border="1"> <tbody> <tr> <td>yellow</td> <td>770-360</td> <td>100</td> </tr> </tbody> </table>	yellow	770-360	100																																					
yellow	770-360	100																																							

Recommended items are shown in red and available for immediate delivery!