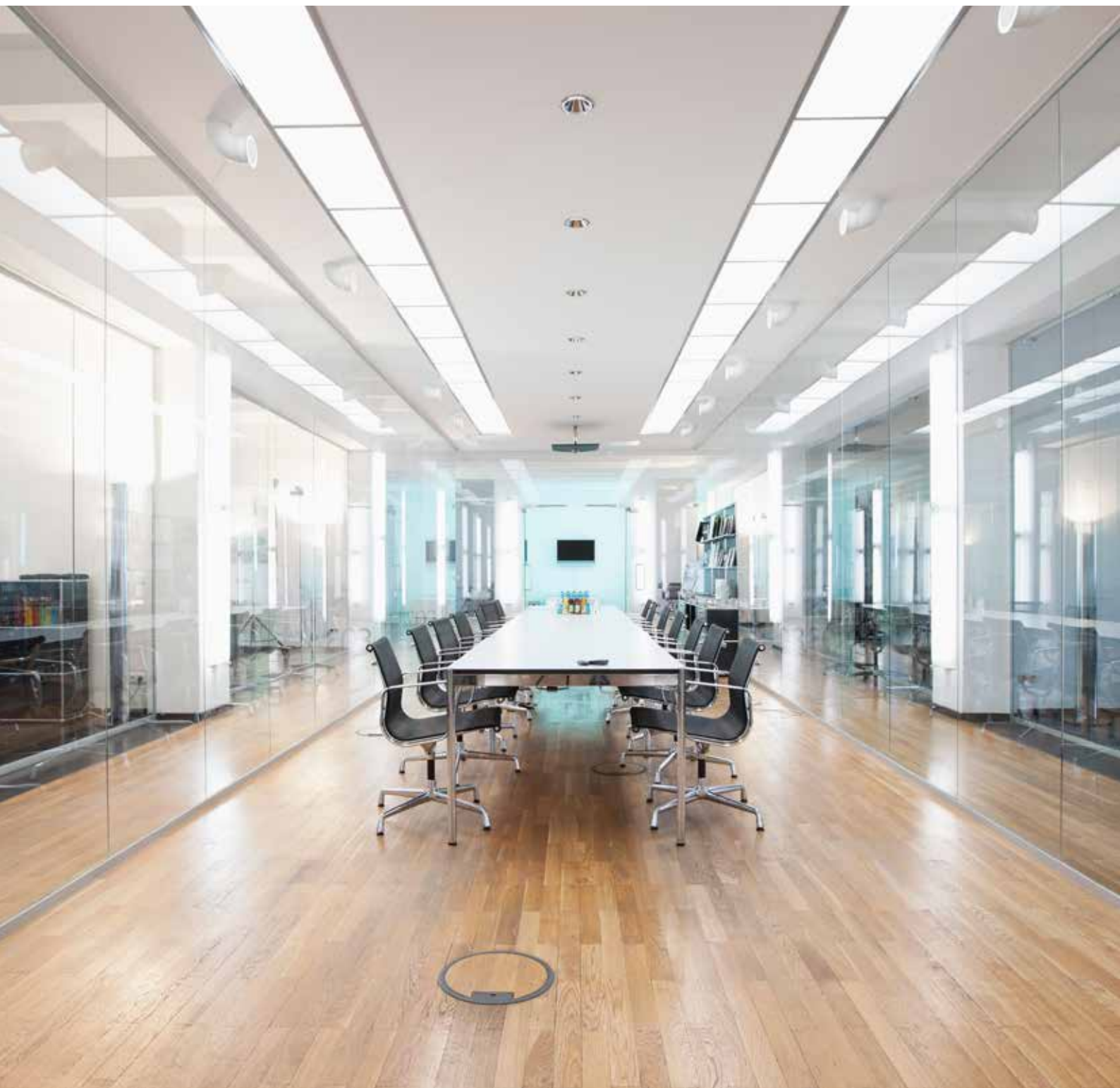


**WINSTA®**

Modern Installations Are Pluggable



# MODERN BUILDING REQUIREMENTS FOR ELECTRICAL INSTALLATIONS

Building use should be  
**flexible** and **expandable**.

**Reduction in**  
construction times

Shortage of skilled labor

**+48%**

longer staff search (Source: AA)

Increased construction volume 2012 → 2017

**+19%**

(Source: DIW Berlin)

**Sustainable** Increased  
demand for **construction**

# OUR ANSWER TO THE REQUIREMENTS:

Construction times for functional buildings have shortened in recent years ever further. As a result, less and less time is available to companies for electrical installations and subsequent troubleshooting.

The **WINSTA® Pluggable Connection System** minimizes and optimizes the tight installation time on the construction site. Instead of individually wiring each light, socket or other building technology components, only the transfer point has to be wired to the pluggable installation. And then it's just **Plug & Play** from there.

Pre-assembled connecting and interconnecting cables make short work of the pluggable installation and **color coding** makes **error-free installation** easy.

Modern buildings have high demands on the flexibility of the room layout. For example, the power supply can be **adapted at any time** for individual workstations when the position of the desks changes due to a new room layout by using pluggable connectors in combination with ceiling connection columns.

Buildings designed in a targeted fashion that is optimized from the standpoint of environmental friendliness and energy management are highly regarded. Sustainability has become a sign of quality and factors heavily into success among competitors. In fact, the levels of ecological and economic quality that can be achieved for a building are determined when components are selected for building construction. **Speed, flexibility, and expandability** – these criteria are becoming more and more important over the entire life cycle of buildings and are **parameters for the future viability** of buildings.

The **WINSTA® Pluggable Connection System** for building installations takes these aspects into account in its flexible and modifiable construction and **encourages sustainable building quality** already in the planning phase.

# THE WINSTA® PLUGGABLE CONNECTION SYSTEM

The WINSTA® Pluggable Connection System readily meets the high requirements of building installations. The system provides simple pluggable electrical connections – electrical installations are fast, safe and error-free. You benefit from quality-tested components that ensure modern installations are error-free and completed on time.

## Plug into the difference:

- Time savings on the construction site
- Optimized resource allocation
- Protection against mismatching and mechanical coding
- Reconfiguration flexibility
- Timely completion of installation work



Connecting cables and distribution boxes are assembled quickly and without errors.



# WINSTA® IN USE

WINSTA® is best used in functional buildings where there are multiple installations or those planned in a grid. Recurring and repetitive connection work make use of preconfigured system solutions possible. This applies to different building types, such as office buildings, hotels, schools and universities, as well as hospitals and care facilities.

- Installation of lighting systems
- Installation of shading systems
- Electrification of workstations
- Installation of underfloor systems
- Installation of ducting systems

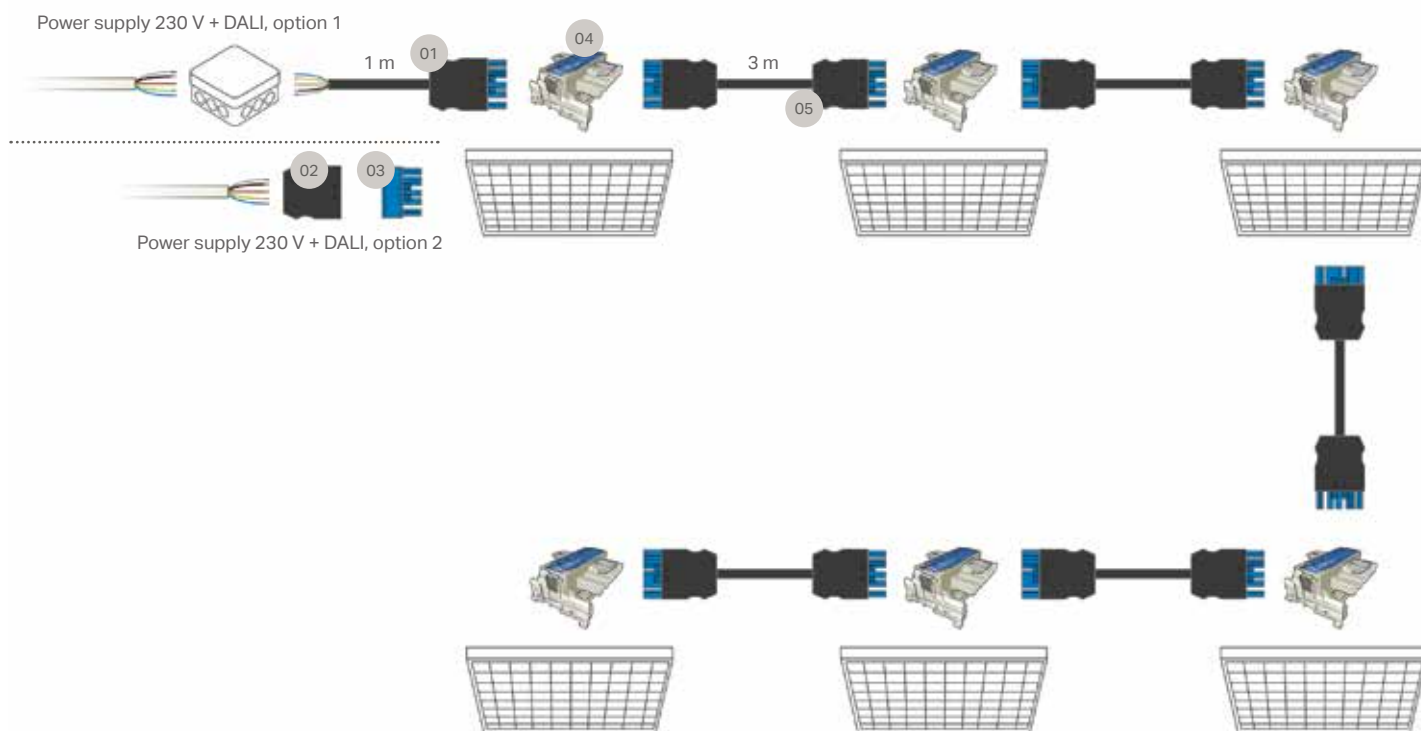
We have assembled a collection of typical applications in building installations in five categories. They can be realized in this form or provide a planning basis to meet your individual requirements.



# DALI LIGHTS WITH Linect®:

## Advantages:

- Lighting control via DALI bus
- Eliminate time-consuming through-wiring light installations
- Quickly replace defective lights in the operating phase
- Linect® lights are available at no extra cost from various manufacturers



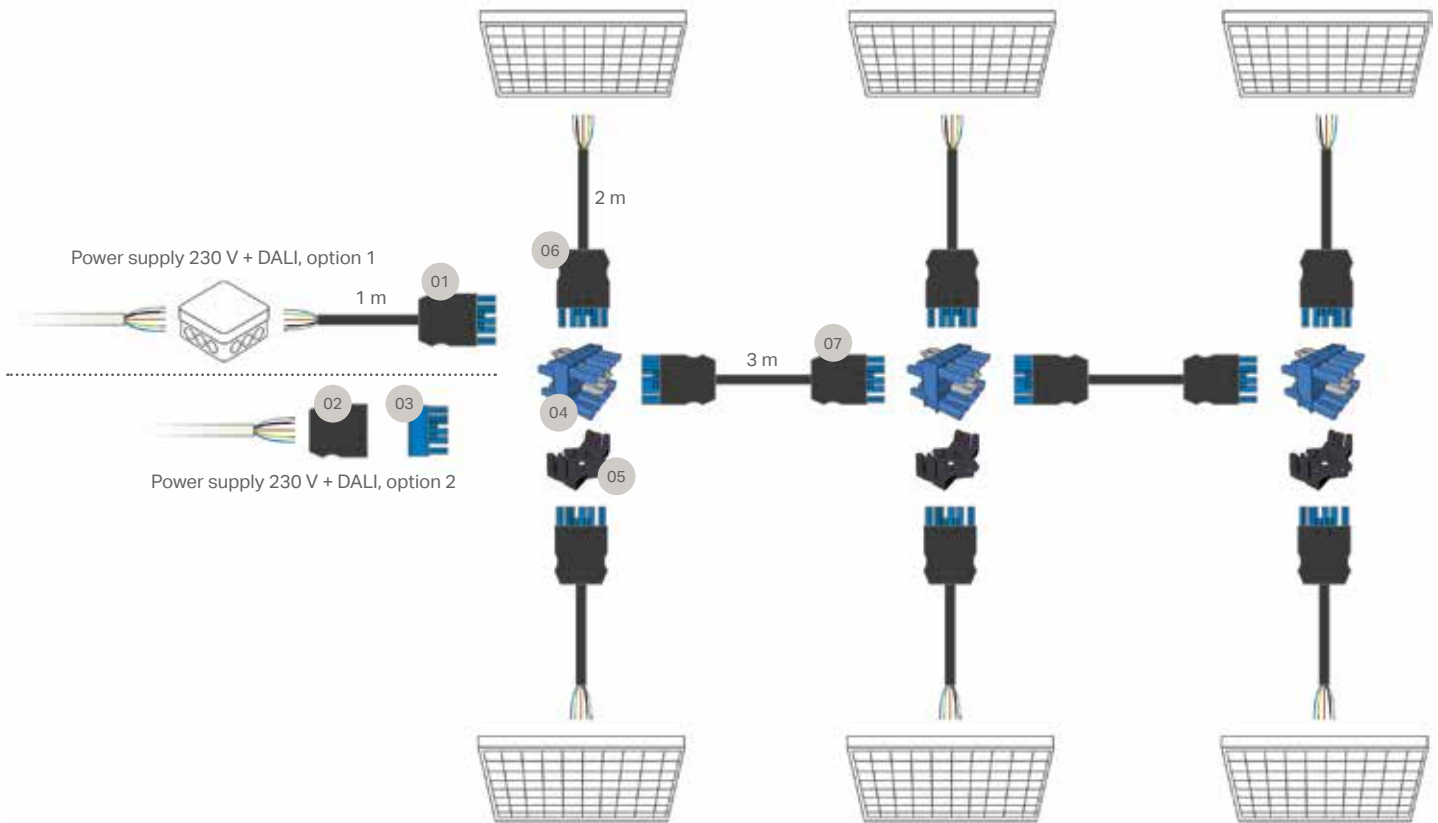
## PARTS LIST FOR CONNECTING 6 DALI LIGHTS

Pos.	Item Number	Quantity	Description
01	771-9985/106-101	1 x	<b>Power supply 230 V + DALI, Option 1</b> Connecting cable, socket – free end, WINSTA® MIDI, 5-pole, I-coding, blue, H05VV-F 5G1.5 cable, 1 m long
02	770-505	1 x	<b>Power supply 230 V + DALI, option 2</b> Strain relief housing for 2 conductors, WINSTA® MIDI, 5-pole, black, for 9 ... 13 mm cable diameter
03	770-1105	1 x	Socket without strain relief housing, WINSTA® MIDI, 5-pole, I-coding, blue
04	770-7105	6 x	<b>Installations</b> Linect® T-distribution connector, WINSTA® MIDI, 5-pole, I-coding I, blue
05	771-9985/006-301	5 x	Interconnecting cable, socket – plug, WINSTA® MIDI, 5-pole, I-coding, blue, H05VV-F 5G1.5 cable, 3 m long

# DALI LIGHTS WITH CONNECTING CABLE

## Advantages:

- Lighting control via DALI bus
- Eliminate time-consuming through-wiring light installations
- Quickly replace defective lights in the operating phase
- A wide range of standard luminaires are available when using connecting cables



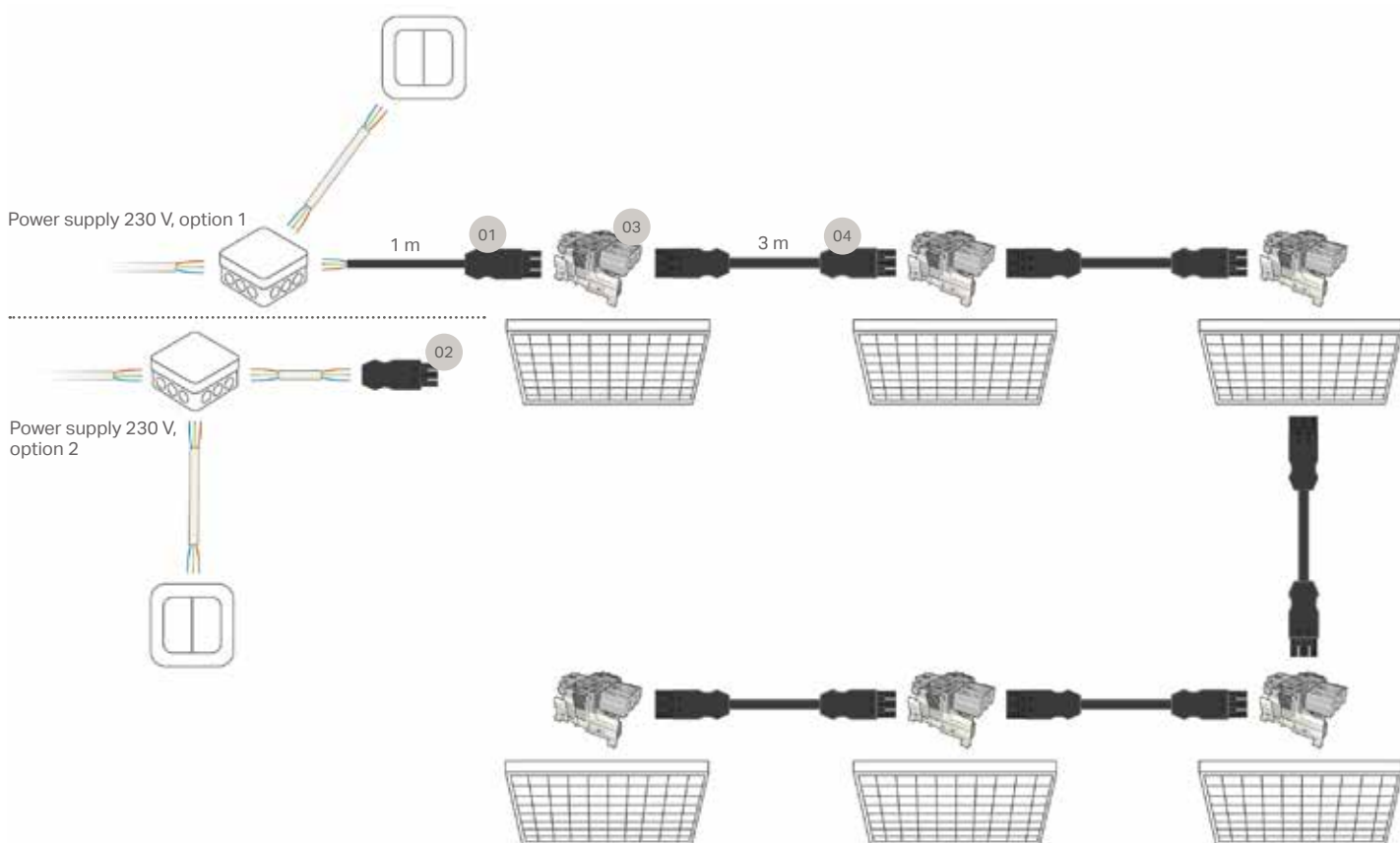
## PARTS LIST FOR CONNECTING 6 DALI LIGHTS

Pos.	Item Number	Quantity	Description
			<b>Power supply 230 V + DALI, Option 1</b>
01	771-9985/106-101	1 x	Connecting cable, socket – free end, WINSTA® MIDI, 5-pole, I-coding, blue, H05VV-F 5G1.5 cable, 1 m long
			<b>Power supply 230 V + DALI, option 2</b>
02	770-505	1 x	Strain relief housing for 2 conductors, WINSTA® MIDI, 5-pole, black, for 9 ... 13 mm cable diameter
03	770-1105	1 x	Socket without strain relief housing, WINSTA® MIDI, 5-pole, I-coding, blue
			<b>Installations</b>
04	770-618	3 x	h-distribution connector, 1 x plug, 3 x socket, WINSTA® MIDI, 5-pole, I-coding I, blue
05	770-625	3 x	Mounting plate for distribution connectors, black
06	771-9985/206-201	6 x	Connecting cable, plug – free end, WINSTA® MIDI, 5-pole, I-coding, blue, H05VV-F 5G1.5 cable, 2 m long
07	771-9985/006-301	2 x	Interconnecting cable, socket – plug, WINSTA® MIDI, 5-pole, I-coding, blue, H05VV-F 5G1.5 cable, 3 m long

# SWITCHED LIGHTING WITH Linect®

## Advantages:

- Eliminate time-consuming through-wiring light installations
- Quickly replace defective lights in the operating phase
- Linect® lights are available at no extra cost from various manufacturers



## PARTS LIST FOR CONNECTING 6 LIGHTS

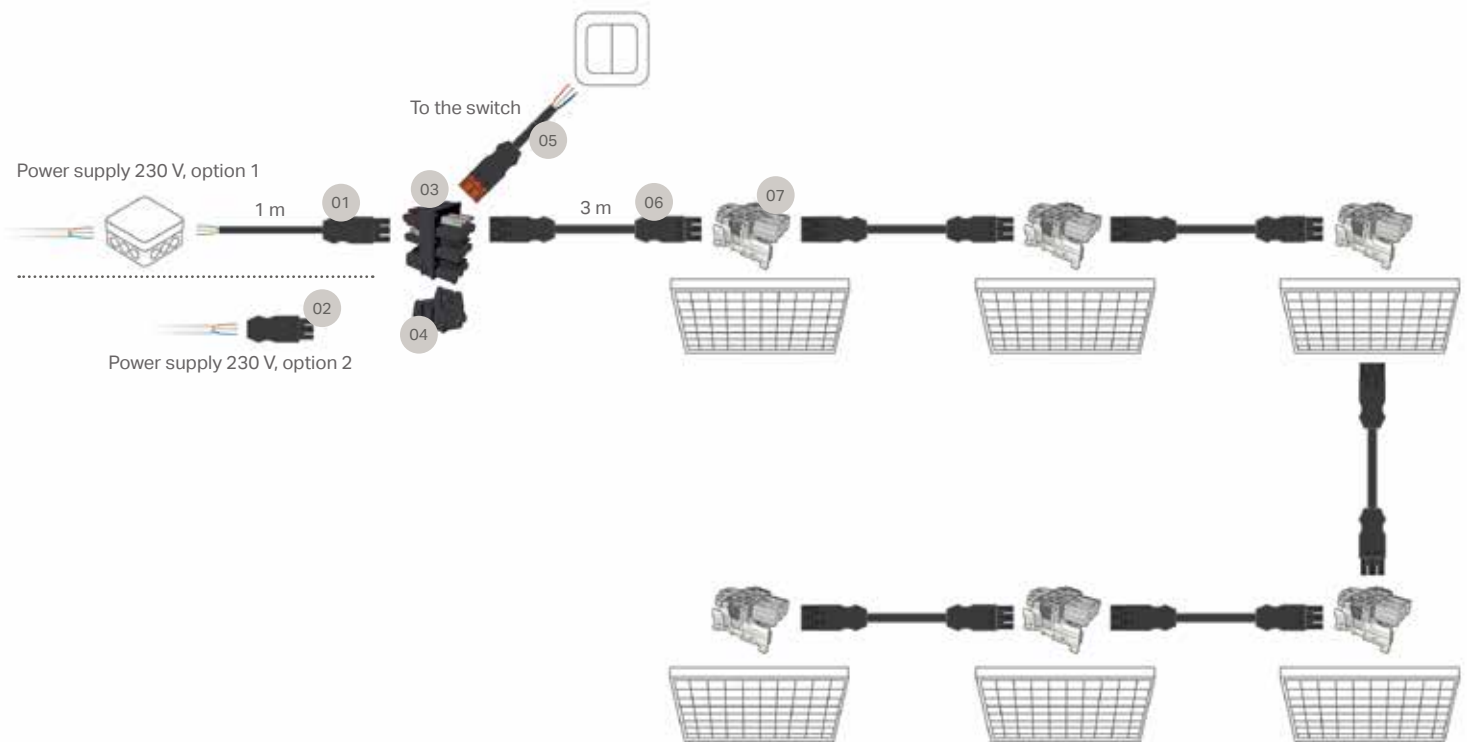
Pos.	Item Number	Quantity	Description
01	771-9993/106-101	1 x	<b>Power supply 230 V, option 1</b> Connecting cable, socket – free end, WINSTA® MIDI, 3-pole, A-coding, black, H05VV-F 3G1.5 cable, 1 m long
02	770-203/035-000	1 x	<b>Power supply 230 V, option 2</b> Socket with strain relief housing, for quick assembly, WINSTA® MIDI, 3-pole, A-coding A, black, for 7 ... 11.5 mm cable diameter
03	770-6223	6 x	<b>Installations</b> Linect® T-distribution connector, WINSTA® MIDI, 3-pole, A-coding, white
04	771-9993/006-301	5 x	Interconnecting cable, socket – plug, WINSTA® MIDI, 3-pole, A-coding, black, H05VV-F 3G1.5 cable, 3 m long



# DISTRIBUTION CONNECTOR FOR SINGLE-POLE SWITCH AND SERIES CIRCUIT AND Linect®

## Advantages:

- Eliminate time-consuming installation of single-pole or series circuits
- Linect® lights are available at no extra cost from various manufacturers



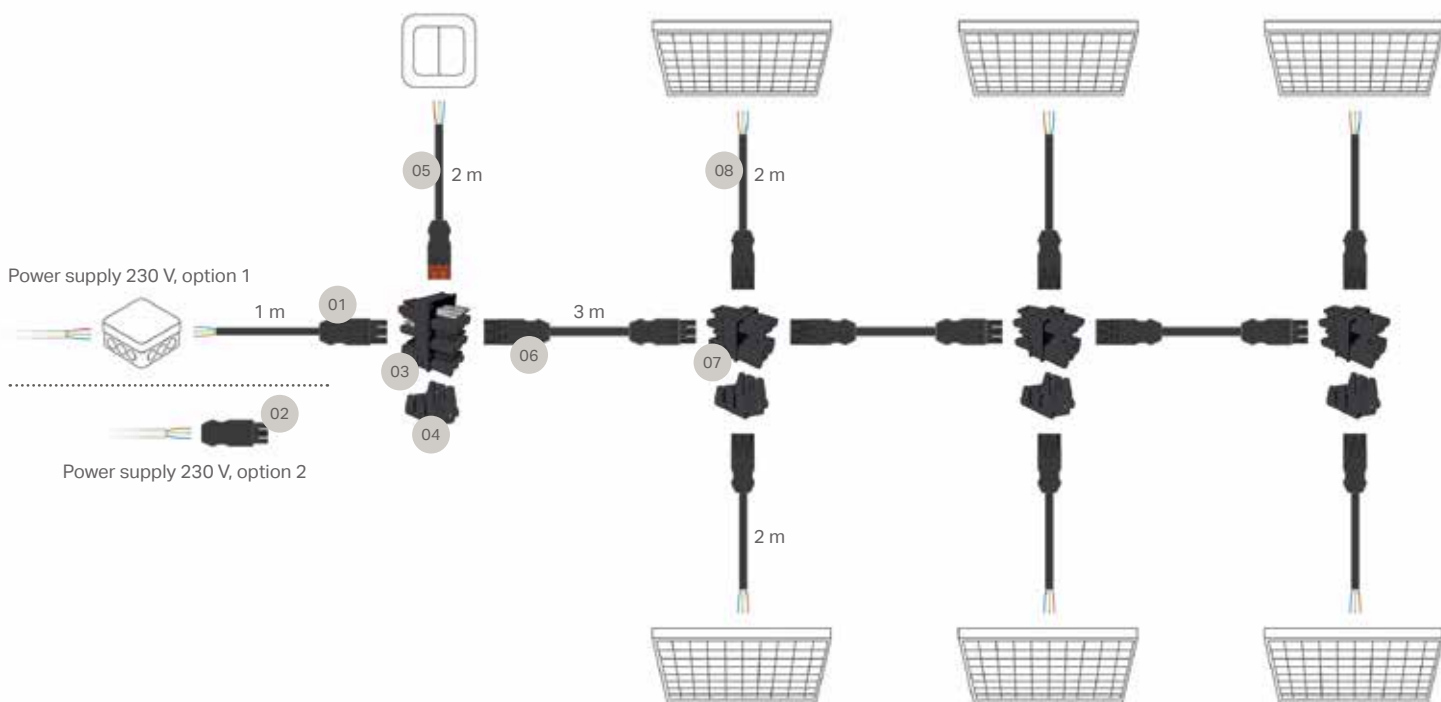
## PARTS LIST FOR CONNECTING 6 LIGHTS

Pos.	Item Number	Quantity	Description
01	771-9993/106-101	1 x	<b>Power supply 230 V, option 1</b> Connecting cable, socket – free end, WINSTA® MIDI, 3-pole, A-coding, black, H05VV-F 3G1.5 cable, 1 m long
02	770-203/035-000	1 x	<b>Power supply 230 V, option 2</b> Socket with strain relief housing, for quick assembly, WINSTA® MIDI, 3-pole, A-coding A, black, for 7 ... 11.5 mm cable diameter
03	770-637	1 x	<b>Installations</b> Distribution connector for single-pole switch and series circuits, black
04	770-623	1 x	Mounting plate for distribution connectors, black
05	771-9973/206-205	1 x	Connecting cable, plug – free end, WINSTA® MIDI, 3-pole, S-coding, brown, H05VV-F 3x1.5 cable, 2 m long
06	771-9993/006-301	5 x	Interconnecting cable, socket – plug, WINSTA® MIDI, 3-pole, A-coding, black, H05VV-F 3G1.5 cable, 3 m long
07	770-6223	6 x	Linect® T-distribution connector, WINSTA® MIDI, 3-pole, A-coding, white

# DISTRIBUTION CONNECTOR FOR SINGLE-POLE SWITCH AND SERIES CIRCUIT

## Advantages:

- Eliminate time-consuming installation of single-pole or series circuits
- Wide range of standard luminaires available for connecting cables



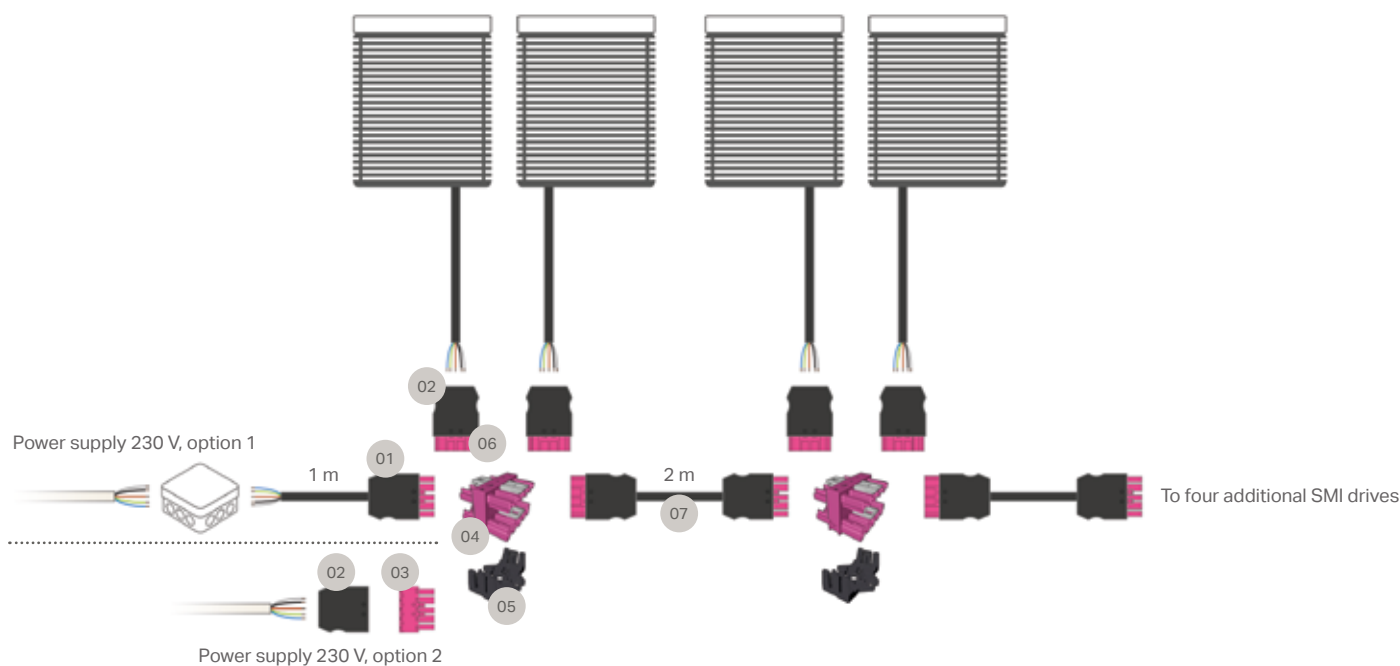
## PARTS LIST FOR CONNECTING 6 LIGHTS

Pos.	Item Number	Quantity	Description
01	771-9993/106-101	1 x	<b>Power supply 230 V, option 1</b> Connecting cable, socket – free end, WINSTA® MIDI, 3-pole, A-coding, black, H05VV-F 3G1.5 cable, 1 m long
02	770-203/035-000	1 x	<b>Power supply 230 V, option 2</b> Socket with strain relief housing, for quick assembly, WINSTA® MIDI, 3-pole, A-coding, black, for 7 ... 11.5 mm cable diameter
03	770-637	1 x	<b>Installations</b> Distribution connector for single-pole switch and series circuits, black
04	770-623	4 x	Mounting plate for distribution connectors, black
05	771-9973/206-205	1 x	Connecting cable, plug – free end, WINSTA® MIDI, 3-pole, S-coding, brown, H05VV-F 3x1.5 cable, 2 m long
06	771-9993/006-301	3 x	Interconnecting cable, socket – plug, WINSTA® MIDI, 3-pole, A-coding, black, H05VV-F 3G1.5 cable, 3 m long
07	770-607	3 x	Distribution connector, 3-way, 1 x plug/3 x socket, WINSTA® MIDI, 3-pole, A-coding, black
08	771-9993/206-201	6 x	Connecting cable, plug – free end, WINSTA® MIDI, 3-pole, A-coding, black, H05VV-F 3G1.5 cable, 3 m long

# SMI SUNSHADE MOTORS

## Advantages:

- Shading control via SMI connection
- Easily control interfaces between building systems (blinds and electrical devices) within a project



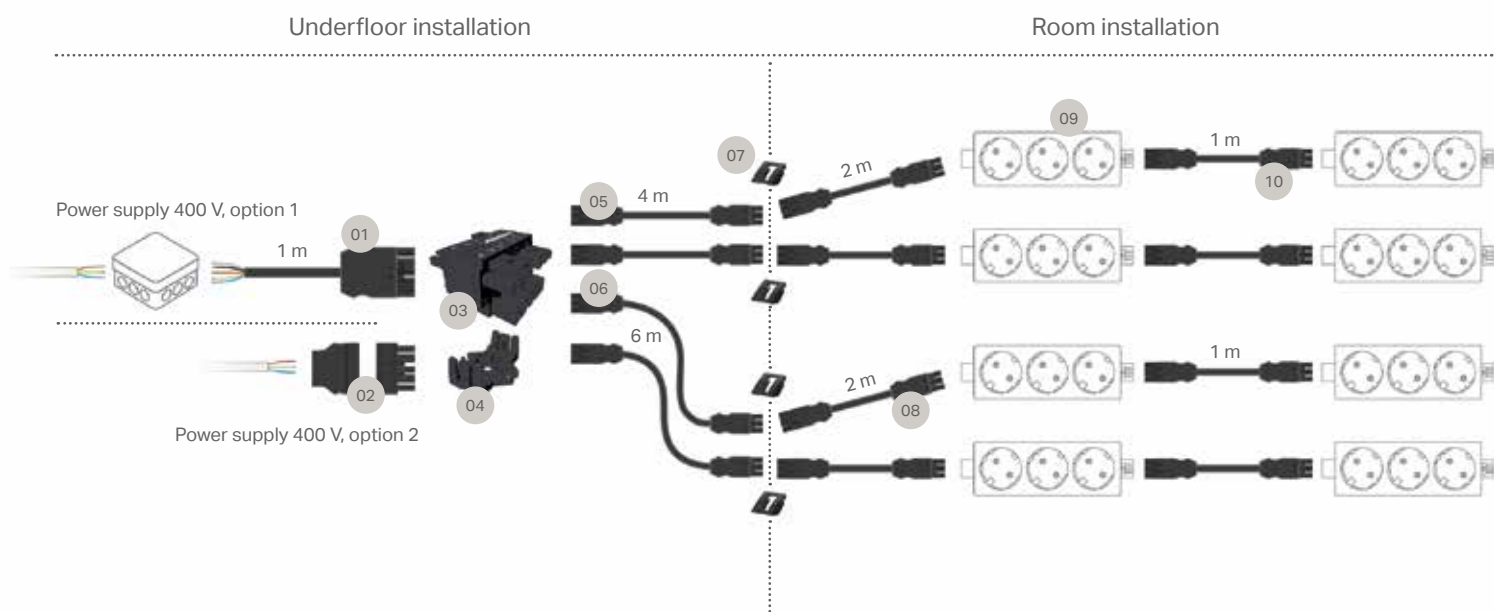
## PARTS LIST FOR CONNECTING 8 SMI BLIND DRIVES

Pos.	Item Number	Quantity	Description
01	771-9935/106-107/080-000	1 x	<b>Power supply 230 V + SMI, option 1</b> Connecting cable, socket – free end, WINSTA® MIDI, 5-pole, B-coding, pink, H05VV-F 5G1.5 cable, 1 m long, with special marking L N PE I+ I
02	770-505	1 x	<b>Power supply 230 V + SMI, option 2</b> Strain relief housing for 2 conductors, WINSTA® MIDI, 5-pole, black, for 9 ... 13 mm cable diameter
03	770-285/080-000	1 x	Socket without strain relief housing, WINSTA® MIDI, 5-pole, B-coding, pink, with special marking L N PE I+ I-
04	770-505	8 x	<b>Installations</b> Strain relief housing for 2 conductors, WINSTA® MIDI, 5-pole, black, for 9 ... 13 mm cable diameter
05	770-1746/080-000	4 x	Distribution connector, 3-way, 1 x plug/3 x socket, WINSTA® MIDI, 5-pole, B-coding, pink, with special marking L N PE I+ I-
06	770-625	8 x	Mounting plate for distribution connectors, black
07	770-295/080-000	8 x	Plug without strain relief housing, WINSTA® MIDI, 5-pole, B-coding, pink, with special marking L N PE I+ I-
08	771-9935/006-207/080-000	3 x	Interconnecting cable, socket – plug, WINSTA® MIDI, 5-pole, B-coding, pink, H05VV-F 5G1.5 cable, 2 m long, with special marking L N PE I+ I

# POWER SUPPLY FOR WORKSTATIONS

## Advantages:

- Significantly higher workplace equipment flexibility compared to permanently installed installation systems
- Symmetric phase loads via cable outlet with phase selection
- Avoid unnecessary cable bundles at the workplace via structured installations



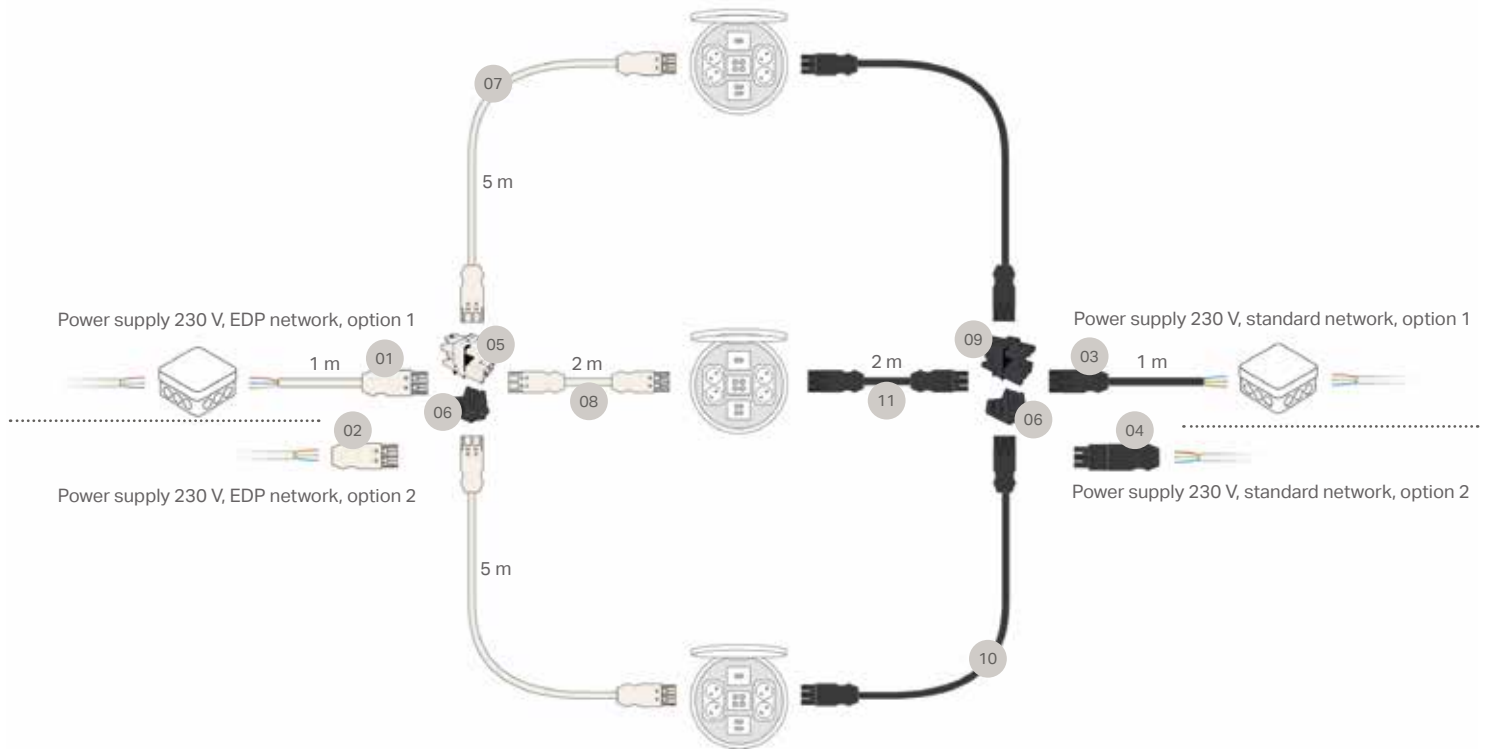
## PARTS LIST FOR CONNECTING 4 WORKSTATIONS

Pos.	Item Number	Quantity	Description
01	771-9995/106-101	1 x	<b>Power supply 400 V, option 1</b> Connecting cable, socket – free end, WINSTA® MIDI, 5-pole, A-coding, black, H05VV-F 5G1.5 cable, 1 m long
02	770-105	1 x	<b>Power supply 400 V, option 2</b> Socket with strain relief housing, WINSTA® MIDI, 5-pole, A-coding, black, for 9 ... 13 mm cable diameter
03	770-640	1 x	<b>Installations</b> Three-phase to single-phase distribution connector, with phase selection, WINSTA® MIDI, 5- to 3-pole, A-coding, black
04	770-625	1 x	Mounting plate for distribution connectors, black
05	771-9993/006-401	2 x	Interconnecting cable, socket – plug, WINSTA® MIDI, 3-pole, A-coding, black, H05VV-F 3G1.5 cable, 4 m long
06	771-9993/006-601	2 x	Interconnecting cable, socket – plug, WINSTA® MIDI, 3-pole, A-coding, black, H05VV-F 3G1.5 cable, 6 m long
07	770-111	4 x	Locking lever for flying leads, black, tool operated
08	771-9993/006-201	4 x	Interconnecting cable, socket – plug, WINSTA® MIDI, 3-pole, A-coding, black, H05VV-F 3G1.5 cable, 2 m long
09	8006-0099/K000-0010	8 x	3-way EVOline Express Power Strip, type 910, black, with touch-proof protection
10	771-9993/006-101	4 x	Interconnecting cable, socket – plug, WINSTA® MIDI, 3-pole, A-coding, black, H05VV-F 3G1.5 cable, 1 m long

# FLOOR BOXES FOR NORMAL NETWORK AND EDP NETWORK

## Advantages:

- Easy cable connection when installing the mounting boxes saves time
- Easily replace defective sockets and minimize downtimes during operation



## PARTS LIST FOR CONNECTING 3 RAISED-FLOOR BOXES

Pos.	Item Number	Quantity	Description
<b>Power supply 230 V, EDP + standard network, option 1</b>			
01	771-9993/106-102	1 x	Connecting cable, socket – free end, WINSTA® MIDI, 3-pole, A-coding, white, H05VV-F 3G1.5 cable, 1 m long
02	771-9993/106-101	1 x	Connecting cable, socket – free end, WINSTA® MIDI, 3-pole, A-coding, black, H05VV-F 3G1.5 cable, 1 m long
<b>Power supply 230 V, EDP + standard network, option 2</b>			
03	770-223/035-050	1 x	Socket with strain relief housing, for quick assembly, WINSTA® MIDI, 3-pole, A-coding, white, for 7 ... 11.5 mm cable diameter
04	770-203/035-000	1 x	Socket with strain relief housing, for quick assembly, WINSTA® MIDI, 3-pole, A-coding, black, for 7 ... 11.5 mm cable diameter
<b>Installations</b>			
05	770-657	1 x	Distribution connector, 3-way, 1 x plug/3 x socket, WINSTA® MIDI, 3-pole, A-coding, white
06	770-623	2 x	Mounting plate for distribution connectors, black
07	771-9993/006-502	2 x	Interconnecting cable, socket – plug, WINSTA® MIDI, 3-pole, A-coding, white, H05VV-F 3G1.5 cable, 5 m long
08	771-9993/006-202	1 x	Interconnecting cable, socket – plug, WINSTA® MIDI, 3-pole, A-coding, white, H05VV-F 3G1.5 cable, 2 m long
09	770-607	1 x	Distribution connector, 3-way, 1 x plug/3 x socket, WINSTA® MIDI, 3-pole, A-coding, black
10	771-9993/006-501	2 x	Interconnecting cable, socket – plug, WINSTA® MIDI, 3-pole, A-coding, black, H05VV-F 3G1.5 cable, 5 m long
11	771-9993/006-201	1 x	Interconnecting cable, socket – plug, WINSTA® MIDI, 3-pole, A-coding, black, H05VV-F 3G1.5 cable, 2 m long

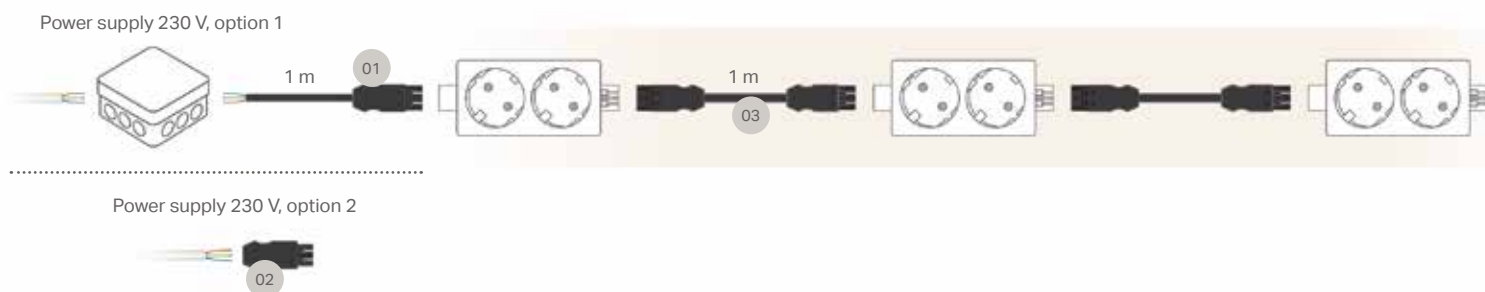


# POWER SUPPLY IN CABLE DUCTS

## 230 V POWER SUPPLY

### Advantages:

- Easy plug-in installation in narrow cable ducts
- System socket installation – faster than wiring mounting boxes with conventional sockets



### PARTS LIST FOR CONNECTING 3 DOUBLE SOCKETS

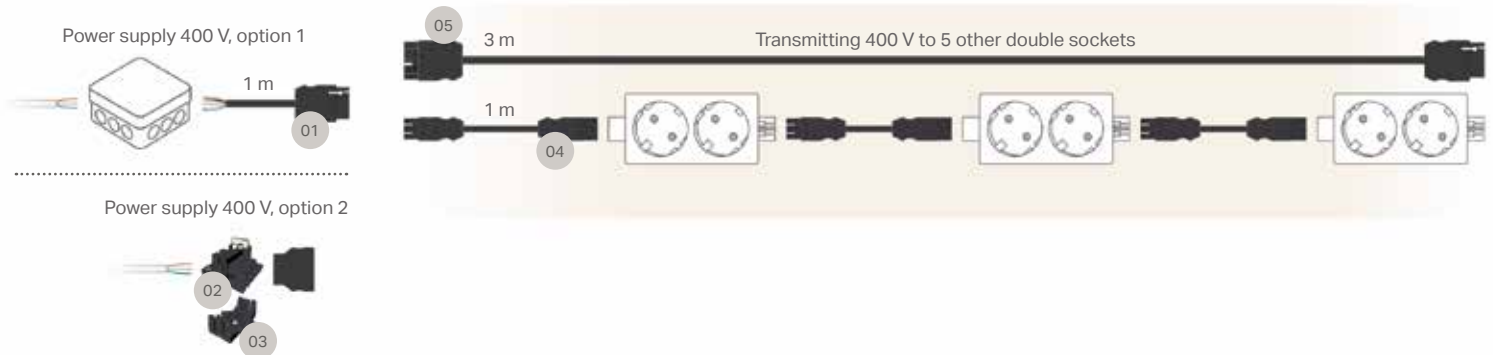
Pos.	Item Number	Quantity	Description
01	771-9993/106-101	1 x	<b>Power supply 230 V, option 1</b> Connecting cable, socket – free end, WINSTA® MIDI, 3-pole, A-coding, black, H05VV-F 3G1.5 cable, 1 m long
02	770-203/035-000	1 x	<b>Power supply 230 V, option 2</b> Socket with strain relief housing, for quick assembly, WINSTA® MIDI, 3-pole, A-coding A, black, for 7 ... 11.5 mm cable diameter
03	771-9993/006-101	2 x	<b>Installations</b> Interconnecting cable, socket – plug, WINSTA® MIDI, 3-pole, A-coding, black, H05VV-F 3G1.5 cable, 1 m long

# POWER SUPPLY IN CABLE DUCTS

## 400 V POWER SUPPLY

### Advantages:

- Easy plug-in installation in narrow cable ducts
- System socket installation – faster than wiring mounting boxes with conventional sockets
- Flexible phase selection for symmetric network load



### PARTS LIST FOR CONNECTING 9 DOUBLE SOCKETS

Pos.	Item Number	Quantity	Description
			<b>Power supply 400 V, option 1</b>
01	771-8965/107-101	1 x	Connecting cable, distribution connector with phase selection – free end, PVC, WINSTA® MIDI, 5- to 3-pole, A-coding, black, H05VV-F 5G2.5 cable, 1 m long
			<b>Power supply 400 V, option 2</b>
02	770-611	1 x	Distribution connector with phase selection, WINSTA® MIDI, 5- to 3-pole, A-coding, black, with strain relief housing, for 9 ... 13 mm cable diameter
03	770-625	1 x	Mounting plate for distribution connectors, black
			<b>Installations</b>
04	771-9993/006-101	9 x	Interconnecting cable, socket – plug, WINSTA® MIDI, 3-pole, A-coding, black, H05VV-F 3G1.5 cable, 1 m long
05	771-8965/007-301	3 x	Interconnecting cable, distribution connector with phase selection – plug, WINSTA® MIDI, 5- to 3-pole, A-coding, black, H05VV-F 5G2.5 cable, 6 m long



## WAGO SERVICES

### Technical Support

WAGO's technical support staff is ready to assist all customers with advice and guidance – from selecting the right product, through telephone support during commissioning, all the way up to on-site troubleshooting. Customers directly benefit from knowledgeable WAGO experts who dramatically expedite project implementation.

#### WAGO provides advice and support with:

- Product selection
- Product commissioning and all technical questions about WAGO products and solutions

#### Planning and project design:

- Conceptual design
- Network planning
- Application design
- Component selection
- Quote generation

#### WAGO helps customers with:

- Advice from experts with years of experience in planning construction projects
- Customizing solutions to ensure the technical and financial success of large projects (individual design of distribution connectors and functional boxes)

### Contact Technical Support:

Phone: +49 (571) 887-44555

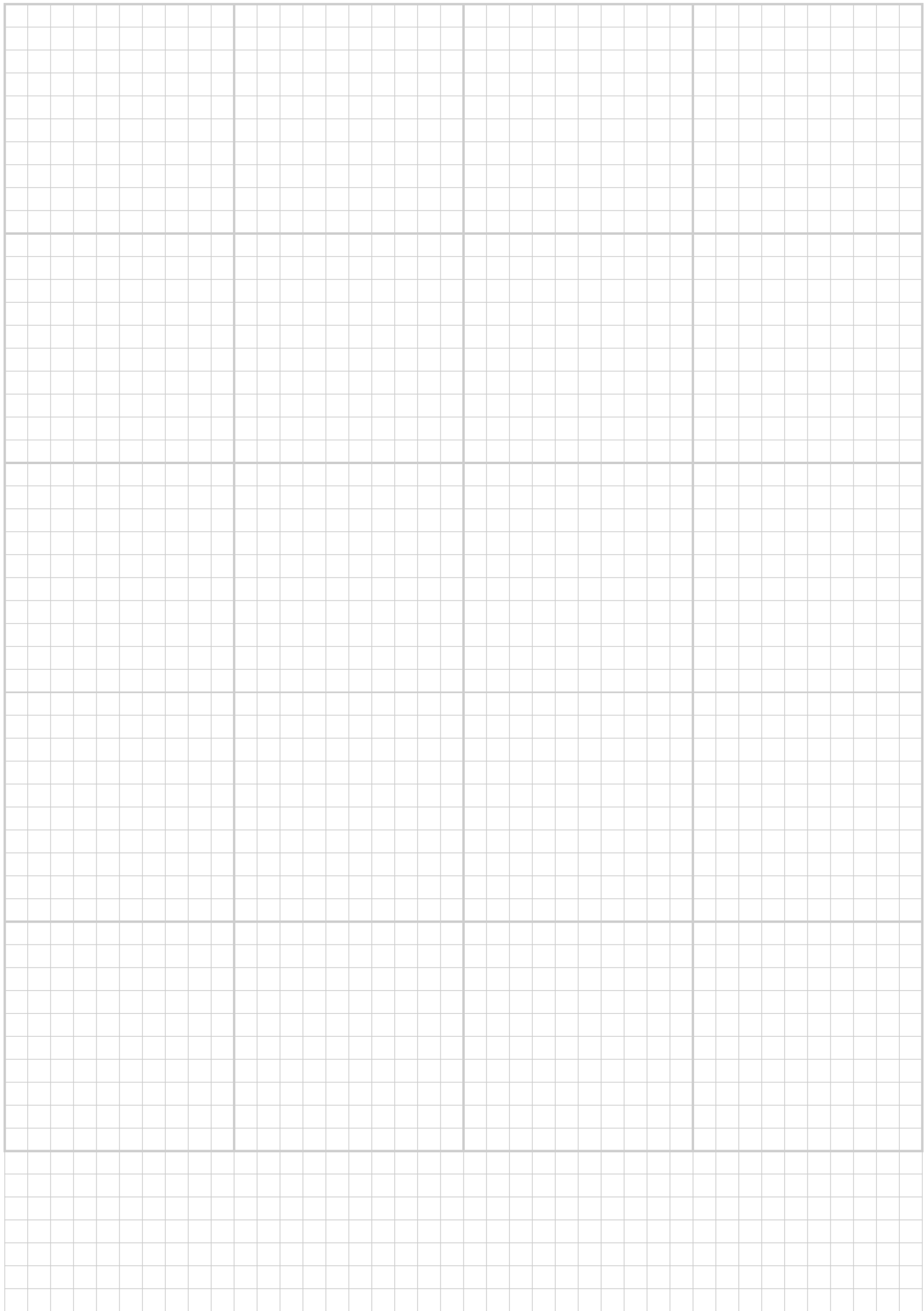
Email: [support.de@wago.com](mailto:support.de@wago.com)

Online: [www.wago.com/de/contact](http://www.wago.com/de/contact) 









**WAGO Kontakttechnik GmbH & Co. KG**

Postfach 2880 · 32385 Minden  
Hansastraße 27 · 32423 Minden  
[info@wago.com](mailto:info@wago.com)  
[www.wago.com](http://www.wago.com)

Headquarters	+49 571/ 887 - 0
Sales	+49 571/ 887 - 222
Orders	+49 571/ 887 - 44 333
Fax	+49 571/ 887 - 844 169

WAGO is a registered trademark of WAGO Verwaltungsgesellschaft mbH. Cover image: Getty Images/Westend61

“Copyright – WAGO Kontakttechnik GmbH & Co. KG – All rights reserved. The content and structure of the WAGO websites, catalogs, videos and other WAGO media are subject to copyright. Distribution or modification to the contents of these pages and videos is prohibited. Furthermore, the content may neither be copied nor made available to third parties for commercial purposes. Also subject to copyright are the images and videos that were made available to WAGO Kontakttechnik GmbH & Co. KG by third parties.”