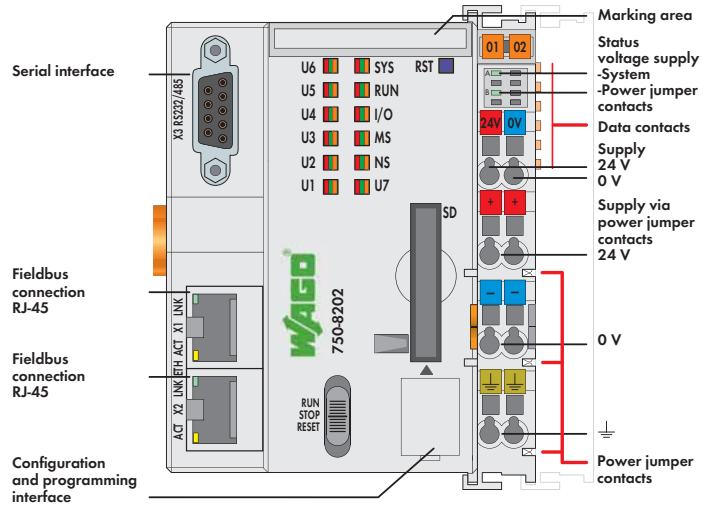



PLC – PFC200 Controller

PFC200 CS 2ETH RS

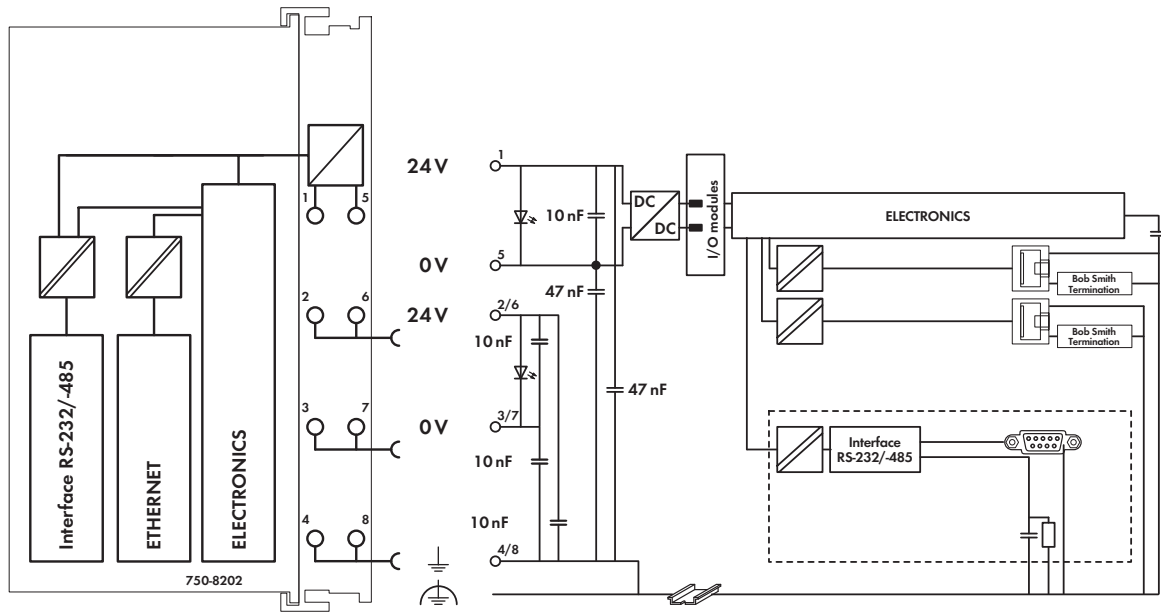


The PFC200 Controller is a compact PLC for the modular WAGO-I/O-SYSTEM. Besides network and fieldbus interfaces, the controller supports all digital, analog and specialty modules found within the 750/753 Series. Two ETHERNET interfaces and integrated switch enable line topology wiring. An integrated Web server provides the user with configuration options and status information from the PFC200. Besides the processing industry and building automation, typical markets for the PFC200 include the standard machine and plant industries (e.g., packaging, bottling, textiles, production and metal & wood processing).

- Programmable to IEC 61131-3
- Programmable via WAGO-I/O-PRO V2.3
- Direct connection of WAGO I/O modules
- 2 x ETHERNET (switched), RS-232/-485
- Linux 3.6 operating system with RT-Preemption patch
- Configuration via CODESYS or Web-based management interface
- Maintenance-free

Description	Item No.	Pack. Unit
PFC200 CS 2ETH RS	750-8202	1
PFC200 CS 2ETH RS Telecontrol/T	750-8202/025-001	1
Extended temperature range: -20 °C ... +60 °C		
PFC200 CS 2ETH RS Telecontrol ECO/T	750-8202/025-002	1
Extended temperature range: -20 °C ... +60 °C		
Accessories	Item No.	Pack. Unit
WAGO-I/O-PRO V2.3, RS-232 kit	759-333	1
SD memory card, 1 GB	758-879/000-001	1
Miniature WSB Quick marking system		
 plain	248-501	5
with marking	see Full Line Catalog AUTOMATION 2012/2013	
Approvals		
Conformity marking	CE	
Shipbuilding	GL, pending	
UL 508	pending	

System Data	
CPU	Cortex A8, 600 MHz
Operating system	Real-time Linux 3.6 (with RT-Preemption patch)
Main memory (RAM)	256 Mbytes
Internal memory (flash)	256 Mbytes
Retain memory	128 Kbytes
ETHERNET	2 x RJ-45 (switched)
Transmission medium	Twisted Pair S-UTP
	100 Ω, Cat 5;
	Max. line length: 100 m
Baud rate	10/100 Mbit/s; 10Base-T/100Base-TX
Interface (serial)	RS-232/-485 (switchable)
Protocols	DHCP, DNS, NTP, FTP, FTPS, SNMP, HTTP, HTTPS, SSH, MODBUS (TCP, UDP, RTU)
	750-8202/025-001 and -002
	IEC 60870-5-101/-103/-104, IEC 61850-7-4, IEC 61400-25
Programming	WAGO-I/O-PRO V2.3
IEC 61131-3	IL, LD, FBD, ST, FC
SD card slot	Push-push mechanism, sealable cover lid
Type of memory card	SD and SDHC up to 32 GB (All guaranteed properties are only valid in connection with the WAGO 758-879/000-001 memory card.)



Technical Data

Number of I/O modules (per node)	64
with bus extension	250
750-8202/025-002	4
Input and output process image (max.)	
Internal data bus	1000 words
MODBUS	1000 words
PROFIBUS	244 bytes in 80 slots
CAN	2000 words
I/O interfaces (serial)	1 x serial interface per TIA/EIA 232 and TIA/EIA 485 (switchable), 9-pole D-sub female connector
Diagnostic LEDs	Power supply; SYS; RUN; FIELDBUS (MS, NS); USER (U1 ... U7);
User LEDs	Internal data bus via CODESYS library
Program memory	16 MB
Data memory	64 MB
Non-volatile memory (retain)	128 Kbytes
Power supply	24 V DC (-25 % ... +30 %)
Max. input current (24 V)	550 mA
Total current for I/O modules (5 V)	1700 mA
Isolation	500 V system/supply

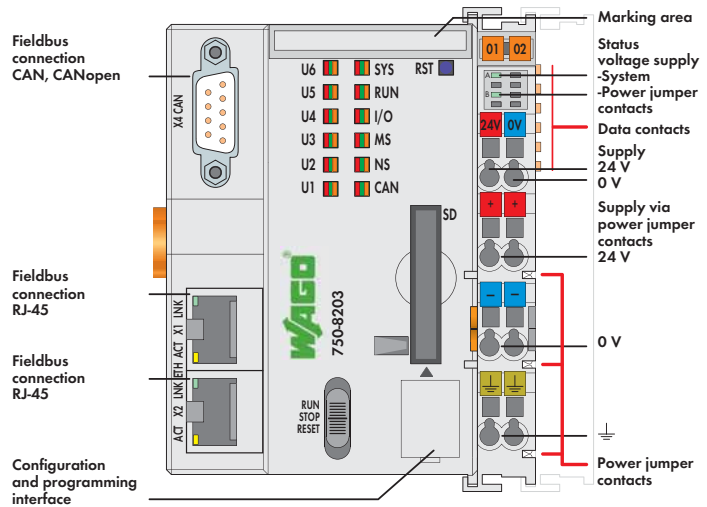
General Specifications

Dimensions (mm) W x H x L	79 x 65 x 100
	Height from upper-edge of DIN 35 rail
Weight	210 g
EMC: CE - immunity to interference	acc. to EN 61000-6-2 (2005)
EMC: CE - emission of interference	acc. to EN 61000-6-2 (2005)
EMC: marine applications	
- immunity to interference	pending
EMC: marine applications	
- emission of interference	pending
Degree of protection	IP20 acc. to DIN 60529
Type of mounting	DIN 35 rail
Housing material	PC
Ambient conditions	
Operating temperature	0 °C ... +55 °C
Storage temperature	-10 °C ... +85 °C
Relative air humidity (no condensation)	95 %
Altitude	
Operation	0 m ... 2000 m
Storage/transit	0 m ... 3000 m
Wire connection	CAGE CLAMP®
Cross sections	0.08 mm ² ... 2.5 mm ² / AWG 28 ... 14
Strip lengths	8 ... 9 mm / 0.33 in

PLC – PFC200 Controller

PFC200 CS 2ETH CAN

AUTOMATION

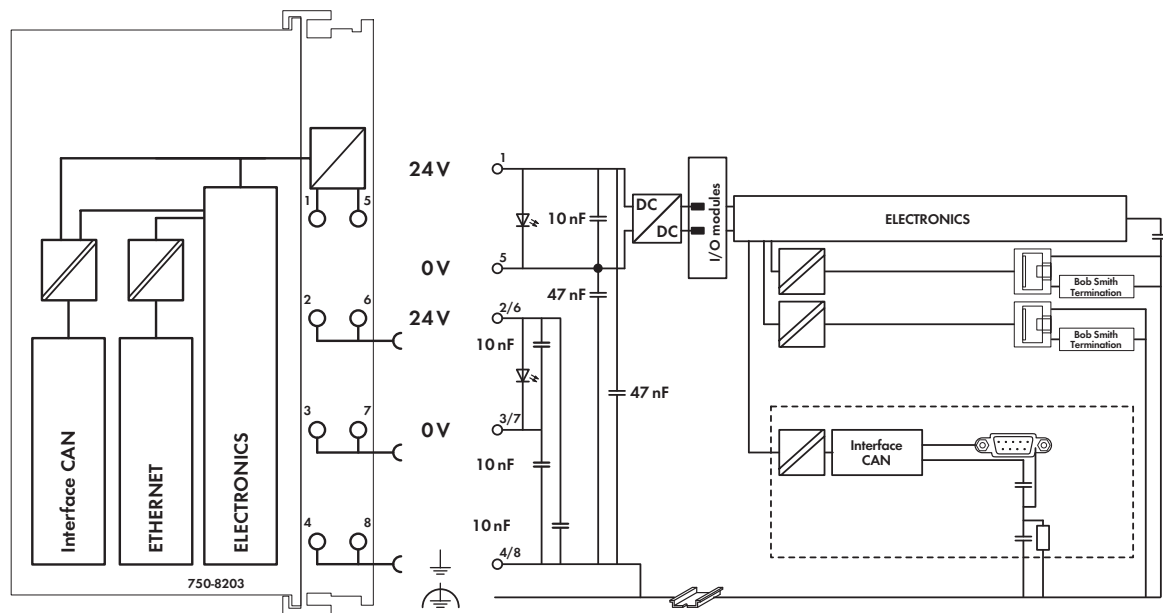


The PFC200 Controller is a compact PLC for the modular WAGO-I/O-SYSTEM. Besides network and fieldbus interfaces, the controller supports all digital, analog and specialty modules found within the 750/753 Series. Two ETHERNET interfaces and integrated switch enable line topology wiring. An integrated Web server provides the user with configuration options and status information from the PFC200. Besides the processing industry and building automation, typical markets for the PFC200 include the standard machine and plant industries (e.g., packaging, bottling, textiles, production and metal & wood processing).

- Programmable to IEC 61131-3
- Programmable via WAGO-I/O-PRO V2.3
- Direct connection of WAGO I/O modules
- 2 x ETHERNET (switched), CAN, CANopen
- Linux 3.6 operating system with RT-Preemption patch
- Configuration via CODESYS or Web-based management interface
- Maintenance-free

Description	Item No.	Pack. Unit
PFC200 CS 2ETH CAN	750-8203	1
Accessories		
WAGO-I/O-PRO V2.3, RS-232 kit	759-333	1
SD memory card, 1 GB	758-879/000-001	1
Miniature WSB Quick marking system		
plain	248-501	5
with marking	see Full Line Catalog AUTOMATION 2012/2013	
Approvals		
Conformity marking	CE	
Shipbuilding	GL, pending	
UL 508	pending	

System Data	
CPU	Cortex A8, 600 MHz
Operating system	Real-time Linux 3.6 (with RT-Preemption patch)
Main memory (RAM)	256 Mbytes
Internal memory (flash)	256 Mbytes
Retain memory	128 Kbytes
ETHERNET	2 x RJ-45 (switched)
Transmission medium	Twisted Pair S-UTP 100 Ω, Cat 5; Max. line length: 100 m
Baud rate	10/100 Mbit/s; 10Base-T/100Base-TX
Fieldbus	CAN, CANopen
Protocols	DHCP, DNS, NTP, FTP, FTPS, SNMP, HTTP, HTTPS, SSH, MODBUS (TCP, UDP)
Programming	WAGO-I/O-PRO V2.3
IEC 61131-3	IL, LD, FBD, ST, FC
SD card slot	Push-push mechanism, sealable cover lid
Type of memory card	SD and SDHC up to 32 GB (All guaranteed properties are only valid in connection with the WAGO 758-879/000-001 memory card.)



Technical Data

Number of I/O modules (per node)	64
with bus extension	250
Input and output process image (max.)	
Internal data bus	1000 words
MODBUS	1000 words
PROFIBUS	244 bytes in 80 slots
CAN	2000 words
Diagnostic LEDs	Power supply; SYS; RUN; FIELDBUS (CAN, MS, NS); USER (U1 ... U6); Internal data bus
User LEDs	via CODESYS library
Program memory	16 MB
Data memory	64 MB
Non-volatile memory (retain)	128 Kbytes
Power supply	24 V DC (-25 % ... +30 %)
Max. input current (24 V)	550 mA
Total current for I/O modules (5 V)	1700 mA
Isolation	500 V system/supply

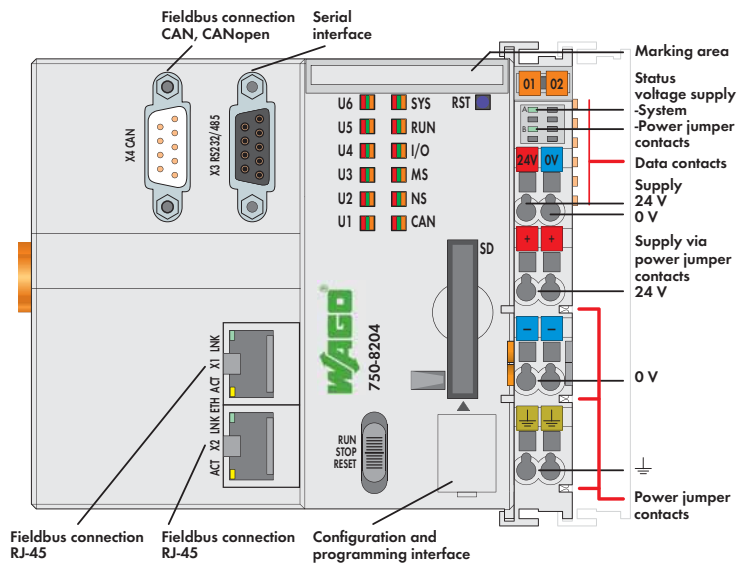
General Specifications

Dimensions (mm) W x H x L	79 x 65 x 100
	Height from upper-edge of DIN 35 rail
Weight	210 g
EMC: CE - immunity to interference	acc. to EN 61000-6-2 (2005)
EMC: CE - emission of interference	acc. to EN 61000-6-2 (2005)
EMC: marine applications	
- immunity to interference	pending
EMC: marine applications	
- emission of interference	pending
Degree of protection	IP20 acc. to DIN 60529
Type of mounting	DIN 35 rail
Housing material	PC
Ambient conditions	
Operating temperature	0 °C ... +55 °C
Storage temperature	-10 °C ... +85 °C
Relative air humidity (no condensation)	95 %
Altitude	
Operation	0 m ... 2000 m
Storage/transit	0 m ... 3000 m
Wire connection	CAGE CLAMP®
Cross sections	0.08 mm ² ... 2.5 mm ² / AWG 28 ... 14
Strip lengths	8 ... 9 mm / 0.33 in

PLC – PFC200 Controller

PFC200 CS 2ETH RS CAN

AUTOMATION

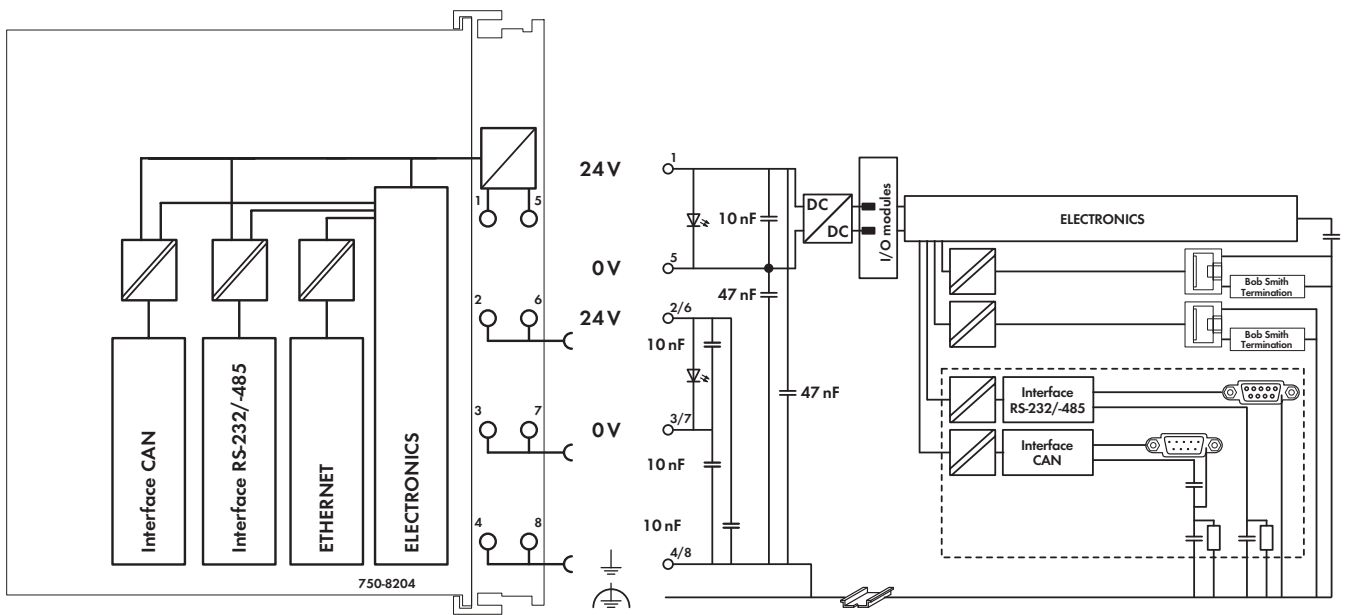


The PFC200 Controller is a compact PLC for the modular WAGO-I/O-SYSTEM. Besides network and fieldbus interfaces, the controller supports all digital, analog and specialty modules found within the 750/753 Series. Two ETHERNET interfaces and integrated switch enable line topology wiring. An integrated Web server provides the user with configuration options and status information from the PFC200. Besides the processing industry and building automation, typical markets for the PFC200 include the standard machine and plant industries (e.g., packaging, bottling, textiles, production and metal & wood processing).

- Programmable to IEC 61131-3
- Programmable via WAGO-I/O-PRO V2.3
- Direct connection of WAGO I/O modules
- 2 x ETHERNET (switched), RS-232/-485, CAN, CANopen
- Linux 3.6 operating system with RT-Preemption patch
- Configuration via CODESYS or Web-based management interface
- Maintenance-free

Description	Item No.	Pack. Unit
PFC200 CS 2ETH RS CAN	750-8204	1
Accessories		
WAGO-I/O-PRO V2.3, RS-232 kit	759-333	1
SD memory card, 1 GB	758-879/000-001	1
Miniature WSB Quick marking system		
plain	248-501	5
with marking	see Full Line Catalog AUTOMATION 2012/2013	
Approvals		
Conformity marking	CE	
Shipbuilding	GL, pending	
UL 508	pending	

System Data	
CPU	Cortex A8, 600 MHz
Operating system	Real-time Linux 3.6 (with RT-Preemption patch)
Main memory (RAM)	256 Mbytes
Internal memory (flash)	256 Mbytes
Retain memory	128 Kbytes
ETHERNET	2 x RJ-45 (switched)
Transmission medium	Twisted Pair S-UTP 100 Ω, Cat 5; Max. line length: 100 m
Baud rate	10/100 Mbit/s; 10Base-T/100Base-TX
Interface (serial)	RS-232/-485 (switchable)
Fieldbus	CAN, CANopen
Protocols	DHCP, DNS, NTP, FTP, FTPS, SNMP, HTTP, HTTPS, SSH, MODBUS (TCP, UDP, RTU)
Programming	WAGO-I/O-PRO V2.3
IEC 61131-3	IL, LD, FBD, ST, FC
SD card slot	Push-push mechanism, sealable cover lid
Type of memory card	SD and SDHC up to 32 GB (All guaranteed properties are only valid in connection with the WAGO 758-879/000-001 memory card.)



Technical Data

Number of I/O modules (per node)	64
with bus extension	250
Input and output process image (max.)	
Internal data bus	1000 words
MODBUS	1000 words
PROFIBUS	244 bytes in 80 slots
CAN	2000 words
I/O interfaces (serial)	1 x serial interface per TIA/EIA 232 and TIA/EIA 485 (switchable), 9-pole D-sub female connector
Diagnostic LEDs	Power supply; SYS; RUN; FIELDBUS (MS, NS, CAN); USER (U1 ... U6); Internal data bus
User LEDs	via CODESYS library
Program memory	16 MB
Data memory	64 MB
Non-volatile memory (retain)	128 Kbytes
Power supply	24 V DC (-25 % ... +30 %)
Max. input current (24 V)	550 mA
Total current for I/O modules (5 V)	1700 mA
Isolation	500 V system/supply

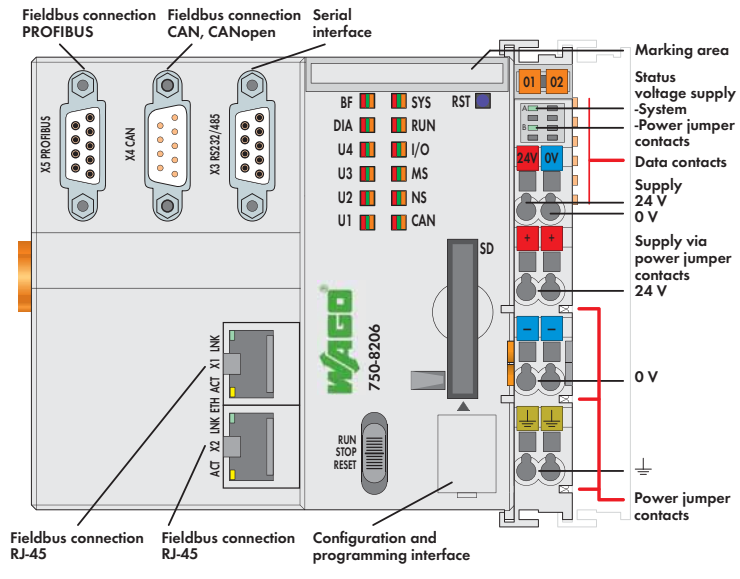
General Specifications

Dimensions (mm) W x H x L	112 x 65 x 100
	Height from upper-edge of DIN 35 rail
Weight	250 g
EMC: CE - immunity to interference	acc. to EN 61000-6-2 (2005)
EMC: CE - emission of interference	acc. to EN 61000-6-2 (2005)
EMC: marine applications	
- immunity to interference	pending
EMC: marine applications	
- emission of interference	pending
Degree of protection	IP20 acc. to DIN 60529
Type of mounting	DIN 35 rail
Housing material	PC
Ambient conditions	
Operating temperature	0 °C ... +55 °C
Storage temperature	-10 °C ... +85 °C
Relative air humidity (no condensation)	95 %
Altitude	
Operation	0 m ... 2000 m
Storage/transit	0 m ... 3000 m
Wire connection	CAGE CLAMP®
Cross sections	0.08 mm ² ... 2.5 mm ² / AWG 28 ... 14
Strip lengths	8 ... 9 mm / 0.33 in

PLC – PFC200 Controller

PFC200 CS 2ETH RS CAN DPS

AUTOMATION

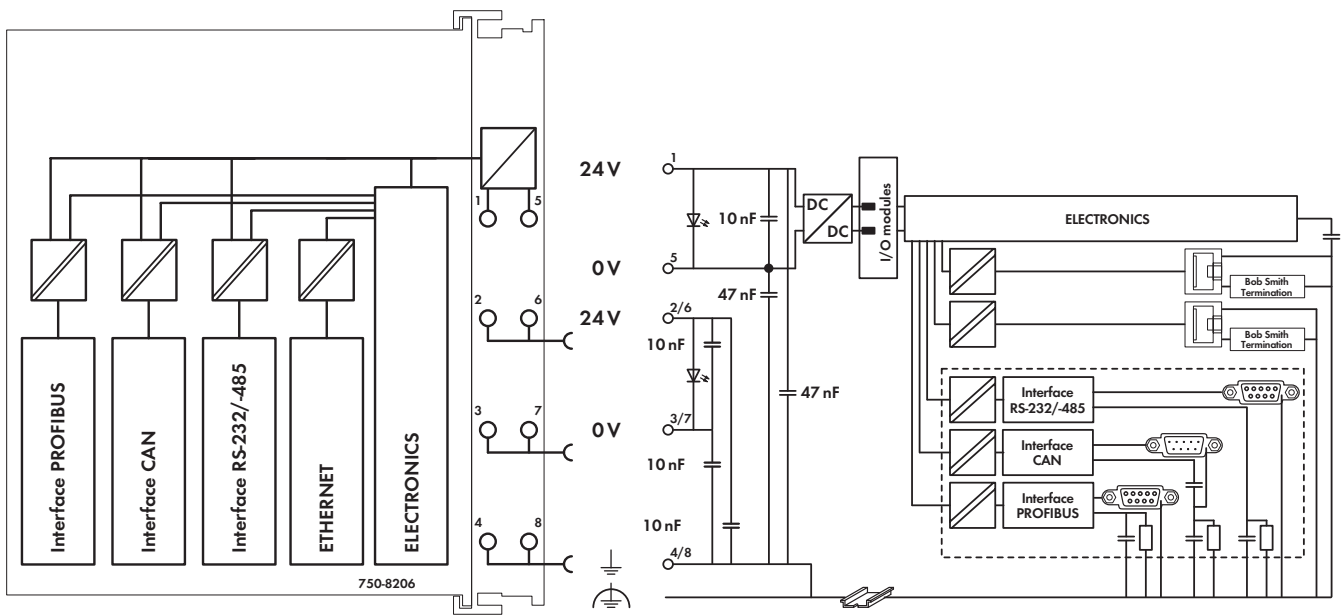


The PFC200 Controller is a compact PLC for the modular WAGO-I/O-SYSTEM. Besides network and fieldbus interfaces, the controller supports all digital, analog and specialty modules found within the 750/753 Series. Two ETHERNET interfaces and integrated switch enable line topology wiring. An integrated Web server provides the user with configuration options and status information from the PFC200. Besides the processing industry and building automation, typical markets for the PFC200 include the standard machine and plant industries (e.g., packaging, bottling, textiles, production and metal & wood processing).

- Programmable to IEC 61131-3
- Programmable via WAGO-I/O-PRO V2.3
 - Direct connection of WAGO I/O modules
 - 2 x ETHERNET (switched), RS-232/-485, CAN, CANopen, PROFIBUS DP Slave
 - Linux 3.6 operating system with RT-Preemption patch
 - Configuration via CODESYS or Web-based management interface
 - Maintenance-free

Description	Item No.	Pack. Unit
PFC200 CS 2ETH RS CAN DPS	750-8206	1
Accessories		
WAGO-I/O-PRO V2.3, RS-232 kit	759-333	1
SD memory card, 1 GB	758-879/000-001	1
Miniature WSB Quick marking system		
plain	248-501	5
with marking	see Full Line Catalog AUTOMATION 2012/2013	
Approvals		
Conformity marking	CE	
Shipbuilding	GL, pending	
UL 508	pending	

System Data	
CPU	Cortex A8, 600 MHz
Operating system	Real-time Linux 3.6 (with RT-Preemption patch)
Main memory (RAM)	256 Mbytes
Internal memory (flash)	256 Mbytes
Retain memory	128 Kbytes
ETHERNET	2 x RJ-45 (switched)
Transmission medium	Twisted Pair S-UTP 100 Ω, Cat 5; Max. line length: 100 m
Baud rate	10/100 Mbit/s; 10Base-T/100Base-TX
Interface (serial)	RS-232/-485 (switchable)
Fieldbus	PROFIBUS DP Slave, CAN, CANopen
Protocols	DHCP, DNS, NTP, FTP, FTPS, SNMP, HTTP, HTTPS, SSH, MODBUS (TCP, UDP, RTU)
Programming	WAGO-I/O-PRO V2.3
IEC 61131-3	IL, LD, FBD, ST, FC
SD card slot	Push-push mechanism, sealable cover lid
Type of memory card	SD and SDHC up to 32 GB (All guaranteed properties are only valid in connection with the WAGO 758-879/000-001 memory card.)



Technical Data

Number of I/O modules (per node)	64
with bus extension	250
Input and output process image (max.)	
Internal data bus	1000 words
MODBUS	1000 words
PROFIBUS	244 bytes in 80 slots
CAN	2000 words
I/O interfaces (serial)	1 x serial interface per TIA/EIA 232 and TIA/EIA 485 (switchable), 9-pole D-sub female connector
Diagnostic LEDs	Power supply; SYS; RUN; FIELD BUS (MS, NS, CAN, DIA, BF); USER (U1 ... U4); Internal data bus
User LEDs	via CODESYS library
Program memory	16 MB
Data memory	64 MB
Non-volatile memory (retain)	128 Kbytes
Power supply	24 V DC (-25 % ... +30 %)
Max. input current (24 V)	550 mA
Total current for I/O modules (5 V)	1700 mA
Isolation	500 V system/supply

General Specifications

Dimensions (mm) W x H x L	112 x 65 x 100
	Height from upper-edge of DIN 35 rail
Weight	250 g
EMC: CE - immunity to interference	acc. to EN 61000-6-2 (2005)
EMC: CE - emission of interference	acc. to EN 61000-6-2 (2005)
EMC: marine applications	
- immunity to interference	pending
EMC: marine applications	
- emission of interference	pending
Degree of protection	IP20 acc. to DIN 60529
Type of mounting	DIN 35 rail
Housing material	PC
Ambient conditions	
Operating temperature	0 °C ... +55 °C
Storage temperature	-10 °C ... +85 °C
Relative air humidity (no condensation)	95 %
Altitude	
Operation	0 m ... 2000 m
Storage/transit	0 m ... 3000 m
Wire connection	CAGE CLAMP®
Cross sections	0.08 mm ² ... 2.5 mm ² / AWG 28 ... 14
Strip lengths	8 ... 9 mm / 0.33 in