

Reduced to the Essentials – WAGO's new 2065 Series SMD PCB Terminal Block

WAGO's latest innovation provides the industry's greatest termination capability in an ultra-compact footprint.

Just 2.7 mm tall, the 2065 Series SMD PCB Terminal Block features a compact design and accommodates conductors 0.2–0.75 mm² (24–18 AWG) for connecting all conductor sizes and types common to LED technology in space-restricted applications. This new compact design considerably reduces on-board shadowing, while providing engineers with additional freedom for designing LED modules and optical systems.

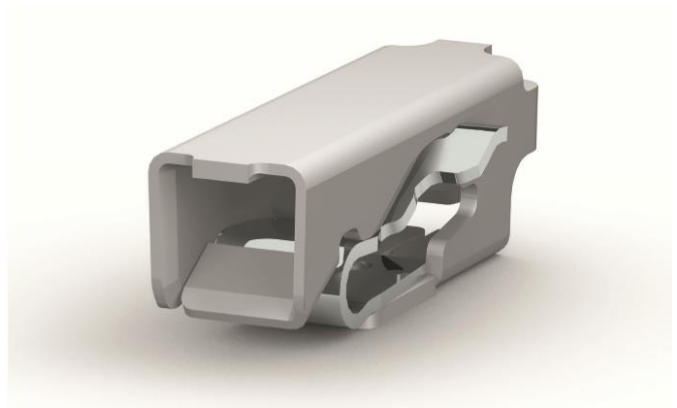
Because most LED applications (e.g., low-voltage applications or closed systems) do not require protection against accidental contact, the 2065 Series was designed without an insulated housing for an extremely low-profile design. The rated voltage is based on the single-pole terminal block configuration, and the 2065 Series is designed for a rated current up to 9 A.

Easy to Use

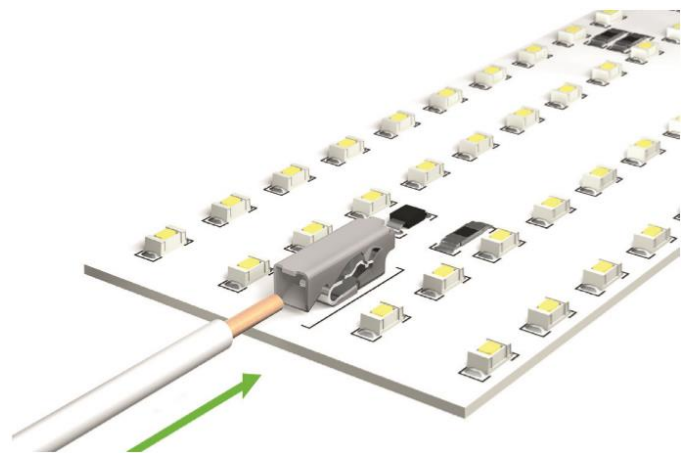
Industry-proven Push-in CAGE CLAMP® connection allows solid conductors to be terminated by simply pushing them into the unit. An operating tool makes opening the clamping unit easy when terminating fine-stranded conductors. The operating tool features an entry funnel, making conductor insertion easier. In addition to standard LED and chip-on-board module applications, the 2065 Series with its unique features can also be used beyond lighting applications to connect sensors and other devices, providing an appealing alternative to manual wire soldering in tight spaces.

PUSH WIRE® Models for Even More Space Savings

WAGO's 2065 Series is also available with PUSH WIRE® connection for solid conductors. These models have no push-buttons to make them even slimmer, allowing them to be arranged side-by-side – and even closer to each other – anywhere where only solid conductors are used



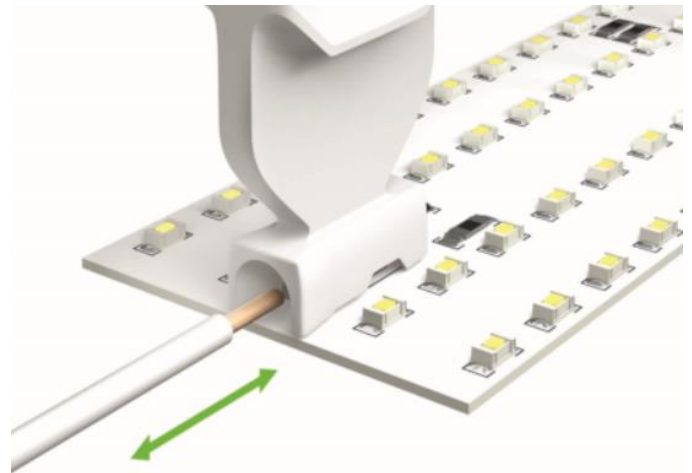
WAGO's new 2065 Series SMD PCB Terminal Block is just 2.7 mm tall and accommodates conductors ranging from 0.2–0.75 mm² (24–18 AWG).



WAGO's industry-proven Push-in CAGE CLAMP® enables solid conductors to be connected by simply pushing them in.

All in the Family – a Wide Variety of SMD Terminal Blocks

In addition to the 2065 Series, WAGO covers an extensive range of products with its 2059, 2060, 2061 and 297 Series PCB terminal blocks for SMD applications ranging from 0.14–1.5 mm² (26–16 AWG) conductor cross-section. All of WAGO's SMD PCB Terminal Blocks are available in tape-and-reel packaging for automated PCB assembly. This allows full integration into SMT assembly and manufacturing processes.



Fine-stranded conductors can be easily terminated by opening the clamping unit with an operating tool. The operating tool's funneled conductor entry securely guides the conductor into the terminal block.